

# Assembly Instructions

ROOMS



TO GO 

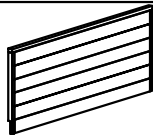



FRNR 1597/2596/5597-3 - QUEEN HEADBOARD - SKU#33315979/33325968/32355972  
 1597/2596/5597-7 - QUEEN FOOTBOARD - SKU#33715977/33725966/32755970  
 1597/2596/5597-9 - QN/KG RAILS - SKU#33915971/33925960/32955974

Thank you for purchasing this quality product. Be sure to check all packing material carefully for small parts, which may have come loose inside the carton during shipment. Identify and count all parts and compare with the HARDWARE LIST below.

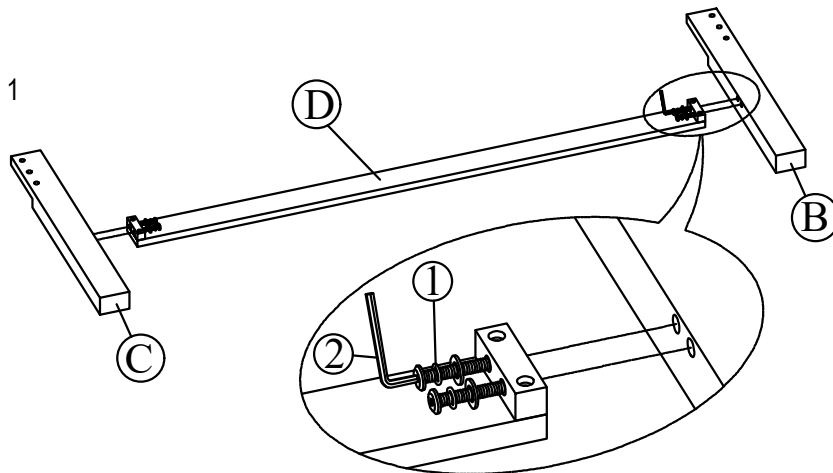
Caution: Please read instructions thoroughly before unpadding assembly parts.

1. We recommend that you assembly this product with the assistance of another person; this will make assembly easier, and will help to eliminate damage to the product or injury to persons during assembly.
2. Please to not over tighten screws or bolt until the assembly is completed.
3. Please put all parts on a non-abrasive floor before assembly, and follow the assembly steps to assemble your newly purchased product correctly and efficently.

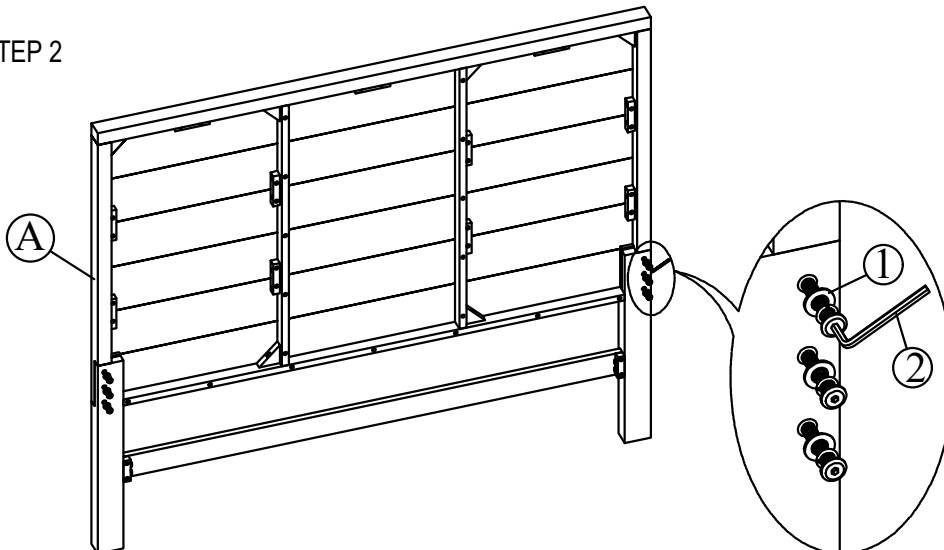
NO	Hardware List		Q'TY
1		Allen Bolt : Ø5/16"*18*45mm	10
		Spring washer : Ø5/16"*Ø14mm	10
		Flat washer : Ø5/16"*Ø18mm	10
2		Allen wrench : 4mm	1

NO	Part List		Q'TY
A		Headboard	1
B		Right Side Foot	1
C		Left Side Foot	1
D		Cross Bar	1

STEP 1



STEP 2



Made in VietNam

# Assembly Instructions

ROOMS



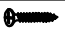
TO GO 

FRNR 1597/2596/5597-3 - QUEEN HEADBOARD - SKU#33315979/33325968/32355972  
 1597/2596/5597-7 - QUEEN FOOTBOARD - SKU#33715977/33725966/32755970  
 1597/2596/5597-9 - QN/KG RAILS - SKU#33915971/33925960/32955974







Thank you for purchasing this quality product. Be sure to check all packing material carefully for small parts, which may have come loose inside the carton during shipment. Identify and count all parts and compare with the **HARDWARE LIST** below.

Caution: Please read instructions thoroughly before unpadding assembly parts.

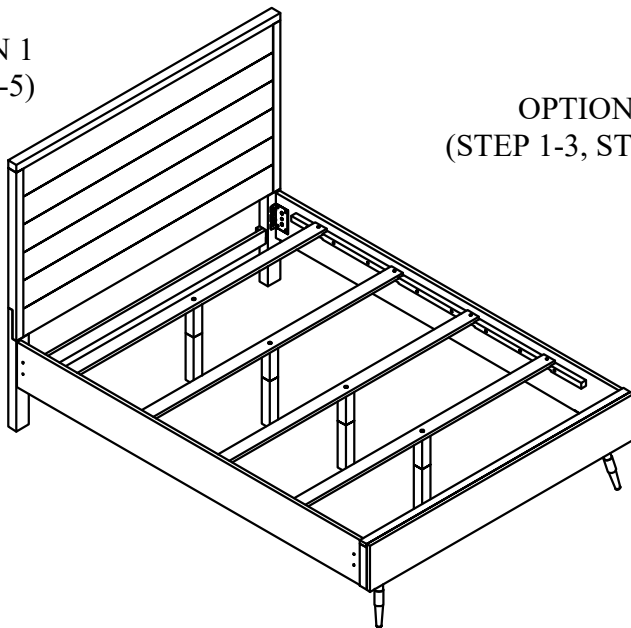
1. We recommend that you assembly this product with the assistance of another person; this will make assembly easier, and will help to eliminate damage to the product or injury to persons during assembly.
2. Please to not over tighten screws or bolt until the assembly is completed.
3. Please put all parts on a non-abrasive floor before assembly, and follow the assembly steps to assemble your newly purchased product correctly and efficently.

NO	Hardware List		Q'TY
1		Allen Bolt : Ø5/16"*18*30mm	6
		Spring washer : Ø5/16"*Ø14mm	6
		Flat washer : Ø5/16"*Ø18mm	6
2		Allen wrench : 4mm	1
3		Screw wood :Ø4x30mm	8

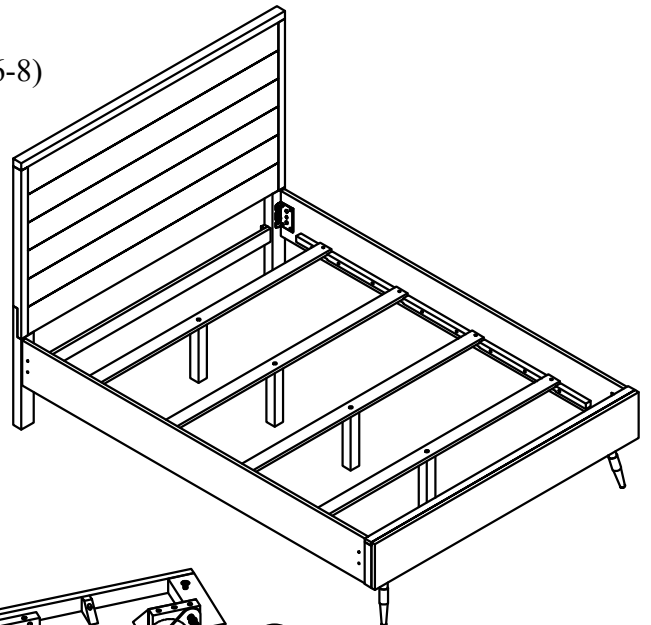
Tool Required: Philip screwdriver  
(not provided)

NO	Part List		Q'TY
A		Footboard	1
B		Set of Slats (4)	1 Set
C		Rails	2
D		Long Foots Supporter	4
E		Short Foots Supporter	4
F		Legs	2

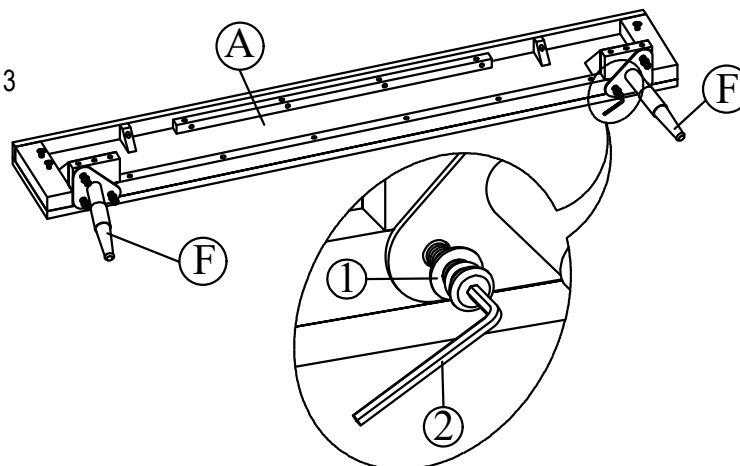
OPTION 1  
(STEP 1-5)



OPTION 2  
(STEP 1-3, STEP 6-8)



STEP 3



# Assembly Instructions

ROOMS

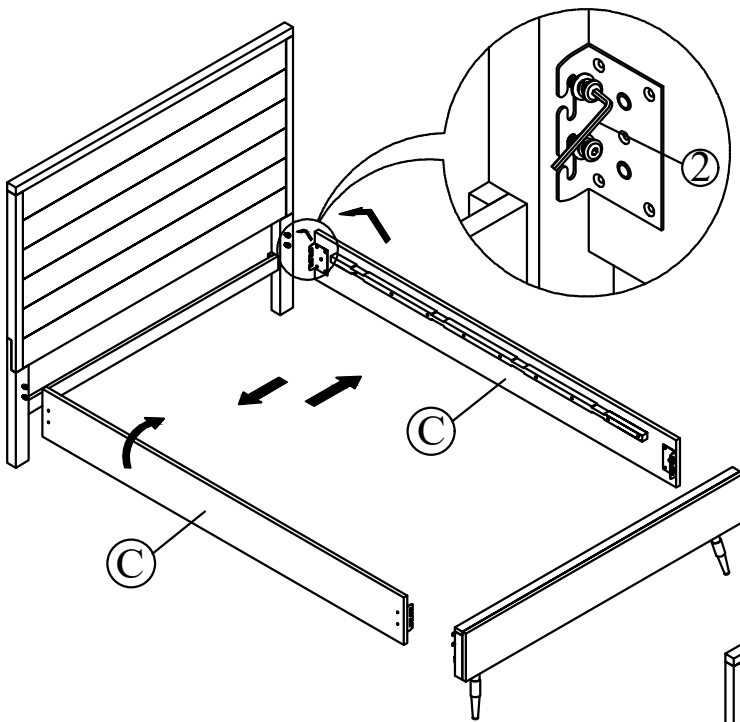
TO GO ▶

FRNR 1597/2596/5597-3 - QUEEN HEADBOARD - SKU#33315979/33325968/32355972  
1597/2596/5597-7 - QUEEN FOOTBOARD - SKU#33715977/33725966/32755970  
1597/2596/5597-9 - QN/KG RAILS - SKU#33915971/33925960/32955974

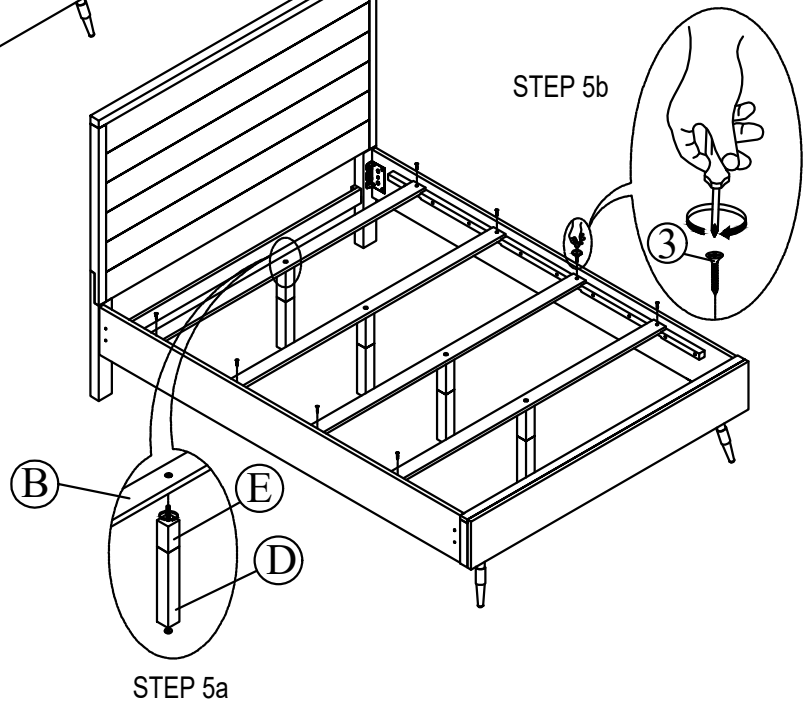
Thank you for purchasing this quality product. Be sure to check all packing material carefully for small parts, which may have come loose inside the carton during shipment. Identify and count all parts and compare with the HARDWARE LIST below.

Caution: Please read instructions thoroughly before unparking assembly parts.

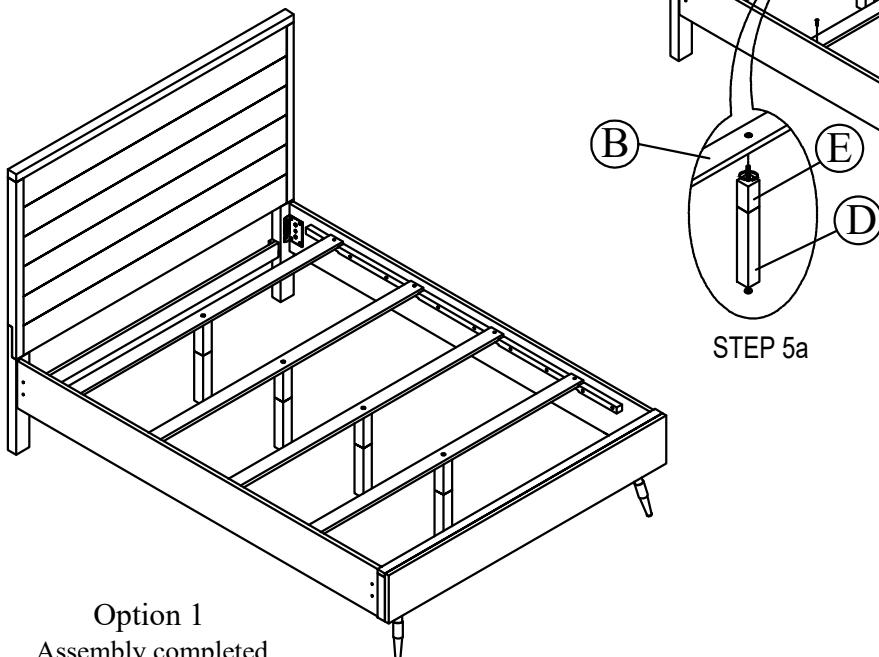
## STEP 4



## STEP 5b



## STEP 5a



Option 1  
Assembly completed

# Assembly Instructions

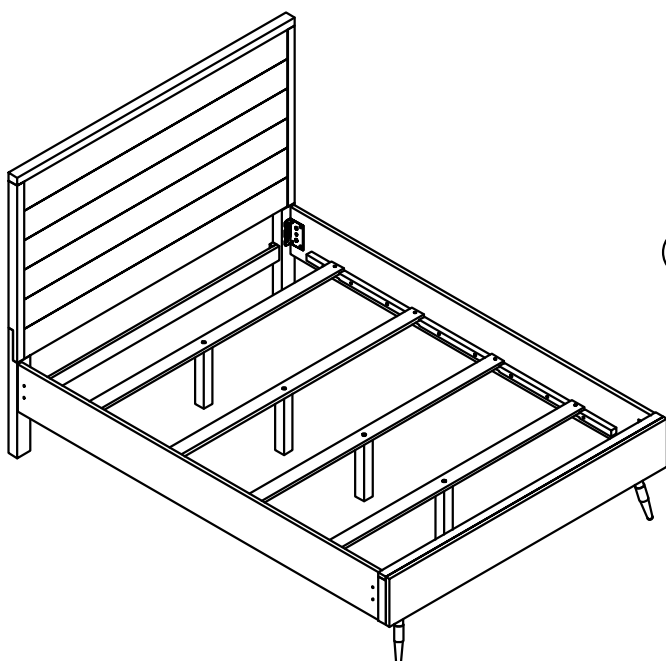
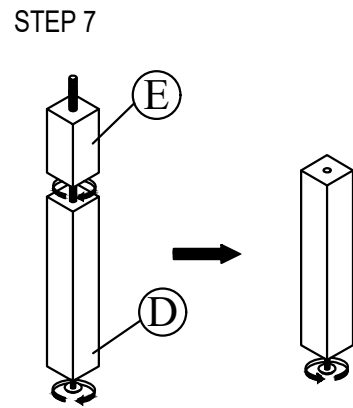
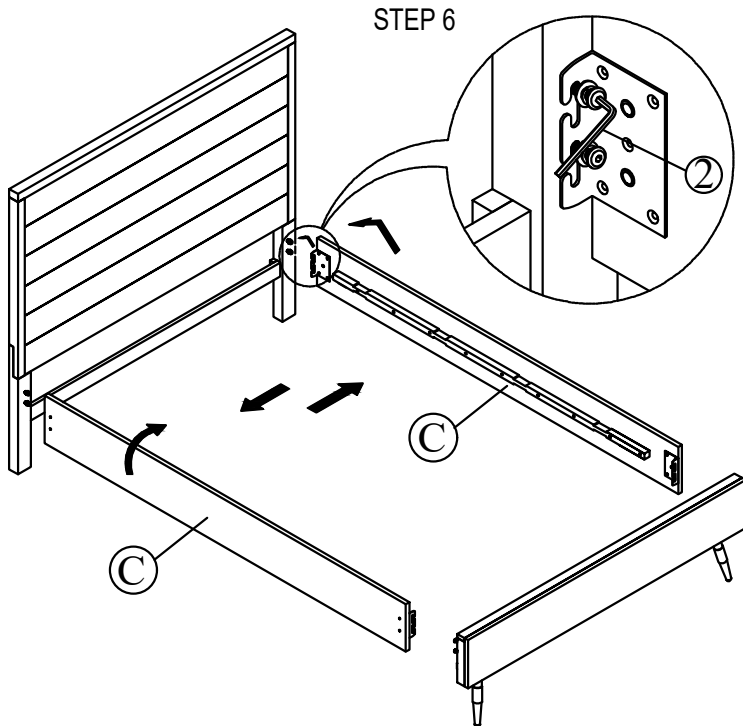
ROOMS

TO GO ▶

FRNR 1597/2596/5597-3 - QUEEN HEADBOARD - SKU#33315979/33325968/32355972  
1597/2596/5597-7 - QUEEN FOOTBOARD - SKU#33715977/33725966/32755970  
1597/2596/5597-9 - QN/KG RAILS - SKU#33915971/33925960/32955974

Thank you for purchasing this quality product. Be sure to check all packing material carefully for small parts, which may have come loose inside the carton during shipment. Identify and count all parts and compare with the **HARDWARE LIST** below.

Caution: Please read instructions thoroughly before unparking assembly parts.



Option 2  
Assembly completed

