



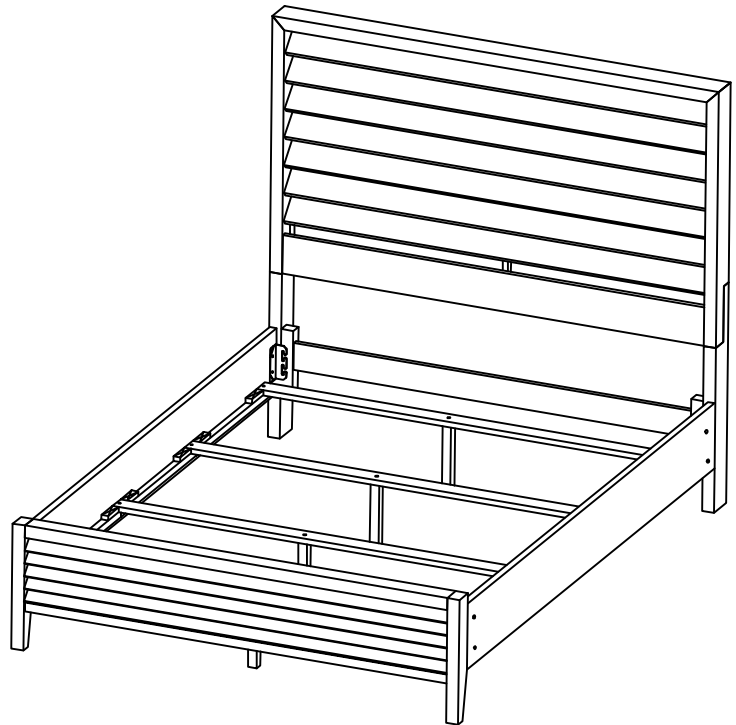
ASSEMBLY INSTRUCTIONS

RHHL 4744-210
 RHHL 4744-211
 RHHL 4744-930

QN HDBD
 QN PANEL FTBD
 QNKG RVS RA

SKU 32347444
 SKU 33747443
 SKU 32947446

Part list			
NO.	Drawing	Qty.	Description
P1		1	Headboard
P2		1	Headboard stretcher
P3		1	Headboard (L) leg
P4		1	Headboard (R) leg
P5		1	Footboard
P6		4	Slats
P7		2	Side rails
P8		4	Short support leg
P9		4	Long support leg



Hardware list			
NO.	Drawing	Qty.	Description
H1		8	Ø5/16" x 70mm L Bolt
		8	Ø5/16" x Ø12mm Spring washer
		8	Ø5/16" x Ø19mm Flat washer
H2		2	Ø5/16" x 38mm L Bolt
		2	Ø5/16" x Ø12mm Spring washer
		2	Ø5/16" x Ø19mm Flat washer
H3		1	Allen wrench (4mm)
H4		8	Screw (Ø8x25mm)



ASSEMBLY INSTRUCTIONS

RHHL 4744-210 QN HDBD
RHHL 4744-211 QN PANEL FTBD
RHHL 4744-930 QNKG RVS RA

SKU 32347444
SKU 33747443
SKU 32947446

*****Caution :** Please read all instructions carefully before starting the assembly process. These parts are cumbersome and heavy. Therefore, two people are recommended in order to prevent personal injury and insure the parts are not damaged during the assembly.

