

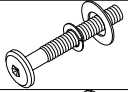
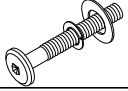

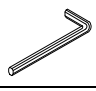
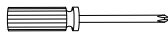
**ROOMS
TO GO**
LWYE ASSEMBLY INSTRUCTIONS
ON PNL HDBD / STRG FTB / RVS RAIL

 MODEL : 7450 / 7452
 / 7454

7450 / 7452 / 7454 - 140 / 182 / 142

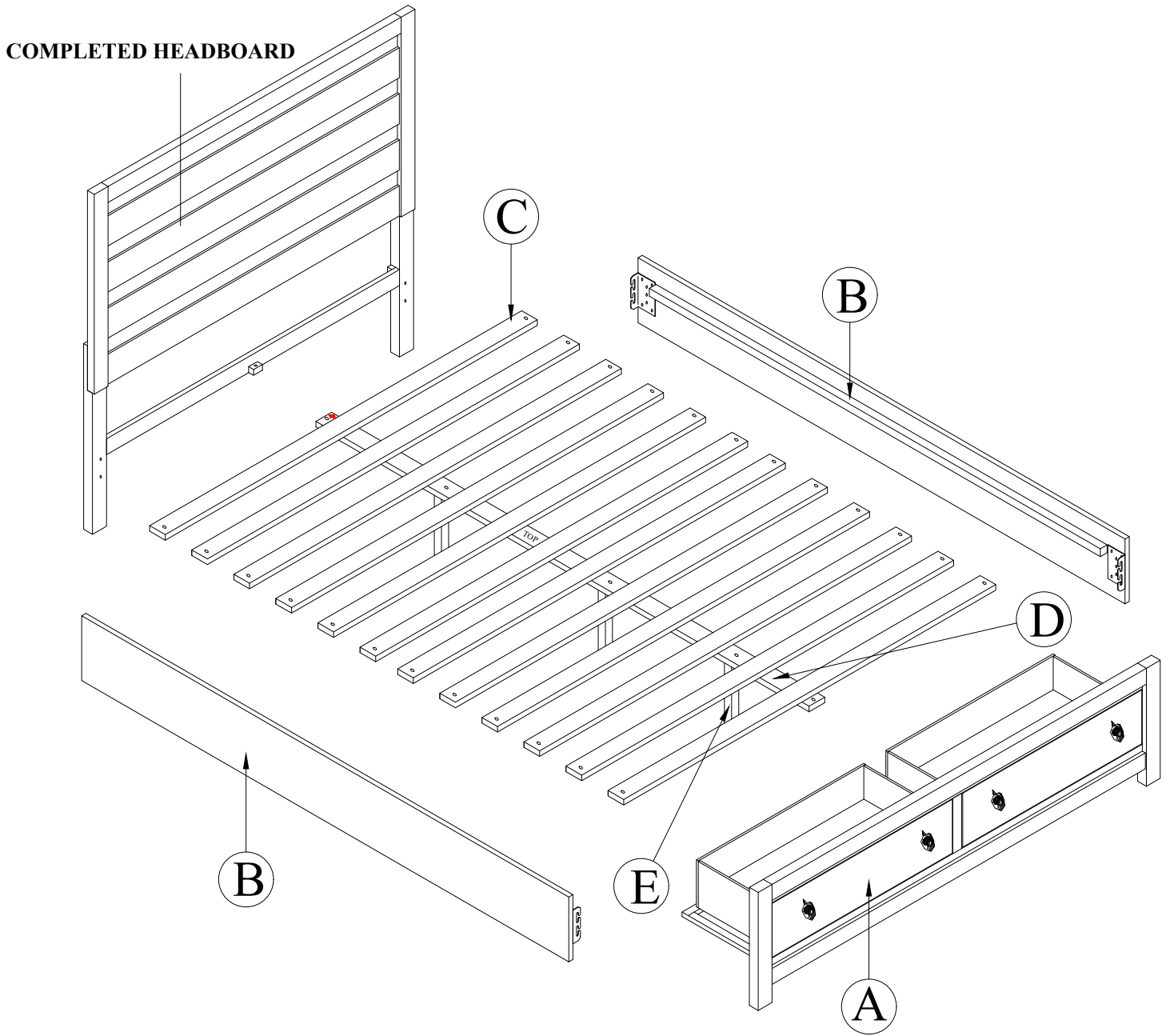
SKU # 32374504 / 32374528 / 32374542 / 33774503 / 33774527 / 33774541 / 32974506 / 32974520 / 32974544

Thank you for purchasing this quality product. Be sure to check all packing material carefully for small parts. Which may have come loose inside the carton during shipment. Identify and count all parts and compare with the hardware list below :

Hardware List	No.	Picture	Description	Dimension	Qty
	①		JCBB (M8) with washer	8 x P1.25 x 20mm	8 Pcs
	②		JCBB (M8) with washer	8 x P1.25 x 40mm	2 Pcs
	③		C.S.K Screw (M4)	4 x 32mm	24 Pcs
	④		Allen Wrench (M5)	5 x 65mm	1 Pc
	⑤		Screw Driver (*)		1 Pc

Parts List	No.	Description	Qty
	A	Footboard Storage	1 Pc
	B	Side Rail	2 Pcs
	C	Wooden Slat	12 Pcs
	D	Center Rail	1 Pc
	E	Wooden Slat Support	3 Pcs

Notes :	(*) The manufacturer does NOT provided Item 5.
----------------	--



PARTS DETAILS

NOTE :

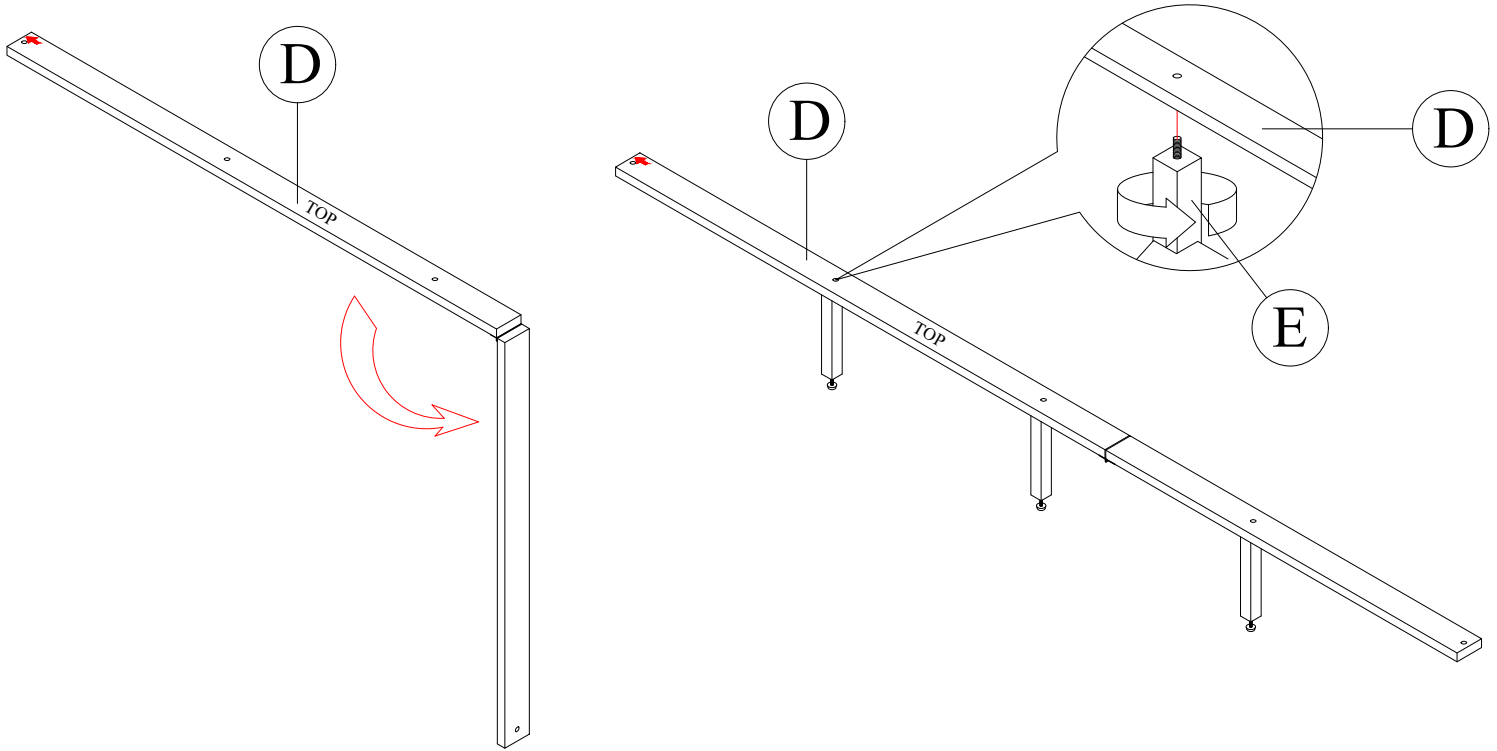
Assembly step

STEP 1

Flip up the center rail as shown

STEP 2

To assemble wooden slat support to center rail

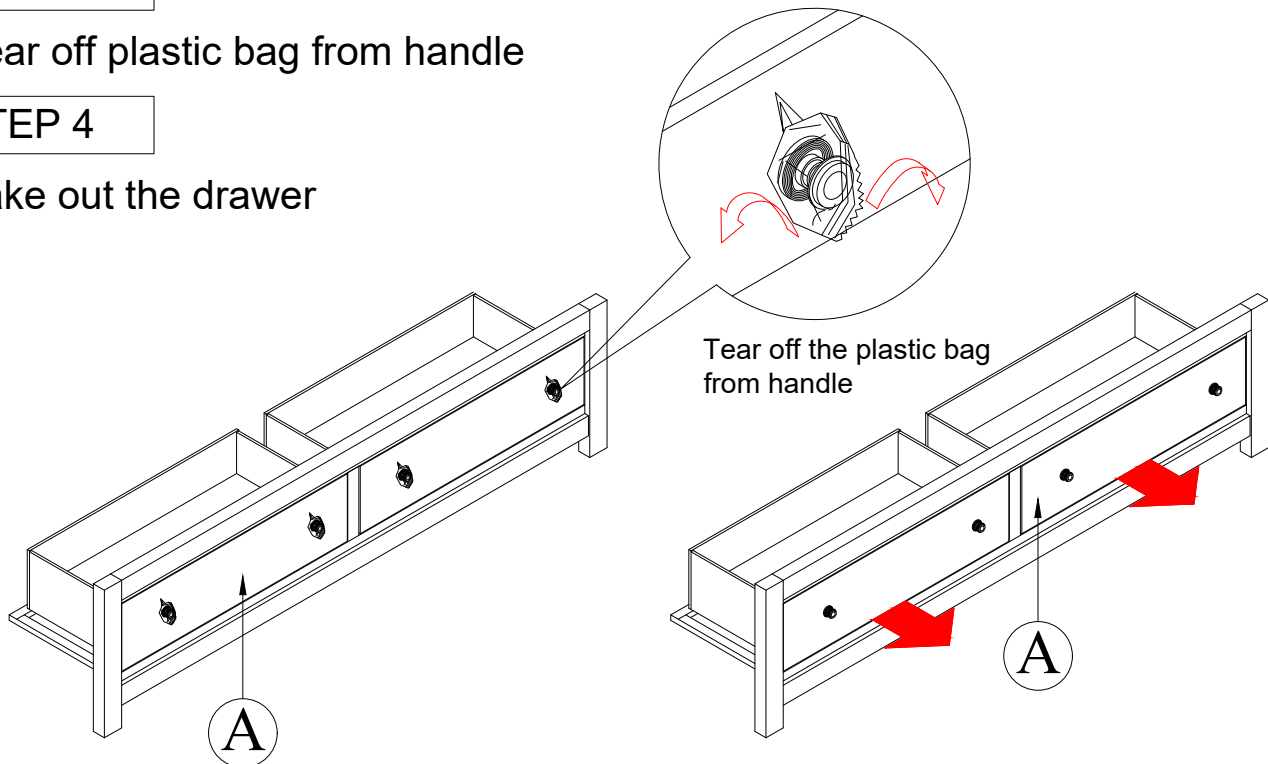


STEP 3

Tear off plastic bag from handle

STEP 4

Take out the drawer

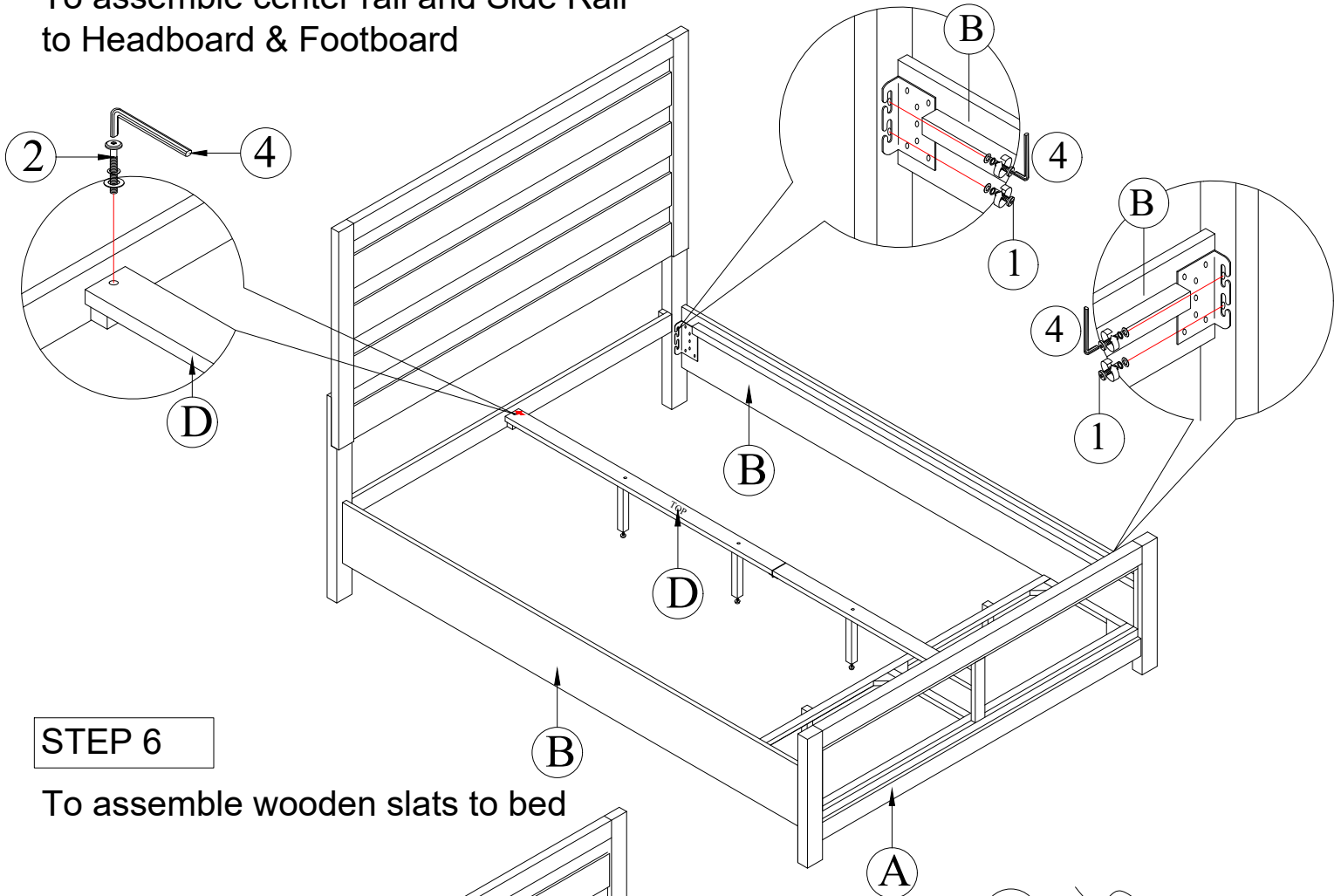


NOTE :

Assembly step

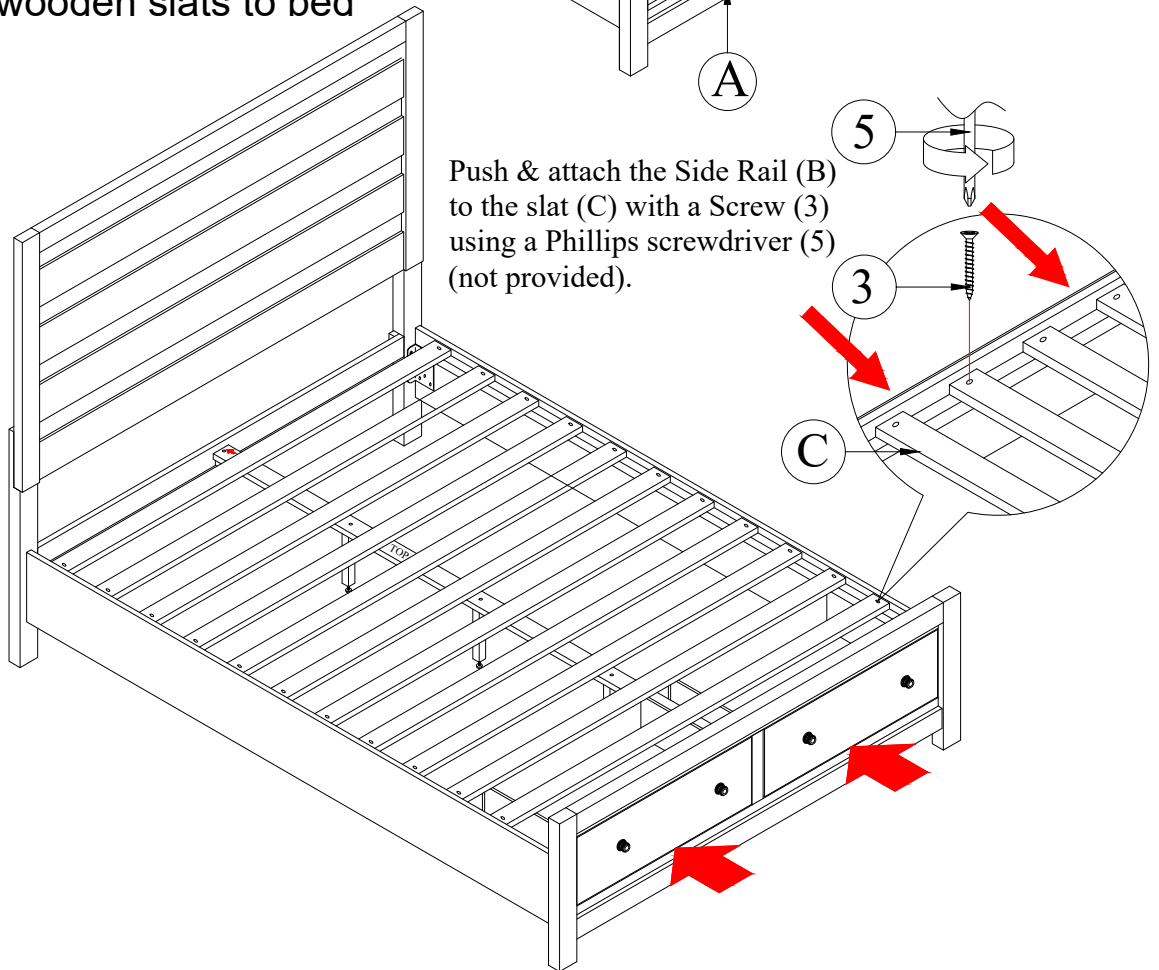
STEP 5

To assemble center rail and Side Rail to Headboard & Footboard



STEP 6

To assemble wooden slats to bed



Push & attach the Side Rail (B) to the slat (C) with a Screw (3) using a Phillips screwdriver (5) (not provided).

NOTE :