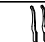


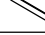

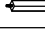
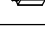



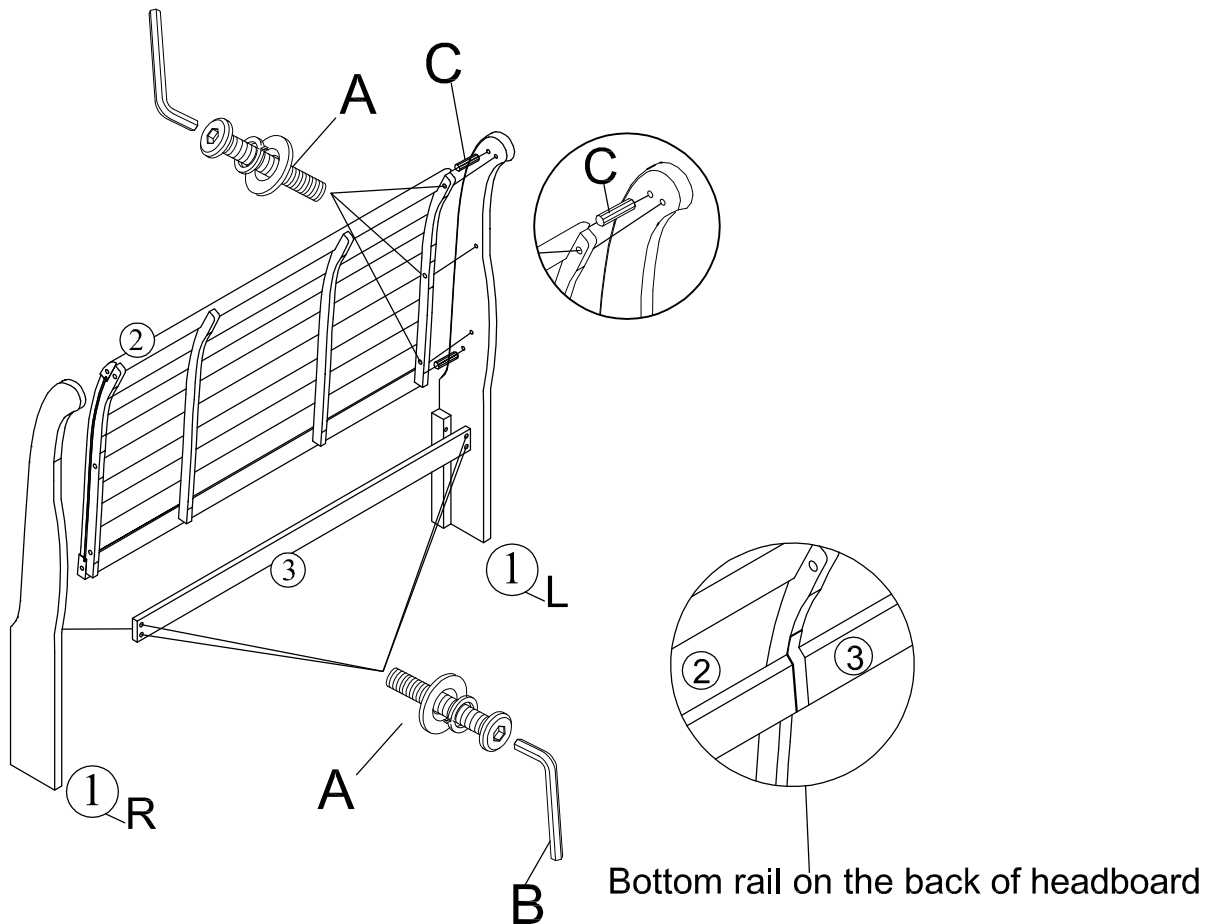
Caution: Please read instructions thoroughly before unpacking assembly parts. Sharp, exposed staple tips can cause injury, therefore, for your protection, please remove any exposed staple used in packing.

1. We recommend that you should assemble this product with the assistance of another person; this will make assembly easier, and will help to eliminate damage to the product or injury to persons during assembly.
2. Be sure to check all packing materials carefully for small parts that may have come loose inside the carton during shipment.
3. please do not over tighten screws or bolts.
4. Please put all parts on a non-abrasive floor before assembly, and follow the assembly steps to assemble your newly purchased product correctly and efficiently.

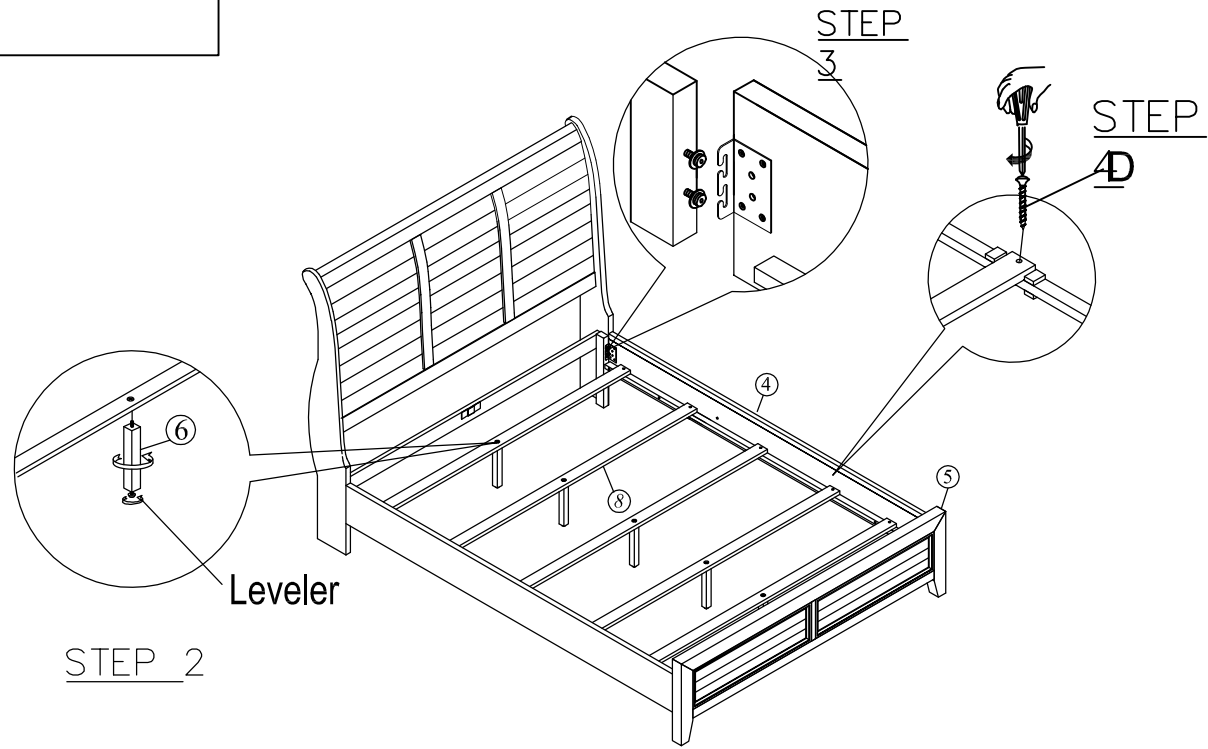
HARDWARE LISTS			
No.	OUTLOOK	SIZE	Q'TY
A		JCBC bolt 5/16"X18X38mm	10PCS
		Lock Washer 5/16"	10PCS
		Flat Washer 5/16"X19mmX1mm	10PCS
B		Allen Key	1PC
C		Wooden Dowel Ø10*30mm	4PCS
D		Wood Screw Ø8XØ4X1-1/4"	10PCS

PART LISTS			
①	Head board Leg (L&R)		2PCS
②	Head board panel		1PC
③	Head board bottom rail		1PC
④	Side rail		2PCS
⑤	Foot Board		1PC
⑥	Support legs for slat		5PCS
⑦	Extension Support legs for slat		5PCS
⑧	Slats		5PCS

STEP 1



OPTION 1



OPTION 2

