

C8466R-GX0 / C8466R-G10 / C8466R-BTN KING STORAGE BED

C8466R-QX0 / C8466R-Q10 / C8466R-BTN QUEEN STORAGE BED

Caution: Please read instructions thoroughly before unpacking assembly parts. Sharp, exposed staple tips can cause injury, therefore, for your protection, please remove any exposed staple used in packing.

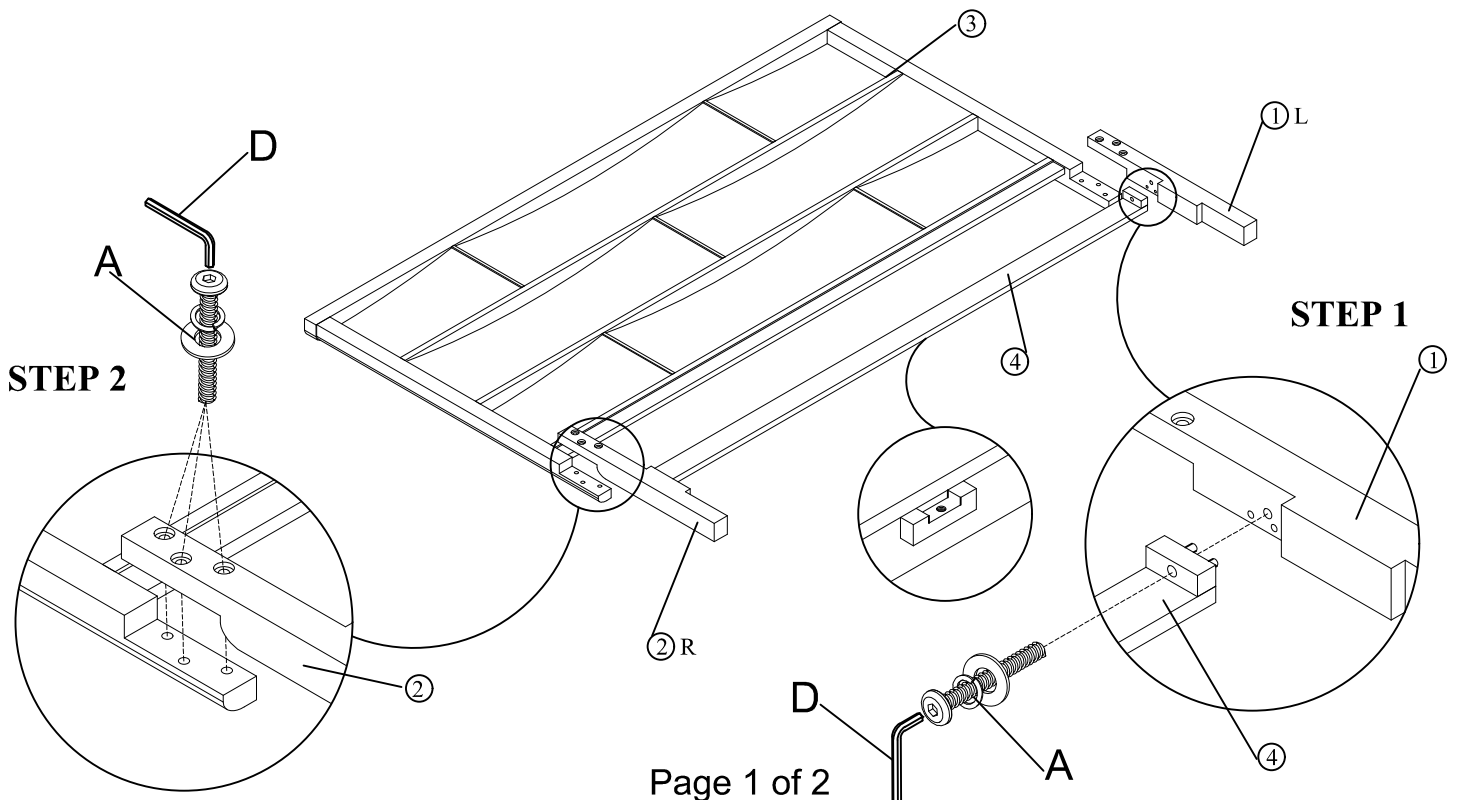
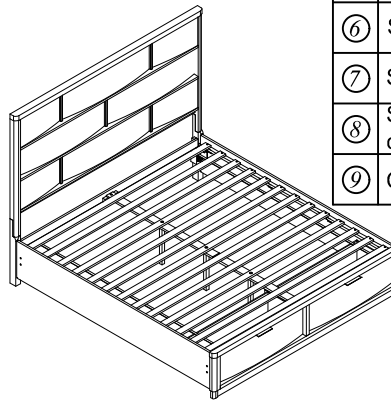
1. We recommend that you should assemble this product with the assistance of another person; this will make assembly easier, and will help to eliminate damage to the product or injury to persons during assembly.
2. Be sure to check all packing materials carefully for small parts that may have come loose inside the carton during shipment.
3. please do not over tighten screws or bolts.
4. Please put all parts on a non-abrasive floor before assembly, and follow the assembly steps to assemble your newly purchased product correctly and efficiently.

HARDWARE LISTS

No.	OUTLOOK	SIZE	Q'TY
A		JCBC bolt Ø5/16"X18X1-3/4"	8PCS
		Lock Washer Ø5/16"x1.5mm	8PCS
		Flat Washer Ø5/16"X19mmX1.5mm	8PCS
B		JCBC bolt Ø1/4"X20X2"	3PCS
		Lock Washer Ø1/4"x1.5mm	3PCS
		Flat Washer Ø1/4"X19mmX1.5mm	3PCS
C		JCBC bolt Ø1/4"X20X1"	2PCS
		Lock Washer Ø1/4"x1.5mm	2PCS
		Flat Washer Ø1/4"X19mmX1.5mm	2PCS
D		Allen Key	1PC
E		Wood Screw #4 x 1-1/4"L	26PCS
		The screwdriver is not included	

PART LISTS

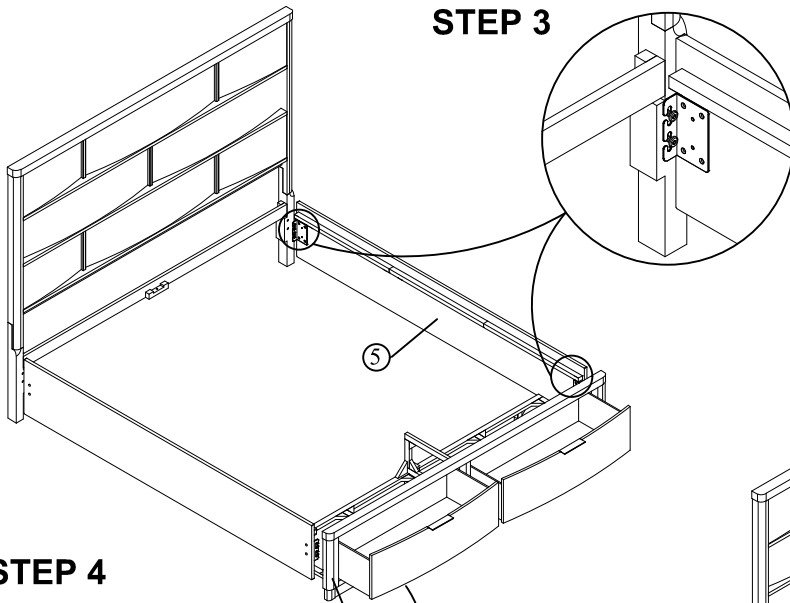
①	Head board Leg (L)		1PC
②	Head board Leg (R)		1PC
③	Head board panel		1PC
④	Head board bottom rail		1PC
⑤	Side rail		2PCS
⑥	Storage FootBoard		1PC
⑦	Slats		13PCS
⑧	Support legs for center rail and slat		3PCS
⑨	Center rail		1PC



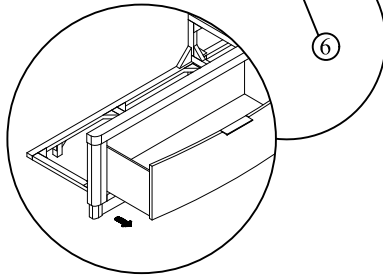
C8466R-GX0 / C8466R-G10 / C8466R-BTN KING STORAGE BED

C8466R-QX0 / C8466R-Q10 / C8466R-BTN QUEEN STORAGE BED

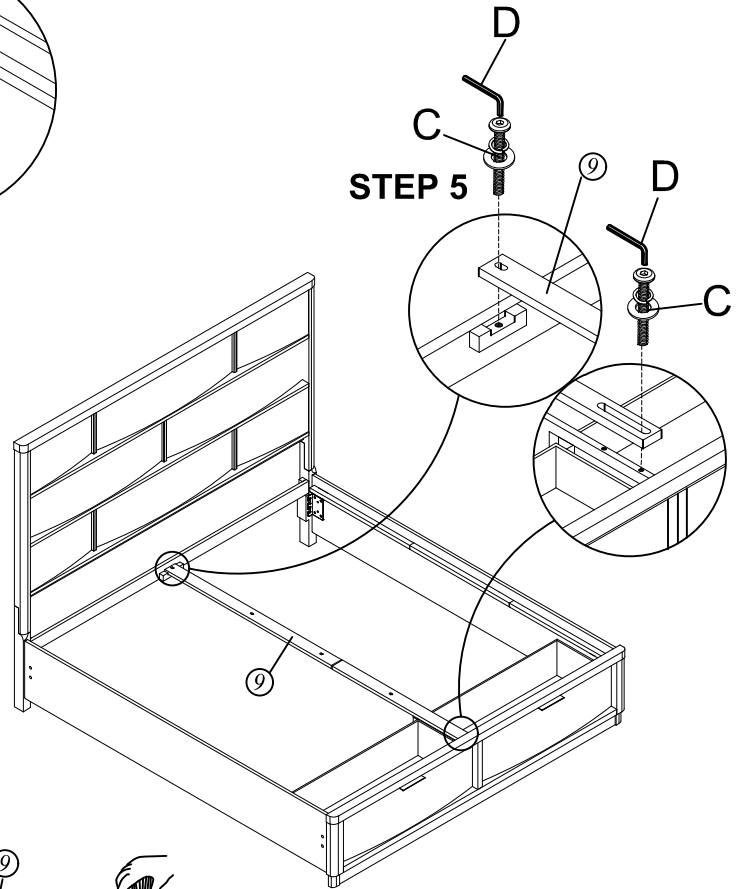
STEP 3



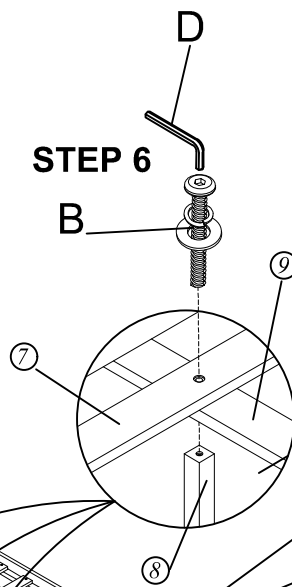
STEP 4



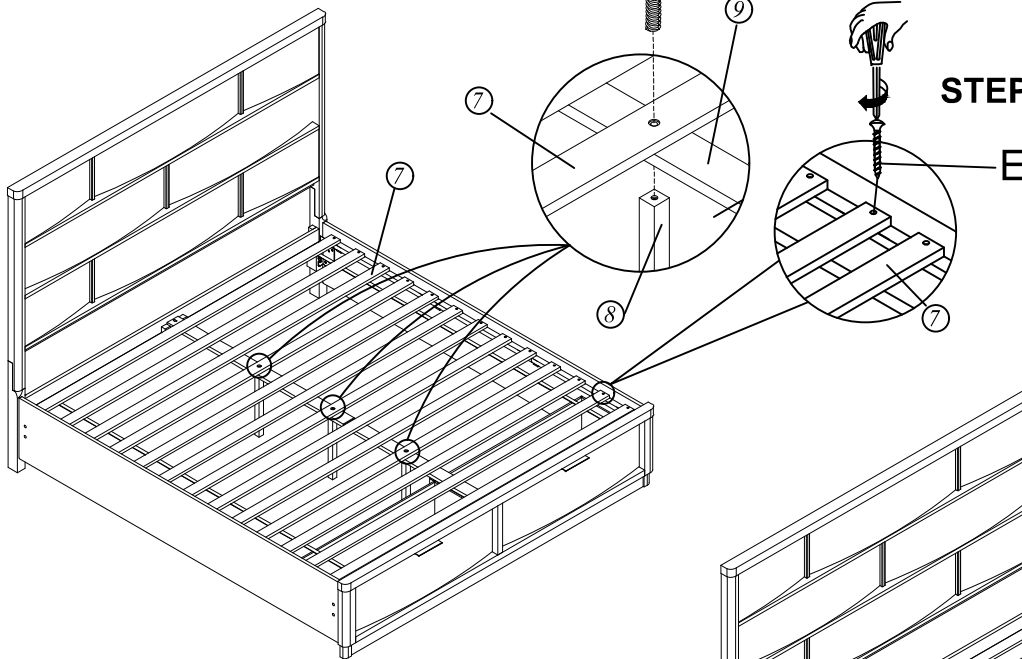
STEP 5



STEP 6



STEP 7



COMPLETE

