

ROOMS

TO GO ►

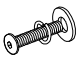

Assembly Instructions

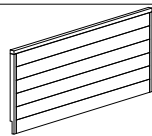



FRNR 1597-4 - KING HEADBOARD - SKU#33415971
1597-8 - KING FOOTBOARD - SKU#33815979
1597-9 - QN/KG RAILS - SKU#33915971

Thank you for purchasing this quality product. Be sure to check all packing material carefully for small parts, which may have come loose inside the carton during shipment. Identify and count all parts and compare with the HARDWARE LIST below.

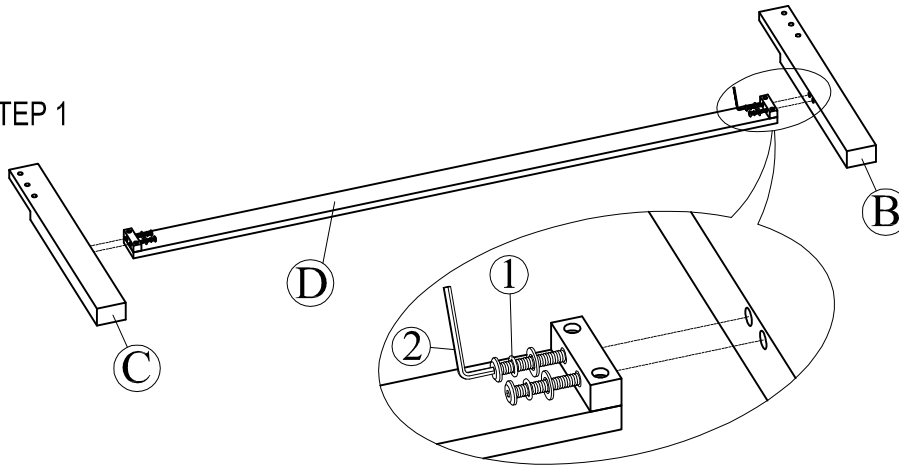
Caution: Please read instructions thoroughly before unboxing assembly parts.

1. We recommend that you assemble this product with the assistance of another person; this will make assembly easier, and will help to eliminate damage to the product or injury to persons during assembly.
2. Please do not over-tighten screws or bolts until the assembly is completed.
3. Please put all parts on a non-abrasive floor before assembly, and follow the assembly steps to assemble your newly purchased product correctly and efficiently.

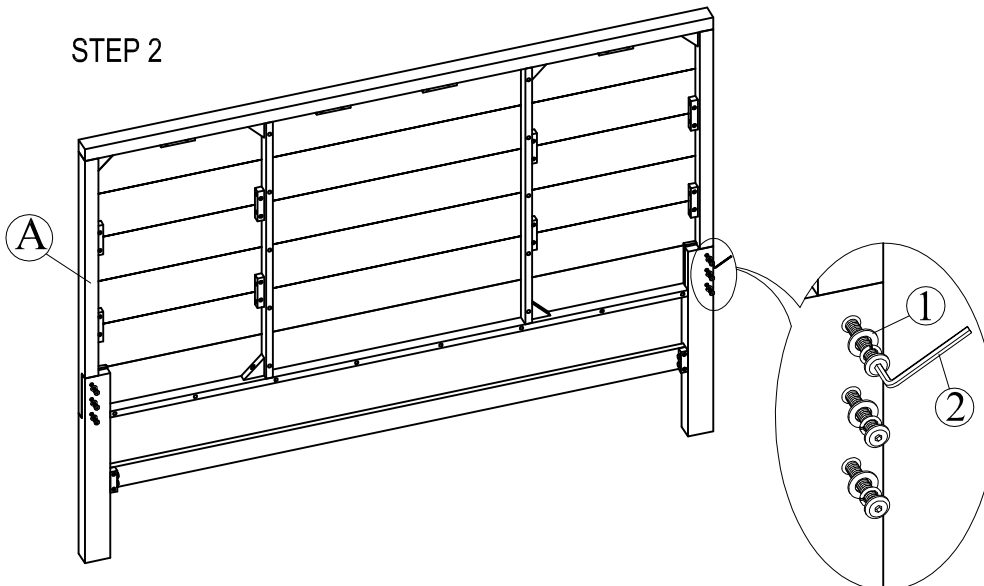
NO	Hardware List		Q'TY
1		Allen Bolt : Ø5/16"*18*45mm	10
		Spring washer : Ø5/16"*Ø14mm	10
		Flat washer : Ø5/16"*Ø18mm	10
2		Allen wrench : 4mm	1

NO	Part List		Q'TY
A		Headboard	1
B		Right Side Foot	1
C		Left Side Foot	1
D		Cross Bar	1

STEP 1



STEP 2



ROOMS TO GO ►

Assembly Instructions

FRNR 1597-4 - KING HEADBOARD - SKU#33415971
 1597-8 - KING FOOTBOARD - SKU#33815979
 1597-9 - QN/KG RAILS - SKU#33915971







Thank you for purchasing this quality product. Be sure to check all packing material carefully for small parts, which may have come loose inside the carton during shipment. Identify and count all parts and compare with the HARDWARE LIST below.

Caution: Please read instructions thoroughly before unboxing assembly parts.

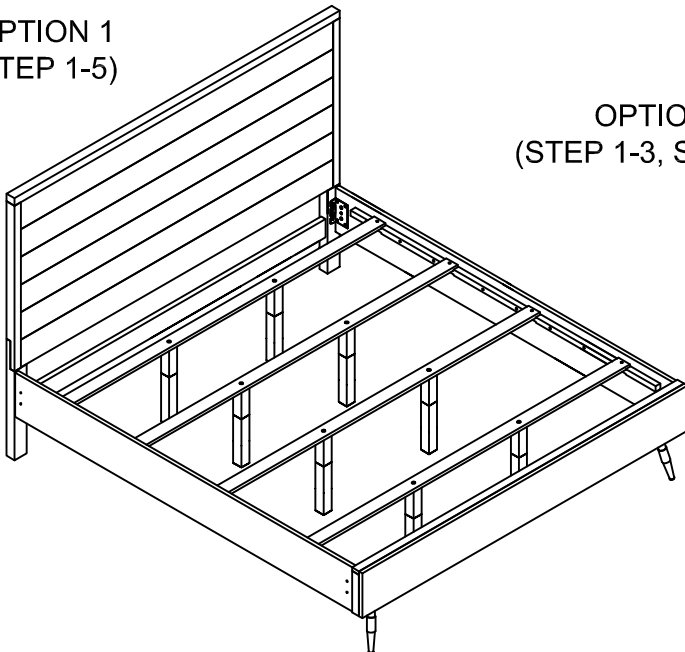
1. We recommend that you assemble this product with the assistance of another person; this will make assembly easier, and will help to eliminate damage to the product or injury to persons during assembly.
2. Please do not over-tighten screws or bolts until the assembly is completed.
3. Please put all parts on a non-abrasive floor before assembly, and follow the assembly steps to assemble your newly purchased product correctly and efficiently.

NO	Hardware List		Q'TY
1		Allen Bolt : Ø5/16"*18*30mm	6
		Spring washer : Ø5/16"*Ø14mm	6
		Flat washer : Ø5/16"*Ø18mm	6
2		Allen wrench : 4mm	1
3		Screw wood : Ø4x30mm	8

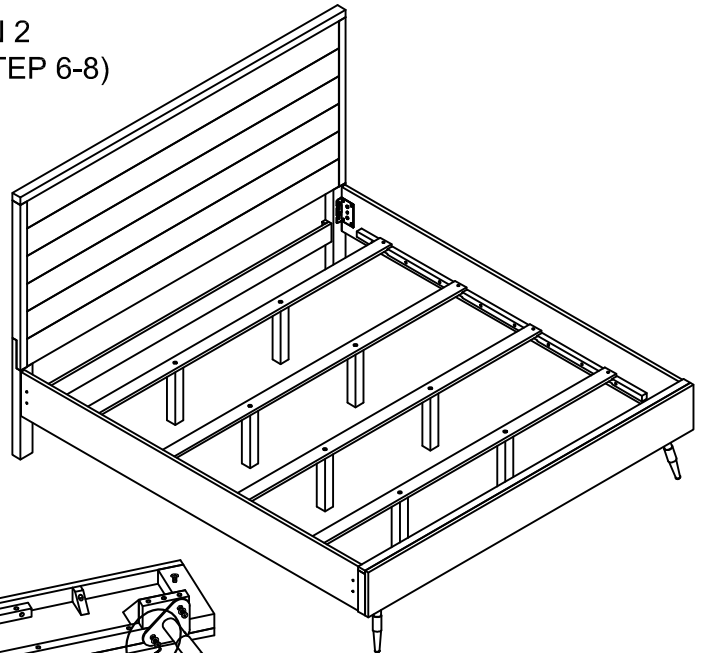
Tool Required: Philip screwdriver
(not provided)

NO	Part List		Q'TY
A		Footboard	1
B		Set of Slats (4)	1 Set
C		Rails	2
D		Long Feet Supporter	8
E		Short Feet Supporter	8
F		Legs	2

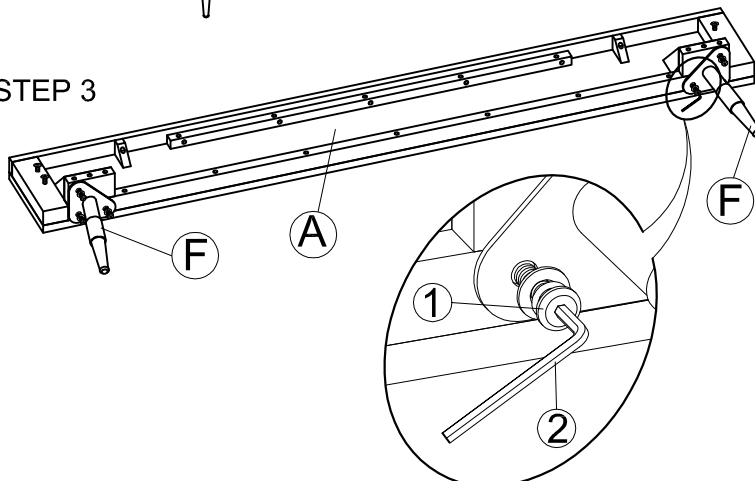
OPTION 1
(STEP 1-5)



OPTION 2
(STEP 1-3, STEP 6-8)



STEP 3



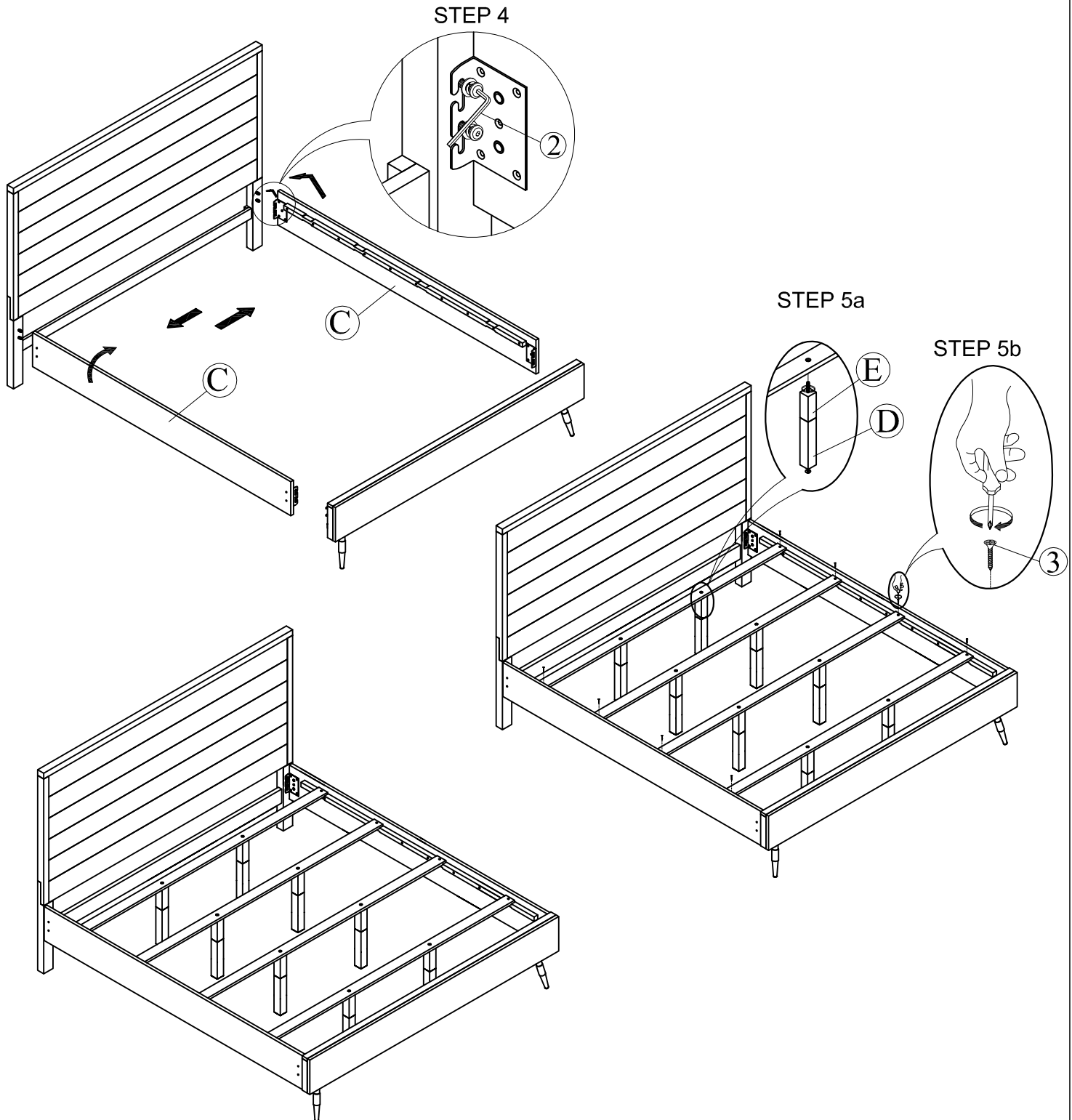
ROOMS
TO GO ►

Assembly Instructions

FRNR 1597-4 - KING HEADBOARD - SKU#33415971
1597-8 - KING FOOTBOARD - SKU#33815979
1597-9 - QN/KG RAILS - SKU#33915971

Thank you for purchasing this quality product. Be sure to check all packing material carefully for small parts, which may have come loose inside the carton during shipment. Identify and count all parts and compare with the HARDWARE LIST below.

Caution: Please read instructions thoroughly before unparking assembly parts.



Option 1
Assembly completed

Made in VietNam
Page 2 of 3

ROOMS
TO GO ►

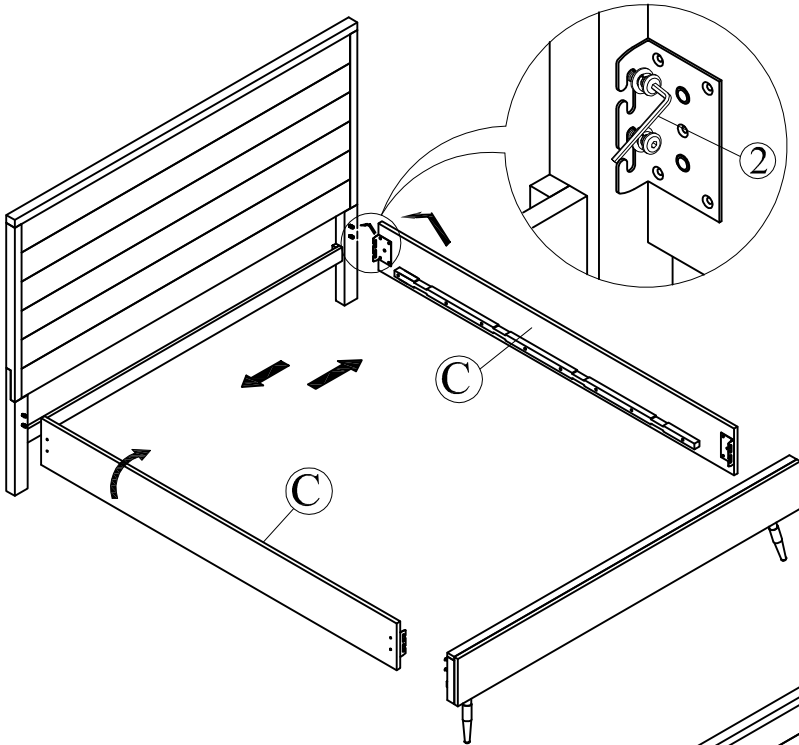
Assembly Instructions

FRNR 1597-4 - KING HEADBOARD - SKU#33415971
1597-8 - KING FOOTBOARD - SKU#33815979
1597-9 - QN/KG RAILS - SKU#33915971

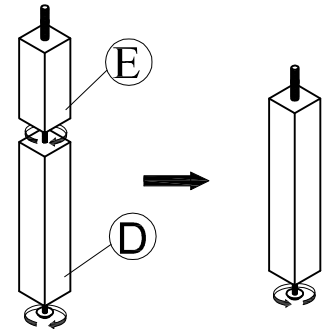
Thank you for purchasing this quality product. Be sure to check all packing material carefully for small parts, which may have come loose inside the carton during shipment. Identify and count all parts and compare with the **HARDWARE LIST** below.

Caution: Please read instructions thoroughly before unboxing assembly parts.

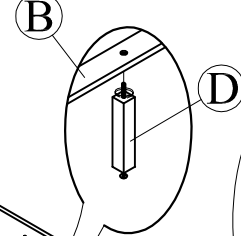
STEP 6



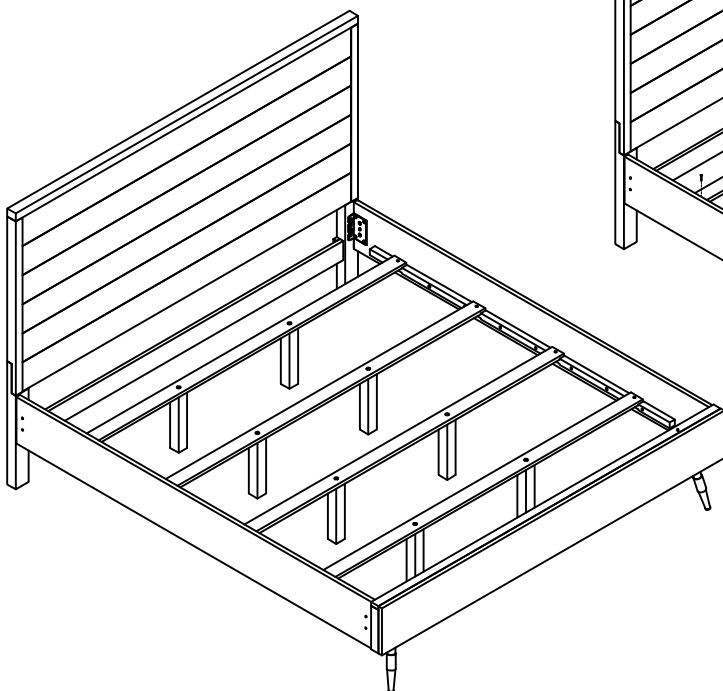
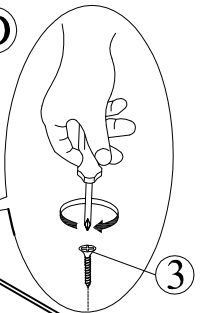
STEP 7



STEP 8a



STEP 8b



Option 2
Assembly completed

Made in VietNam
Page 3 of 3