



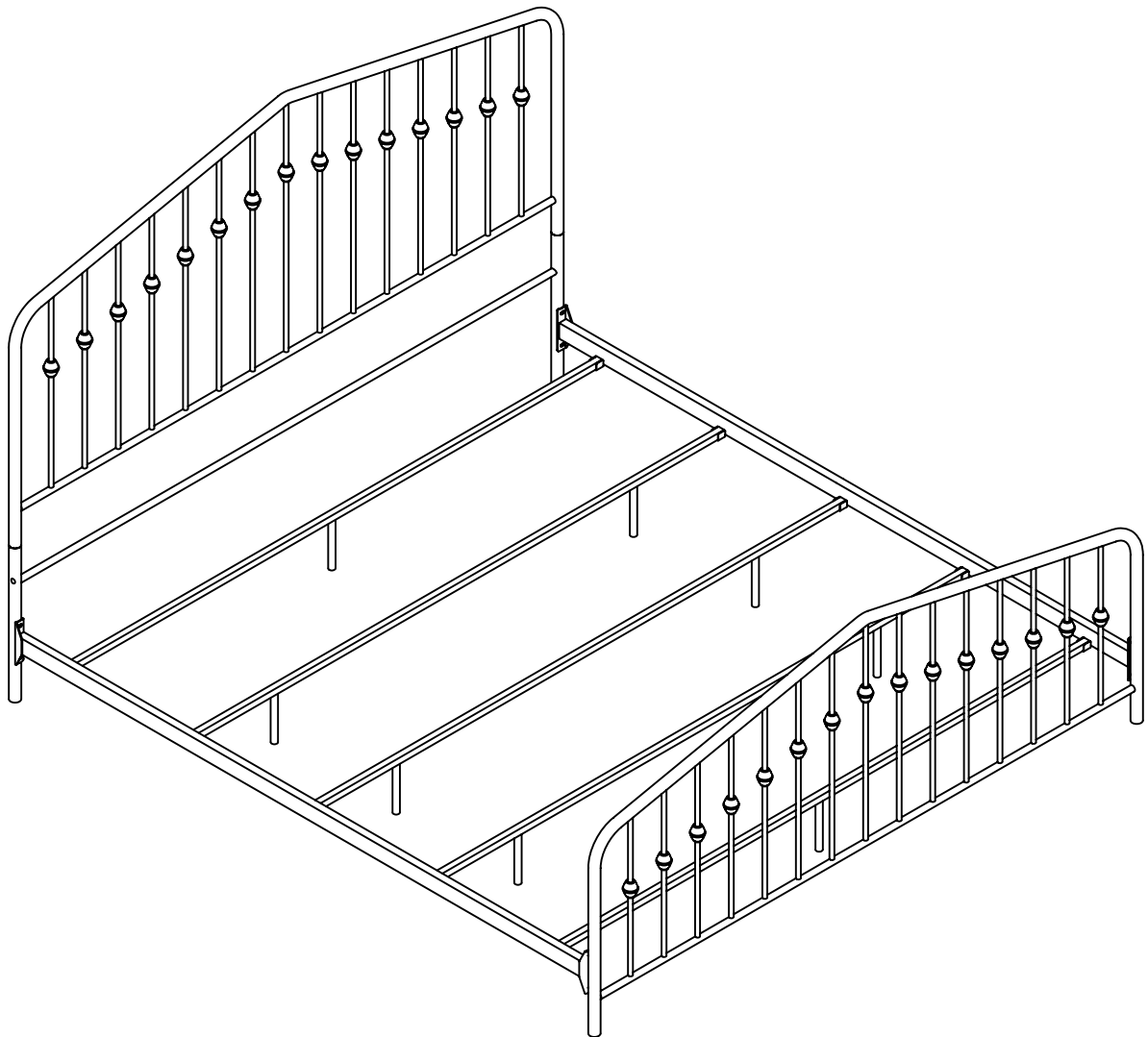
# Assembly Instructions

WRLW 1637B-HBC/1637W-HBC  
KING BED

Manufactured by WRLW for Rooms To Go

SKU#32416186/33416187

Thank you for purchasing this quality product. Be sure to check all packing material carefully for small parts, which may have come loose inside the carton during shipment. Identify and count all parts and compare with the Hardware List below.



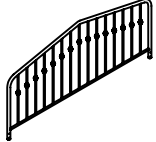
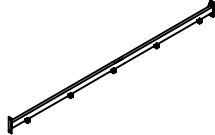
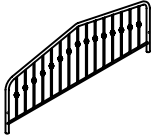
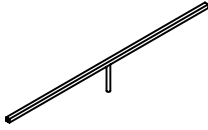

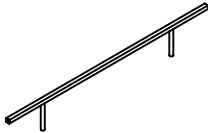
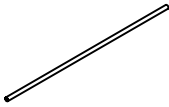
DO NOT USE SUBSTITUTE PARTS. PLEASE CONTACT YOUR RETAIL STORE OR [WWW.ROOMSTOGO.COM](http://WWW.ROOMSTOGO.COM)  
WITH SERVICE OR PARTS REPLACEMENT REQUEST

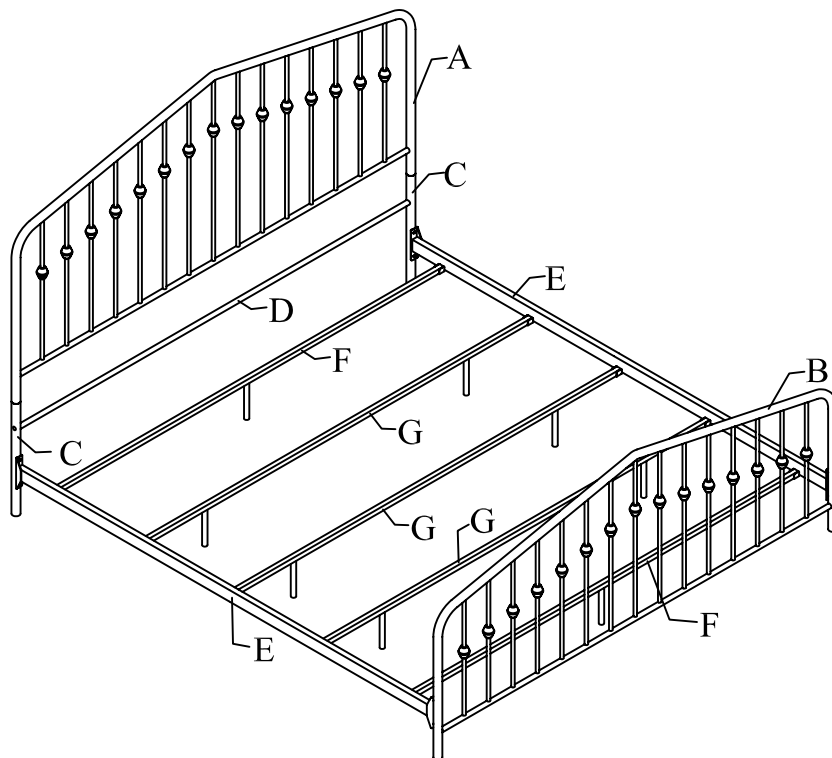


# Assembly Instructions

WRLW 1637B-HBC/1637W-HBC KING BED

SKU#32416186/33416187

32416186 BLACK / 3316387 WHITE KING BED							
NO.	PARTS LIST	IMAGE	QTY	NO.	PARTS LIST	IMAGE	QTY
A	Headboard		1	E	Side rail		2
B	Footboard		1	F	Slat 1		2
C	Leg		2	G	Slat 2		3
D	Cross bar		1				



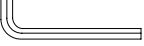










DO NOT USE SUBSTITUTE PARTS. PLEASE CONTACT YOUR RETAIL STORE OR [WWW.ROOMSTOGO.COM](http://WWW.ROOMSTOGO.COM) WITH SERVICE OR PARTS REPLACEMENT REQUEST



# Assembly Instructions

WRLW 1637B-HBC/1637W-HBC KING BED

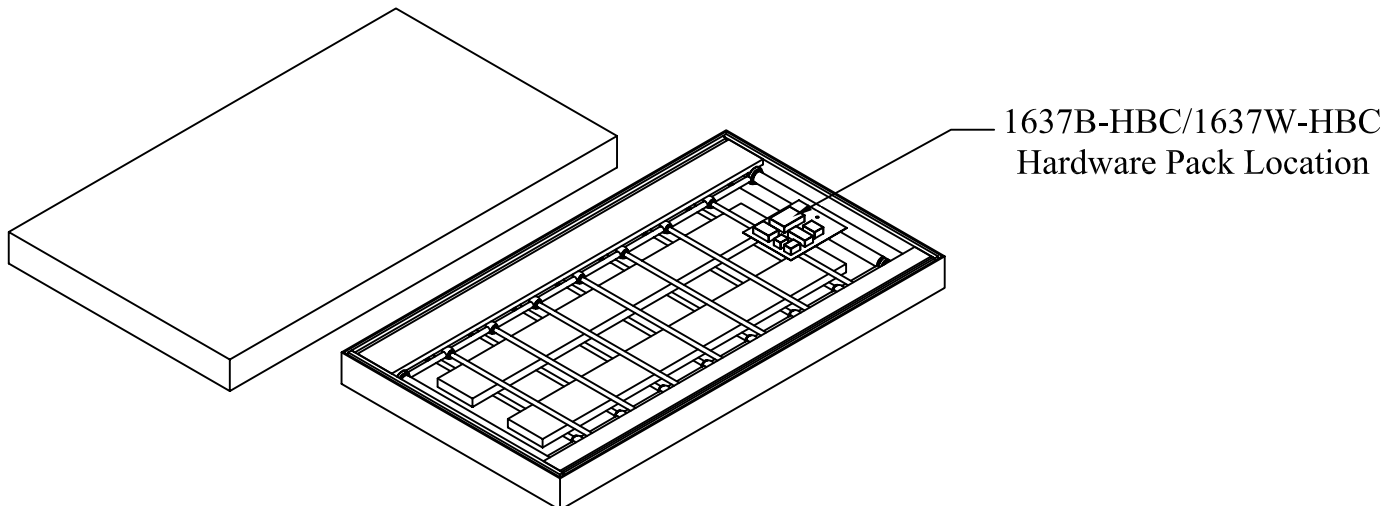
SKU#32416186/33416187

STEP	CODE	HARDWARE	Q'TY
	I	Allen Key 4x22x60mm 	1
	J	Wrench 11.3mm 	1
1	K	Bolt 1/4"x20x2" 	2
2	L	Bolt 1/4"x20x5/8" 	4
3	M	Bolt 1/4"x20x5/8" 	4
3	K	Bolt 1/4"x20x2" 	4
3	N	Flat Washer 1/4"xφ16mm 	4
3	O	Nut 1/4"x11mmx8mm 	4
3	P	Plastic Washer 1/4"xφ12mm 	4
4	M	Bolt 1/4"x20x5/8" 	4
5	M	Bolt 1/4"x20x5/8" 	6

1. We recommend that you should assemble this product with the assistance of another person; this will make assembly easier and will eliminate damage to the product or injury to persons during assembly.
2. Please do not over tighten screws or bolts until assembly is complete.
3. Please put all parts on a non-abrasive floor before assembly, and follow assembly steps to assemble your newly purchased product correctly and efficiently.

## Hardware Pack Location

SKU NO	STYLE NO	DESCRIPTION
32416186	1637B-HBC	KING BED
33416187	1637W-HBC	KING BED



DO NOT USE SUBSTITUTE PARTS. PLEASE CONTACT YOUR RETAIL STORE OR [WWW.ROOMSTOGO.COM](http://WWW.ROOMSTOGO.COM) WITH SERVICE OR PARTS REPLACEMENT REQUEST



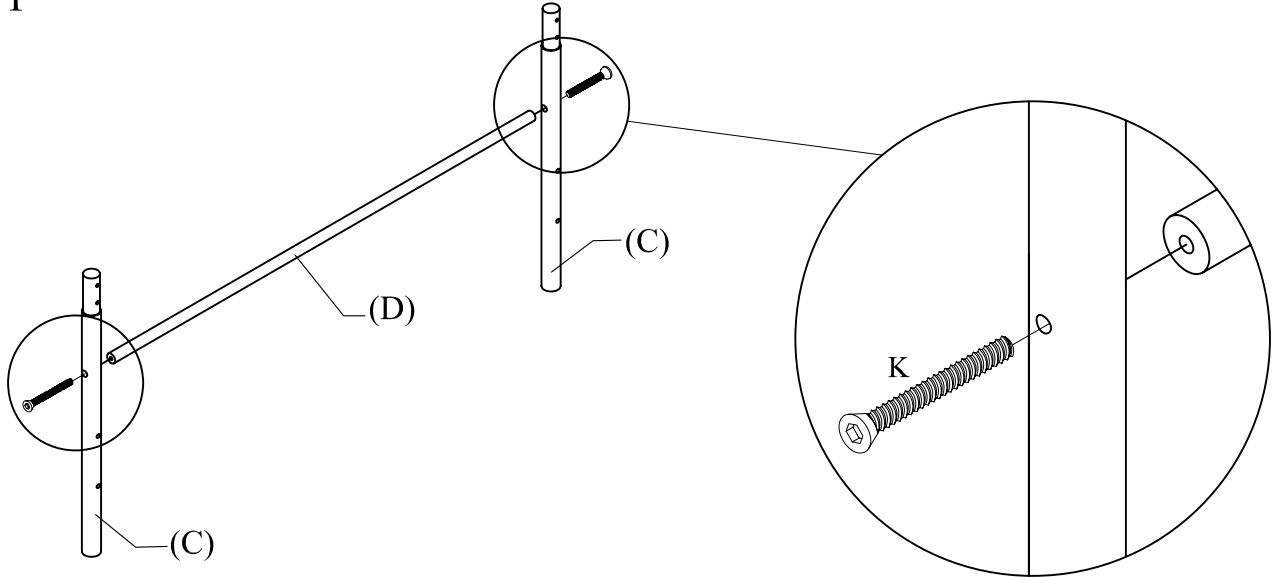
# Assembly Instructions

WRLW 1637B-HBC/1637W-HBC KING BED

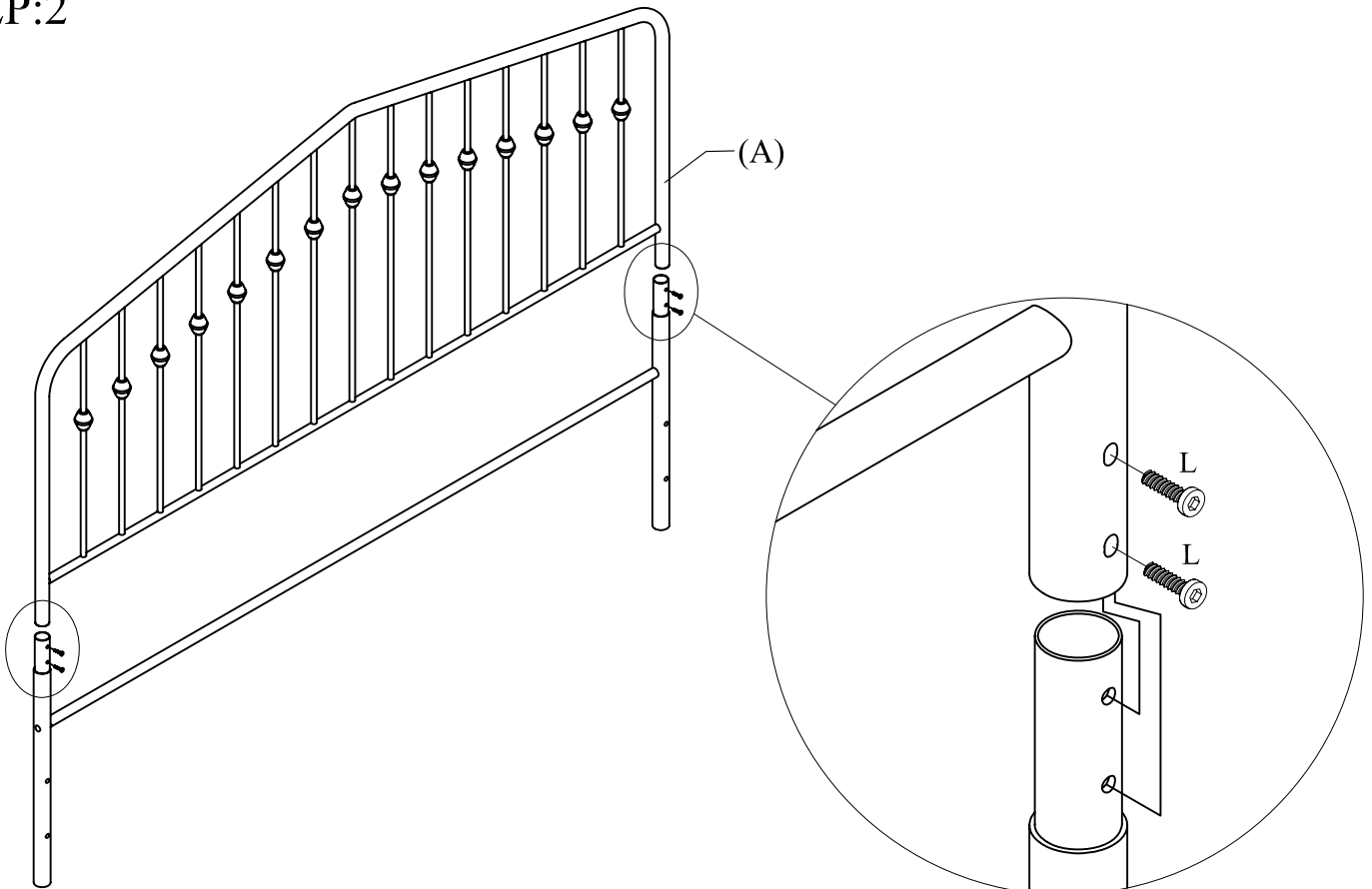
SKU#32416186/33416187

\*\*\* Caution : Please read all instructions carefully before starting the assembly process. These parts are cumbersome and heavy. Therefore, two people are recommended in order to prevent personal injury and insure the parts are not damaged during the assembly.

## STEP:1

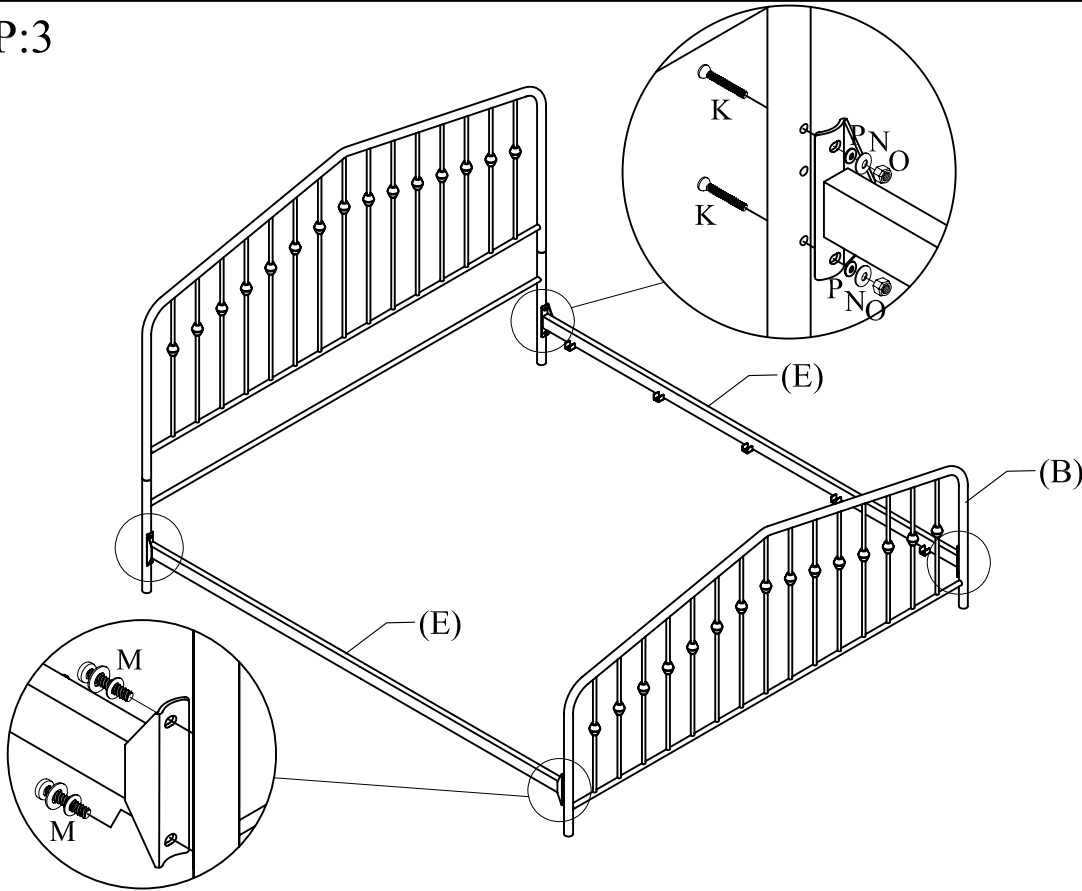


## STEP:2

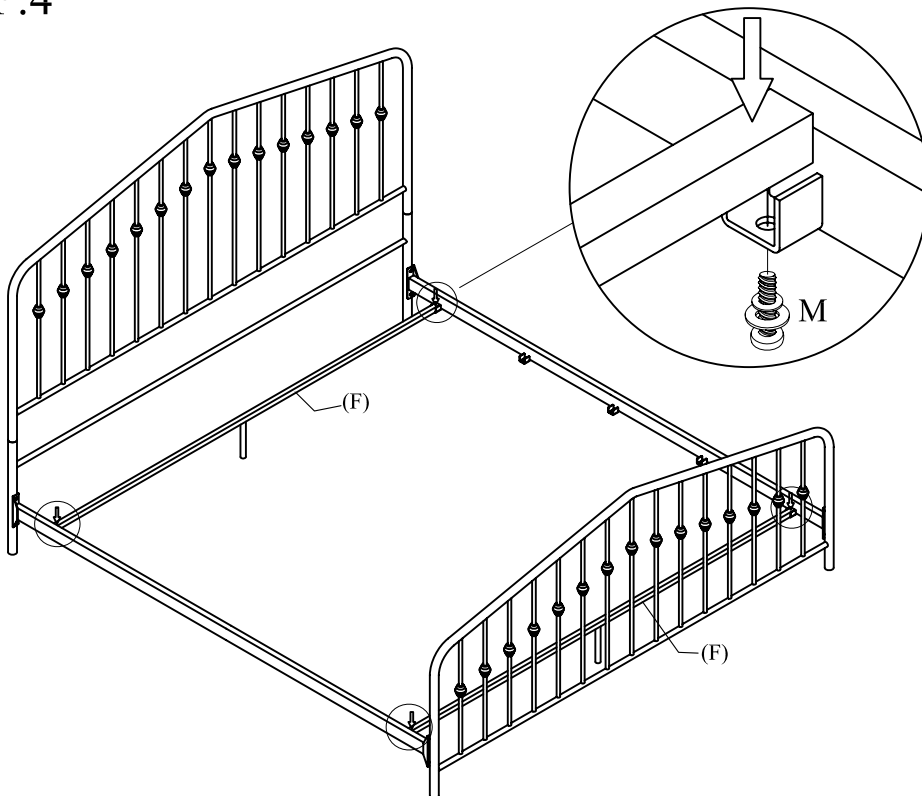


DO NOT USE SUBSTITUTE PARTS. PLEASE CONTACT YOUR RETAIL STORE OR [WWW.ROOMSTOGO.COM](http://WWW.ROOMSTOGO.COM) WITH SERVICE OR PARTS REPLACEMENT REQUEST

## STEP:3

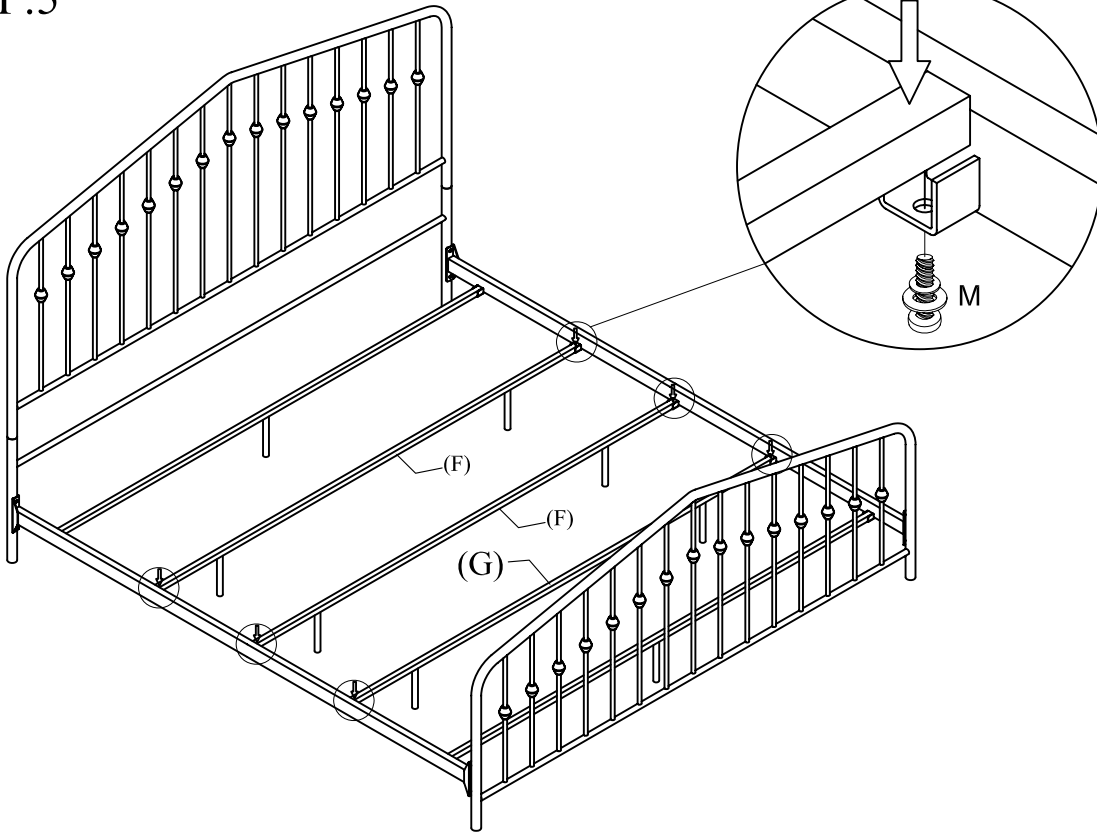


## STEP:4

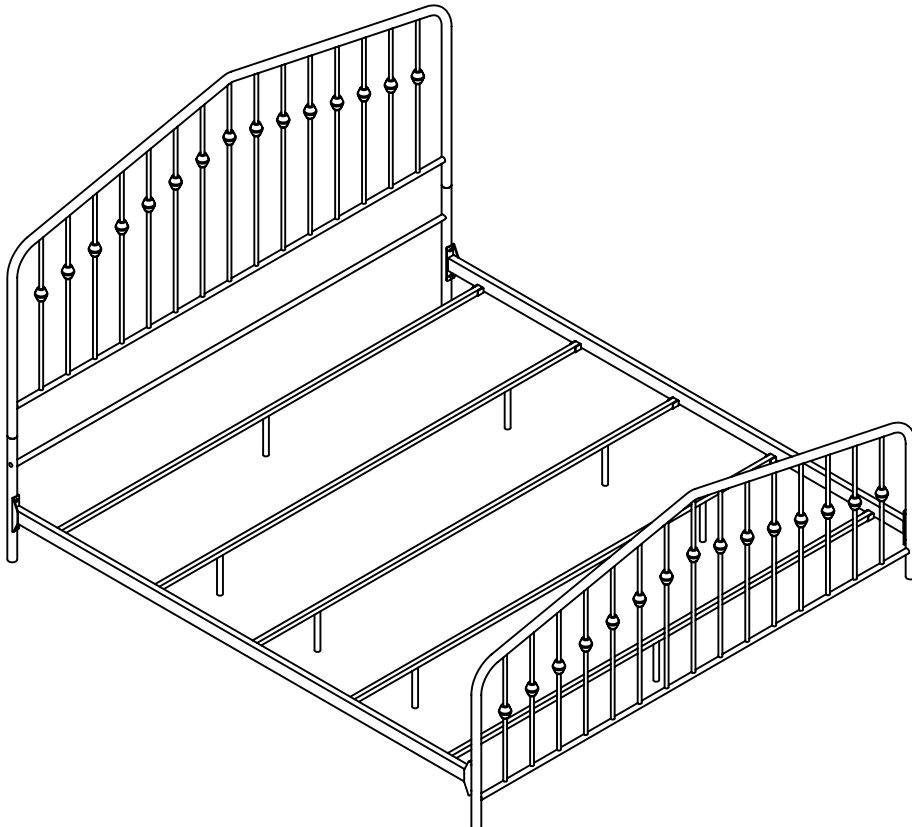


DO NOT USE SUBSTITUTE PARTS. PLEASE CONTACT YOUR RETAIL STORE OR [WWW.ROOMSTOGO.COM](http://WWW.ROOMSTOGO.COM) WITH SERVICE OR PARTS REPLACEMENT REQUEST

## STEP:5



## STEP:6



DO NOT USE SUBSTITUTE PARTS. PLEASE CONTACT YOUR RETAIL STORE OR [WWW.ROOMSTOGO.COM](http://WWW.ROOMSTOGO.COM) WITH SERVICE OR PARTS REPLACEMENT REQUEST