







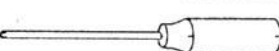


ASSEMBLY INSTRUCTIONS

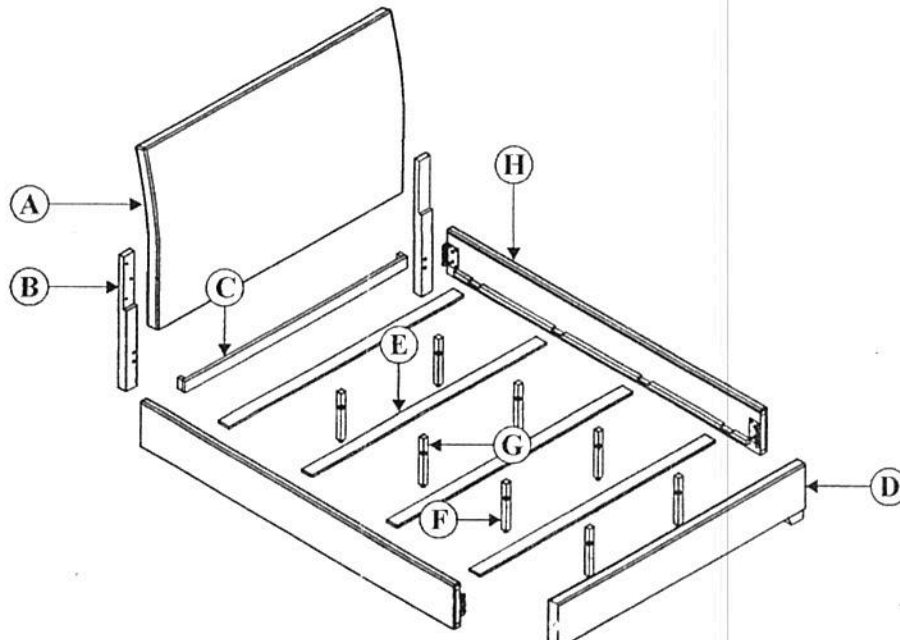
FINY 3309-4 : KG WEAVE HDBD # SKU 33433094
 FINY 3309-8 : KG WEAVE FTBD # SKU 33833092
 FINY 3309-9 : KG RVS WEAVE # SKU 33933094

Thank you for purchasing this quality product. Be sure to check all packing material carefully for small parts. Which may have come loose inside the carton during shipment. identify and count all parts and compare with the hardware List below.

	No.	Description	Qty
Headboard	A	Headboard	1 Pc
	B	Legs (L - R)	2 Pcs
	C	Stretcher	1 pc
Footboard	D	Footboard	1 Pc
	E	Slats	4 Pcs
	F	Regular Leg Supports	8 Pcs
	G	Storage Leg Supports	8 Pcs
Siderail	H	Siderails	2 Pcs

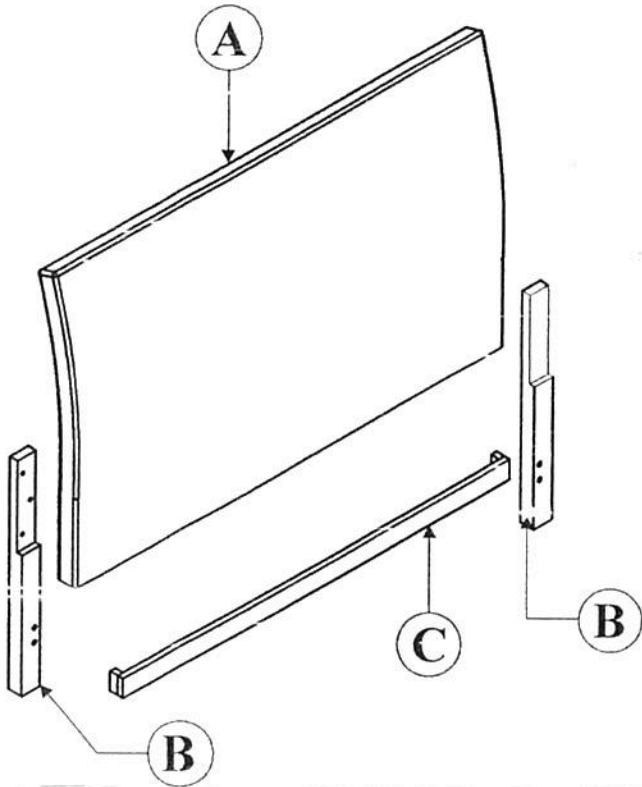
	No.	Picture	Description	Dimension	Qty
Hardware List	1		Screws	M8 X 1 inch	8 Pcs
	2		Short Bolt	JCBC M8 X 20 mm (ATTACH)	8 Pcs
	3		Long Bolt	JCBC M8 X 50 mm	8 Pcs
	4		Lock Washers	M8	16 Pcs
	5		Flat Washers	M8	16 Pcs
	6		Allen Key	L-5	1 Pc
	7		Phillip Headscrew Driver (not included)		

PART DETAIL

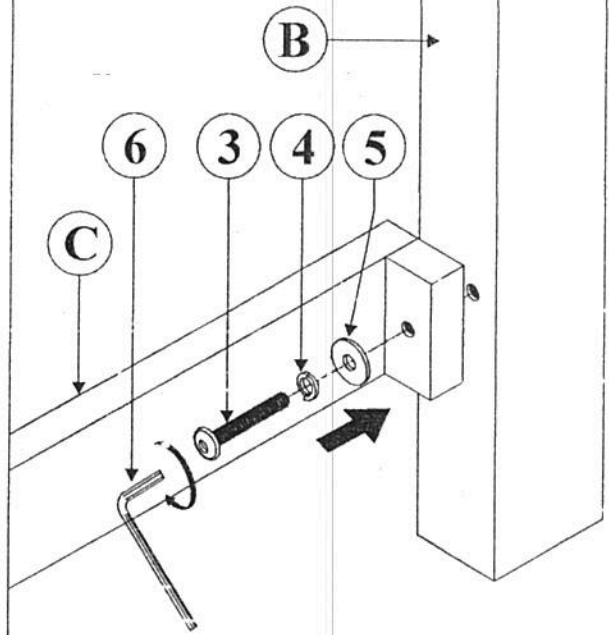


ASSEMBLY STEP

PART DETAIL

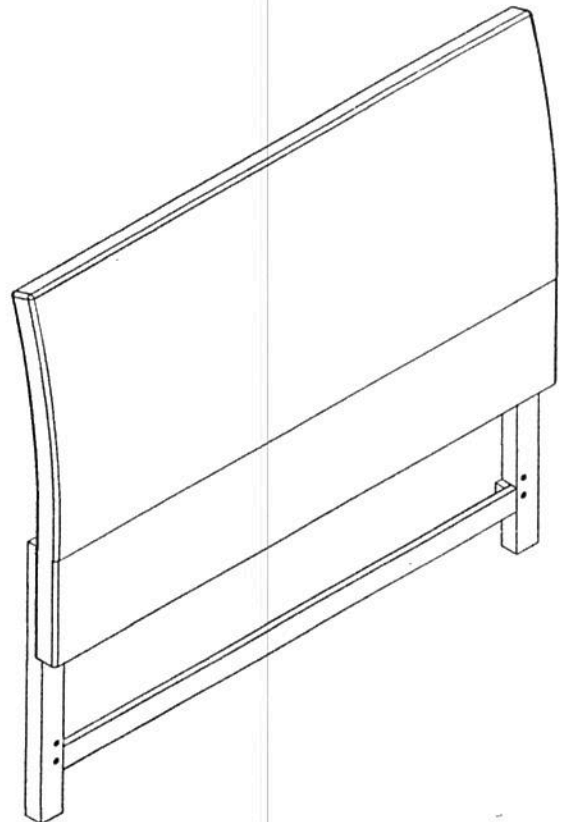
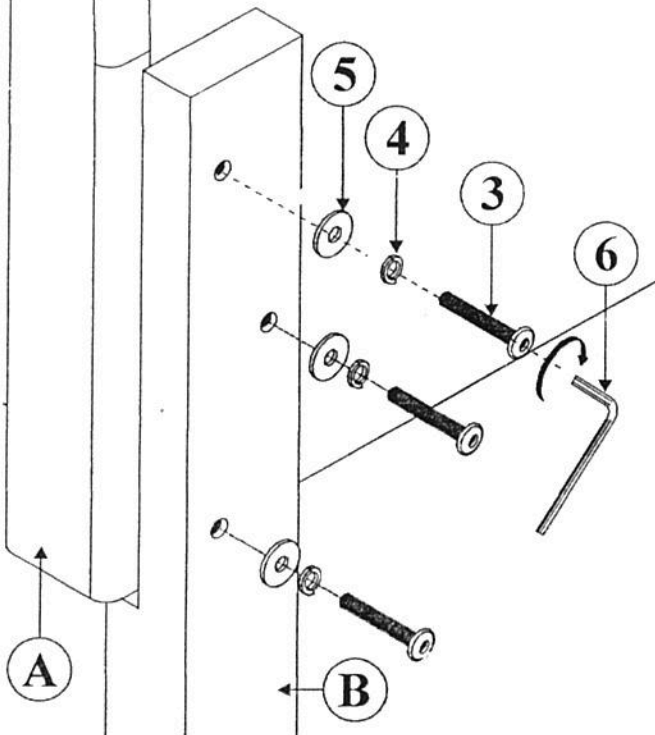


STEP 1



STEP 2

WARNING :
Do not tighten bolts 100%
until assembly is complete

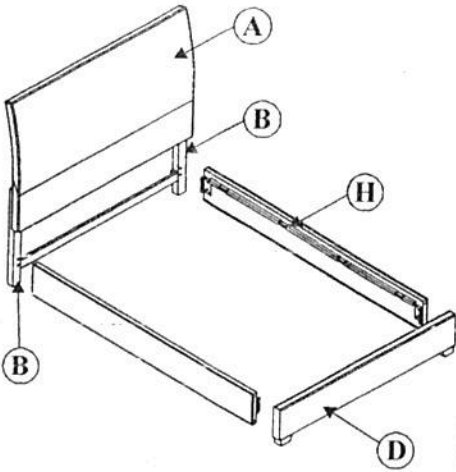


ASSEMBLY COMPLETE

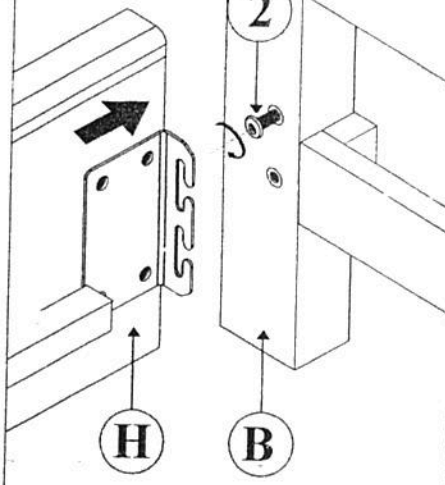
FINY 3309-4 : KG WEAVE HDBD # SKU 33433094
 FINY 3309-8 : KG WEAVE FTBD # SKU 33833092
 FINY 3309-9 : KG RVS WEAVE # SKU 33933094

ASSEMBLY STEP

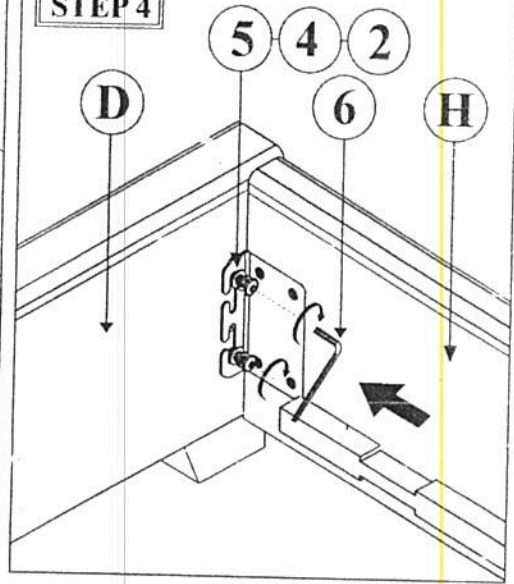
PART DETAIL



STEP 3



STEP 4



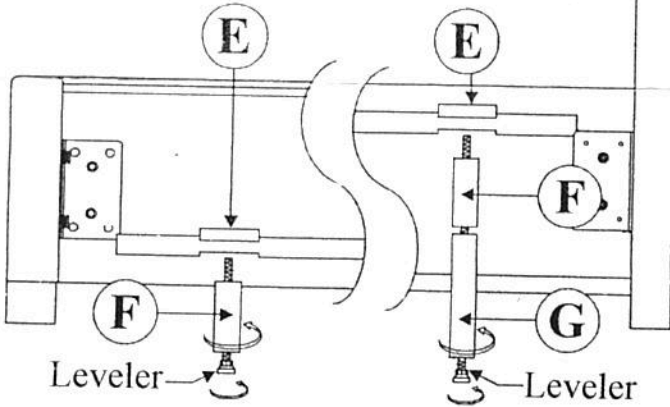
Attach Regular Siderail (H) to Leg (B) Attach Regular siderail (H) to Footboard (D)

STEP 5

CONFIGURATION

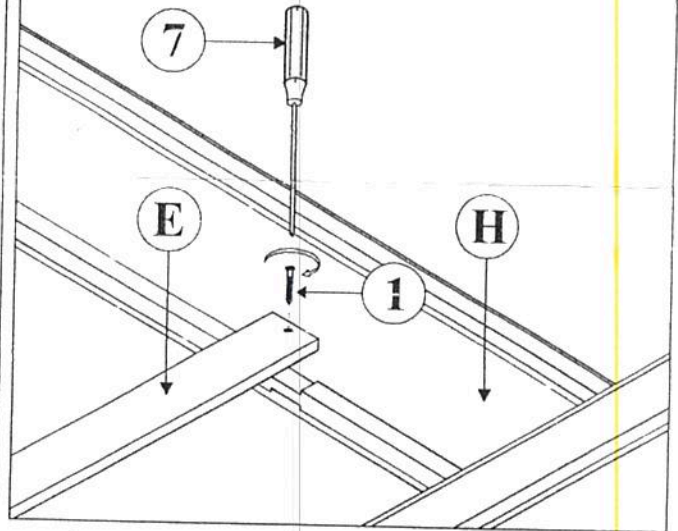
Mattress & boxspring

Mattress only



Tighten leg support (F) to slat (E) Tighten leg ext. (G) to slat (E)

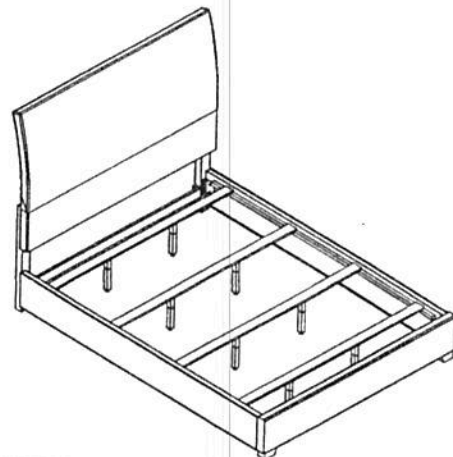
STEP 6



Attach Slats (E) to siderail (H) using screw (1) with screw driver (7) follow pre-drill on the slats



ASSEMBLY COMPLETE WITH MATTRESS & BOXSPRING



ASSEMBLY COMPLETE WITH MATTRESS ONLY