

ASSEMBLY INSTRUCTION

RVID 6891-4 King Headboard
6891-8 King Panel Footboard
6891-9 Queen/King Panel Siderails

SKU:32468919
SKU:32868917
SKU:32968919

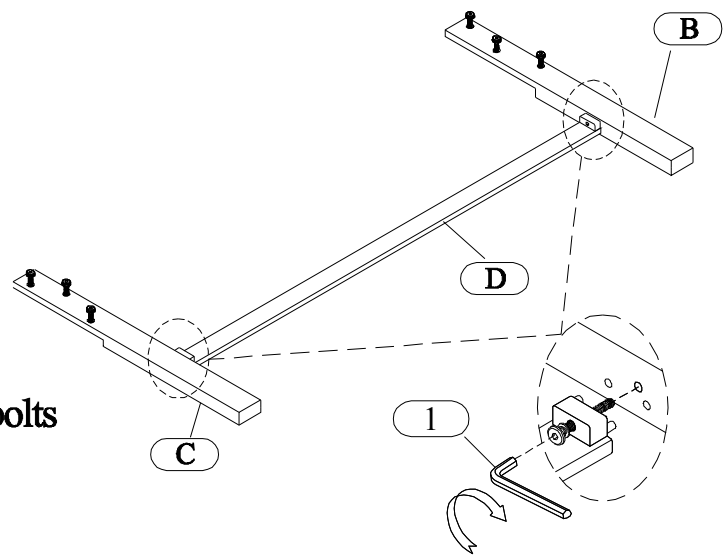
THANK YOU FOR PURCHASING THIS QUALITY PRODUCT. BE SURE TO CHECK ALL PACKING MATERIALS CAREFULLY FOR SMALL HARDWARE WHICH MAY HAVE COME LOOSE INSIDE THE CARTON DURING SHIPMENT. IDENTIFY AND COUNT ALL HARDWARE AND COMPARE WITH THE HARDWARE LIST BELOW.

PARTS LIST :

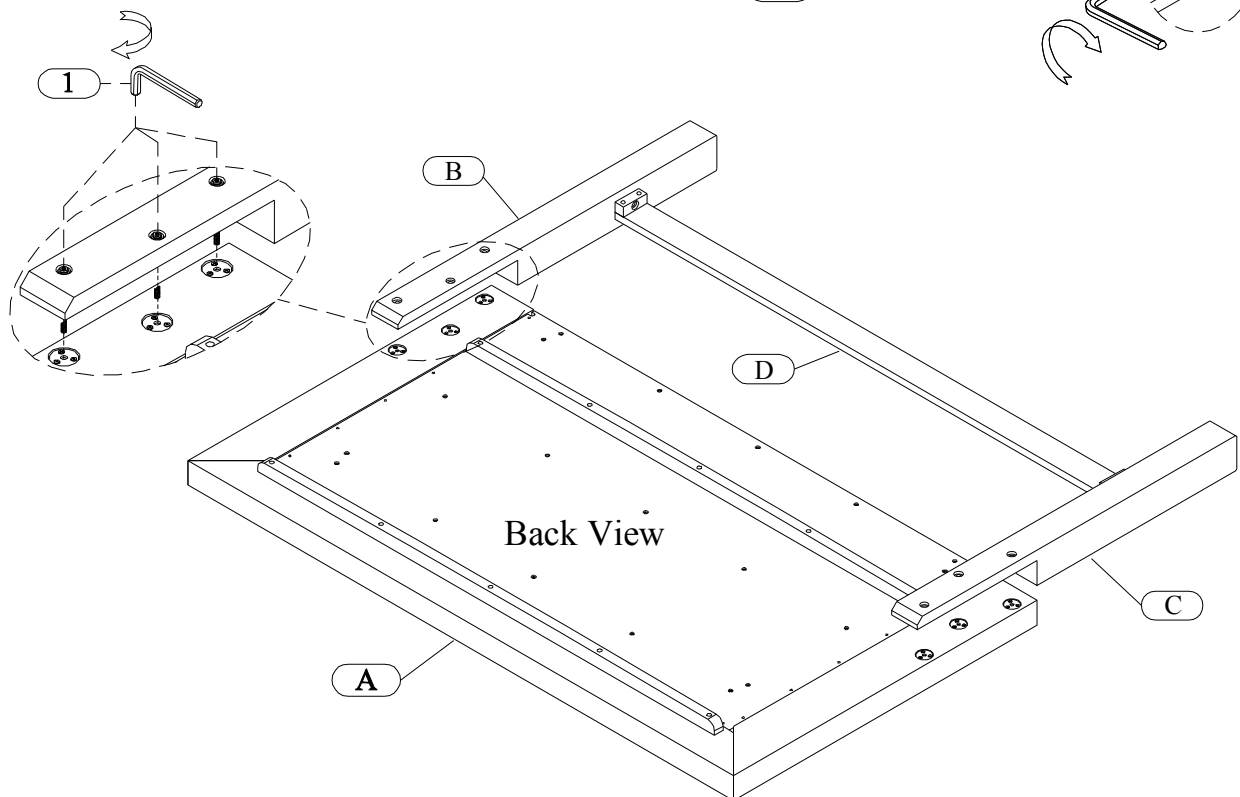
No.	Description	Sketch	Q' TY
A	King Headboard		1
B	Left Leg with Bolts		1
C	Right Leg with Bolts		1
D	Stretcher with Bolts		1
E	King Panel Footboard		1
F	Bed Rails		2
G	Wood Slat		5
H	Long Support leg		10
I	Short Support leg		10

HARDWARE PACKED IN HEADBOARD			
No.	Sketch	Description	Q' ty
1		4mm Allen Key	1 pc
HARDWARE PACKED IN FOOTBOARD			
2		#8 x 1" Wood Screw	10 pcs
		Tool Required (not provided)	

STEP 1 : Do not fully tighten the bolts



STEP 2 : Using the Allen key (1) to tighten all bolts



Hardware Pack Location:

Inside Box: 6891-4/6891-8 King Headboard/King Panel Footboard

SKU: 32468919/32868917

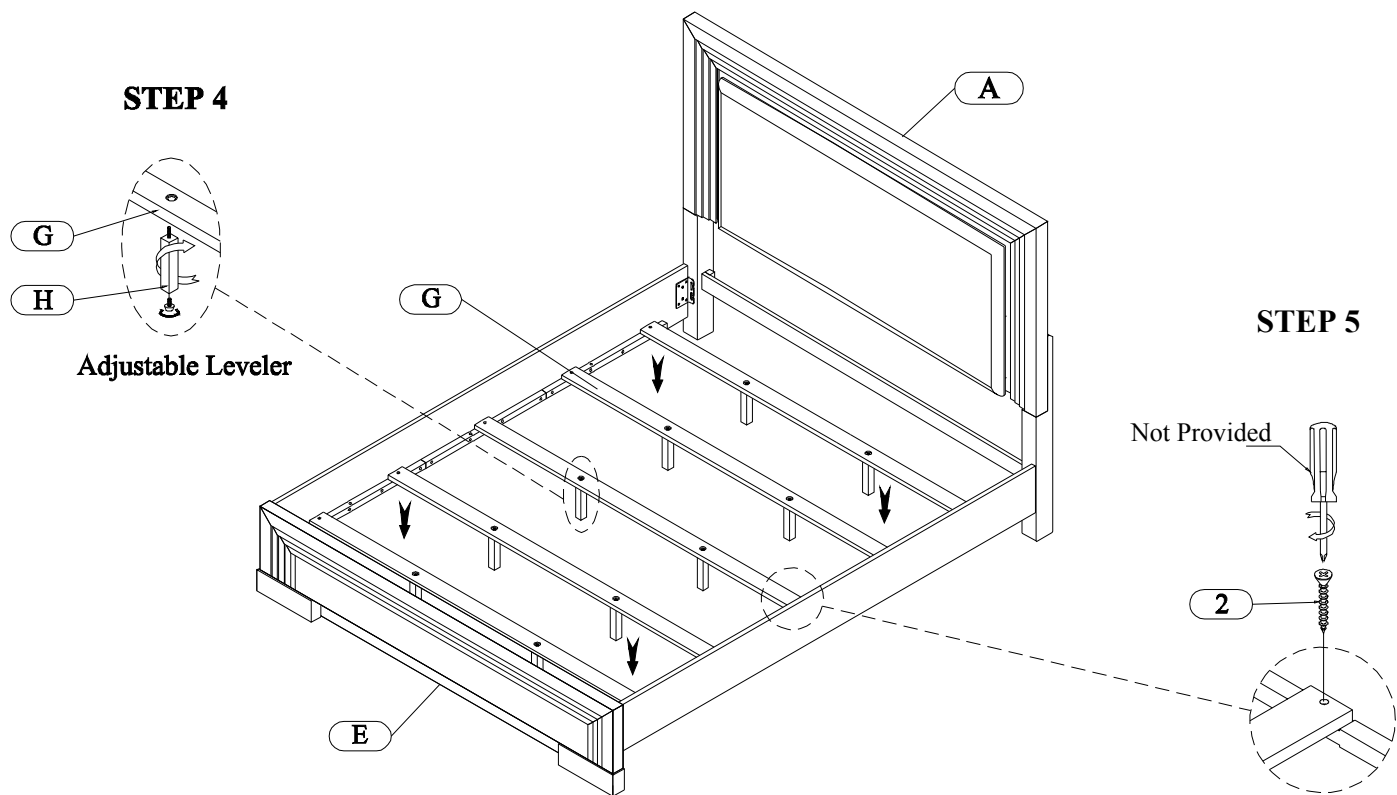
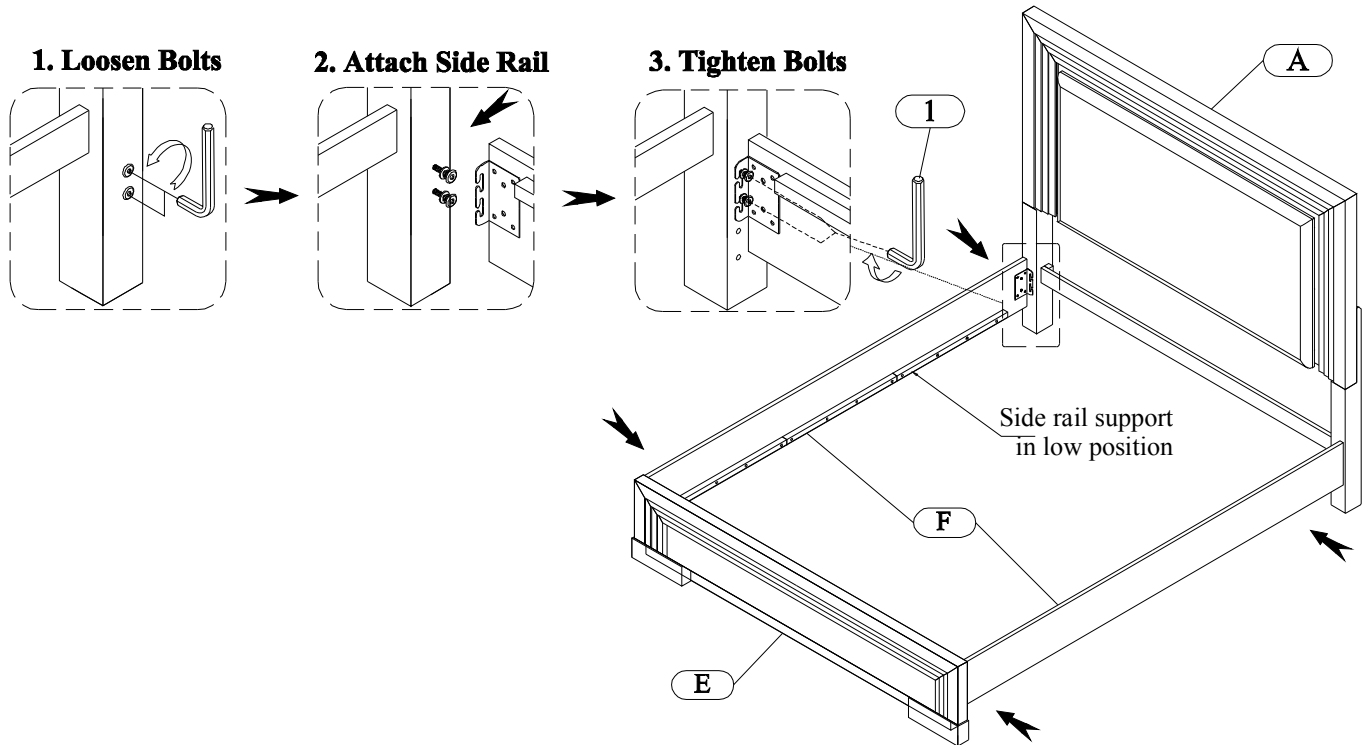
ASSEMBLY INSTRUCTION

RVID 6891-4 King Headboard
 6891-8 King Panel Footboard
 6891-9 Queen/King Panel Siderails

SKU:32468919
 SKU:32868917
 SKU:32968919

THANK YOU FOR PURCHASING THIS QUALITY PRODUCT. BE SURE TO CHECK ALL PACKING MATERIALS CAREFULLY FOR SMALL HARDWARE WHICH MAY HAVE COME LOOSE INSIDE THE CARTON DURING SHIPMENT. IDENTIFY AND COUNT ALL HARDWARE AND COMPARE WITH THE HARDWARE LIST BELOW.

STEP 3 : Option 1 - When using the side rail slats in the low position only use PART H under the slats



Hardware Pack Location:

Inside Box: 6891-4/6891-8 King Headboard/King Panel Footboard

SKU: 32468919/32868917

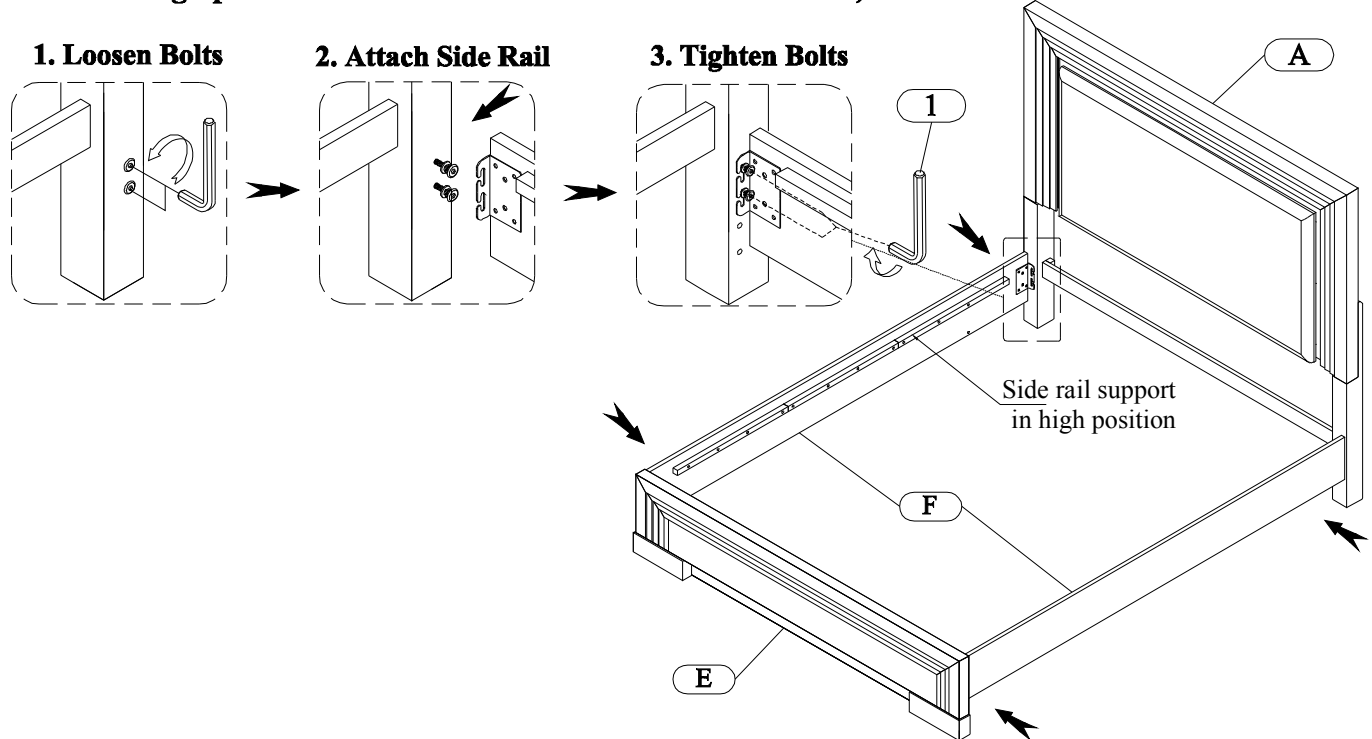
ASSEMBLY INSTRUCTION

RVID 6891-4 King Headboard
 6891-8 King Panel Footboard
 6891-9 Queen/King Panel Siderails

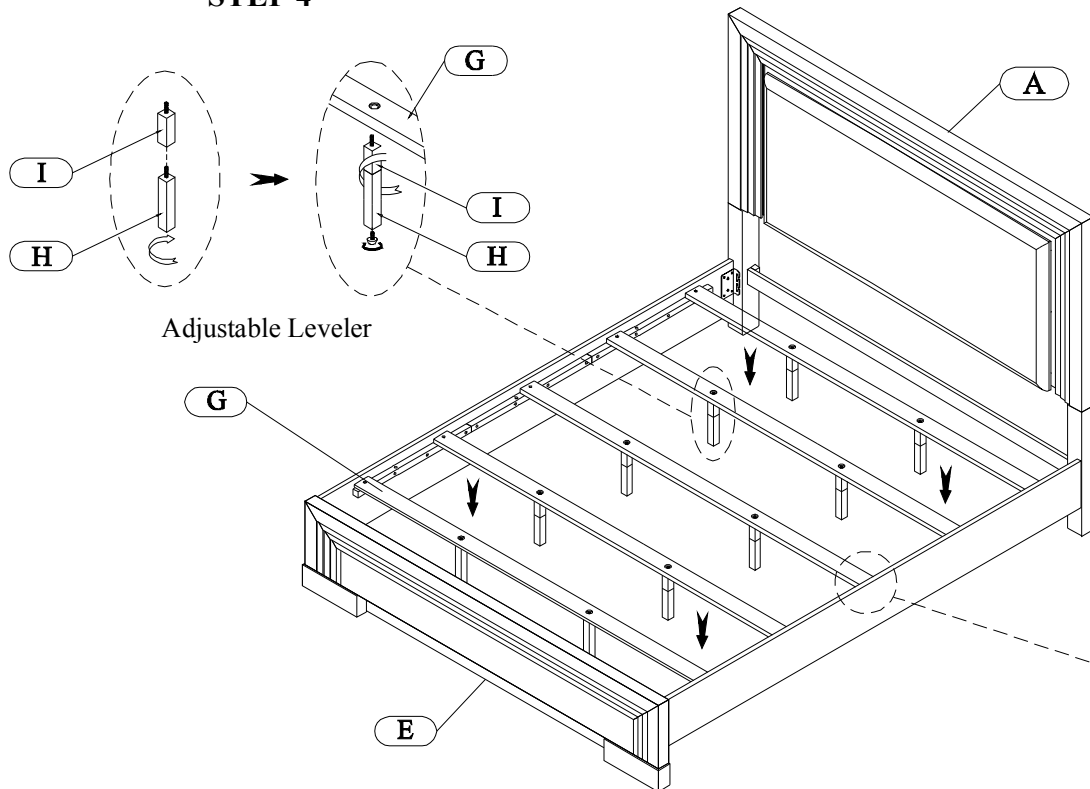
SKU:32468919
 SKU:32868917
 SKU:32968919

THANK YOU FOR PURCHASING THIS QUALITY PRODUCT. BE SURE TO CHECK ALL PACKING MATERIALS CAREFULLY FOR SMALL HARDWARE WHICH MAY HAVE COME LOOSE INSIDE THE CARTON DURING SHIPMENT. IDENTIFY AND COUNT ALL HARDWARE AND COMPARE WITH THE HARDWARE LIST BELOW.

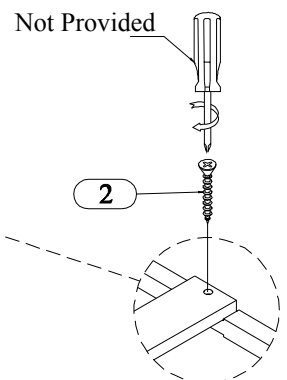
STEP 3 : OPTION 2 - Rotate the side rail 180 degrees to use Option 2 (When using the side rail slats in the high position use PART H & PART I under the slats)



STEP 4



STEP 5



Hardware Pack Location:

Inside Box: 6891-4/6891-8 King Headboard/King Panel Footboard

SKU: 32468919/32868917