

ASSEMBLY INSTRUCTIONS


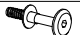

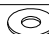

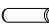

ALAM 7890-14 : KG SLGH HDBD # SKU 33478909
 ALAM 7890-18 : KG SLGH FTBD # SKU 33878907
 ALAM 7890-19 : QN/KG SLGH RAILS # SKU 33978909

Thank you for purchasing this quality product. Be sure to check all packing material carefully for small parts, which may have come loose inside the carton during shipment. Identify and count all parts and compare with the Hardware List below.

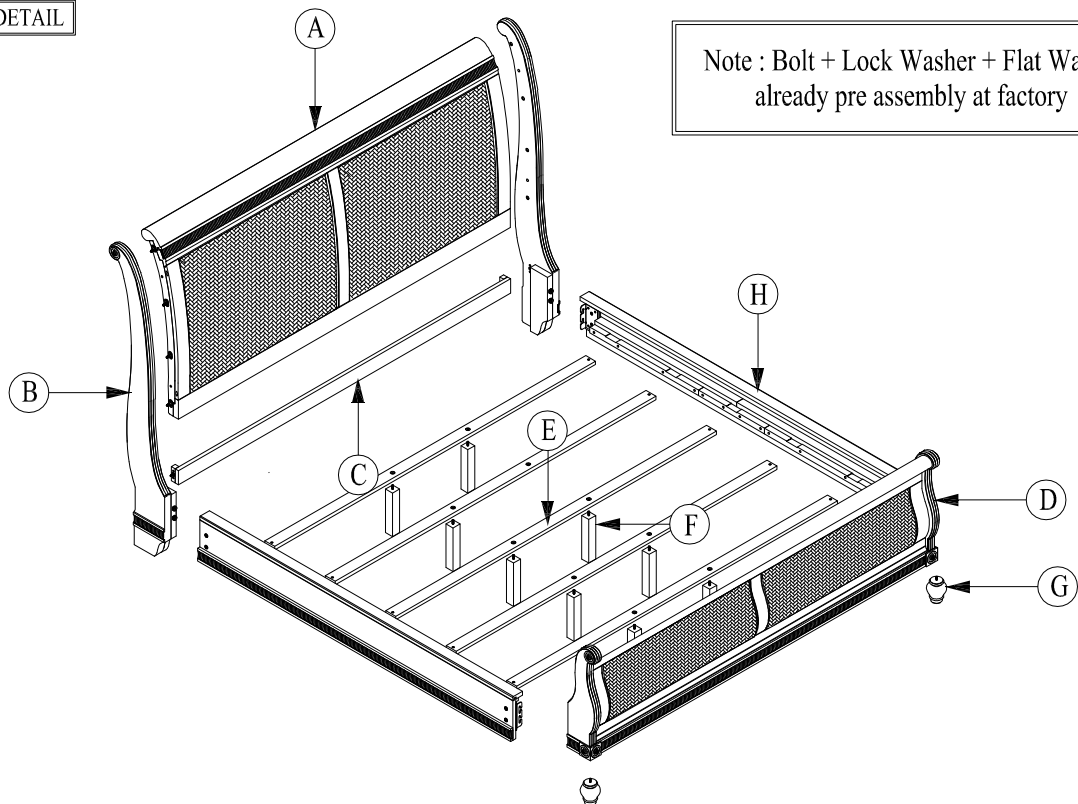
	No.	Description	Qty
Headboard	A	Headboard	1 Pc
	B	Legs (L - R)	2 Pcs
	C	Stretcher	1 Pc

Footboard	D	Footboard	1 Pc
	E	Slats	5 Pcs
	F	Leg Supports	10 Pcs
	G	Bunfeets	2 Pcs

Siderail	H	Siderails	2 Pcs
-----------------	---	-----------	-------

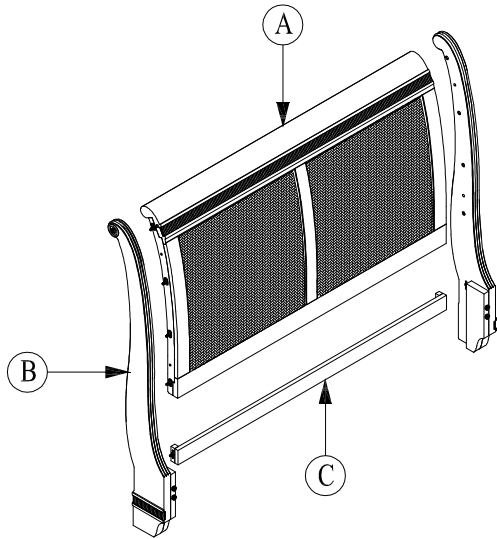
	No.	Picture	Description	Dimension	Qty
Hardware List	1		Screws	Ø8 x 1 1/4"	10 Pcs
	2		Bolt w/stoppers	5/16" x 18 x 1 3/4"	10 Pcs
	3		Lock Washers	5/16"	10 Pcs
	4		Flat Washers	Ø8 x Ø20 x 1 mm	10 Pcs
	5		Allen Key	5 x 70 mm	1 Pc
	6		Dowels	Ø10 x 40 mm	8 Pcs
	7		Phillip Headscrew Driver (not included)		

PART DETAIL

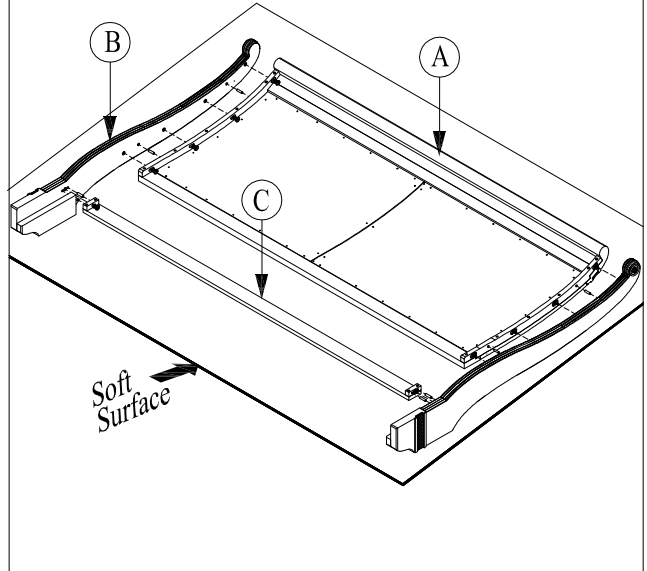


ASSEMBLY STEP

PART DETAIL



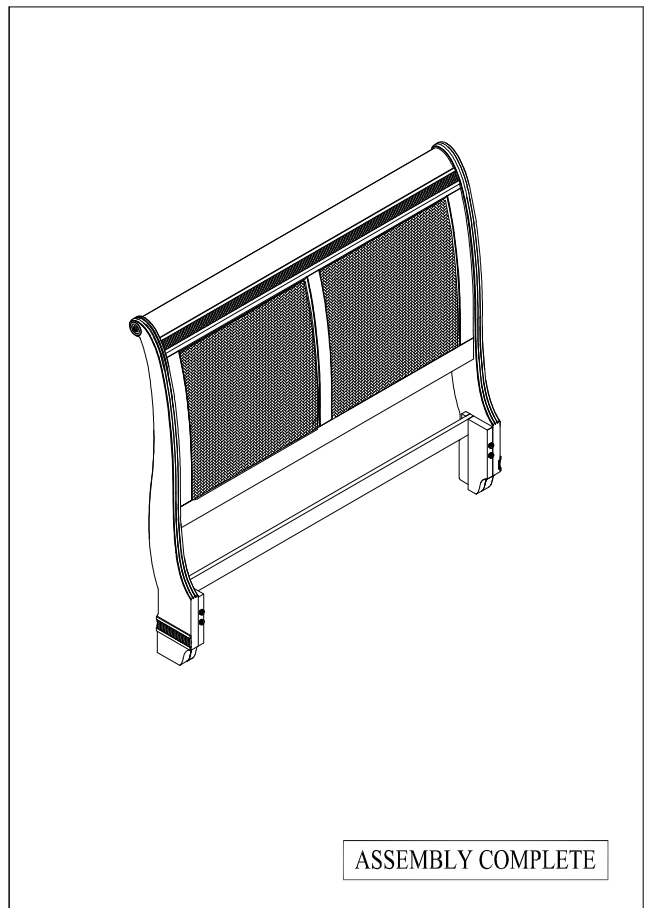
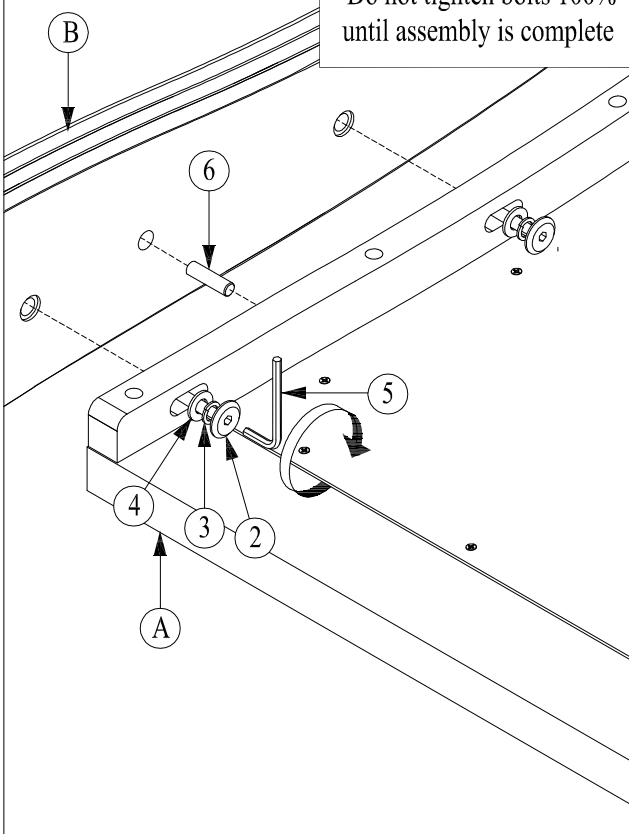
STEP 1



Put leg (B), stretcher (C) and headboard (A) on soft surface (please use carton box for base)

STEP 2

WARNING :
Do not tighten bolts 100% until assembly is complete

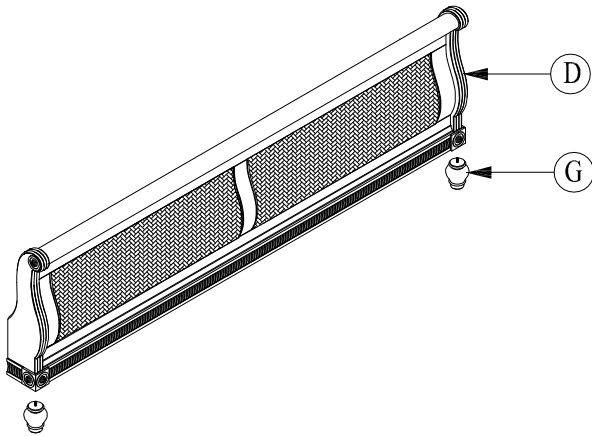


ASSEMBLY COMPLETE

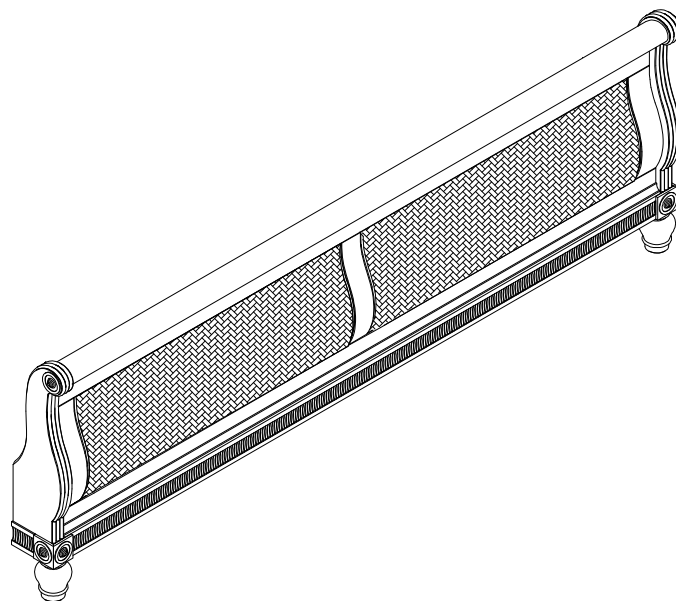
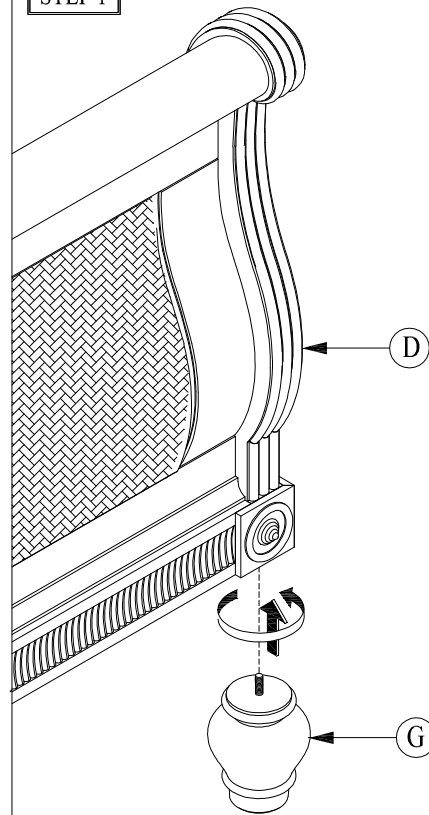
ALAM 7890-18 : KG SLGH FTBD # SKU 33878907

ASSEMBLY STEP

PART DETAIL

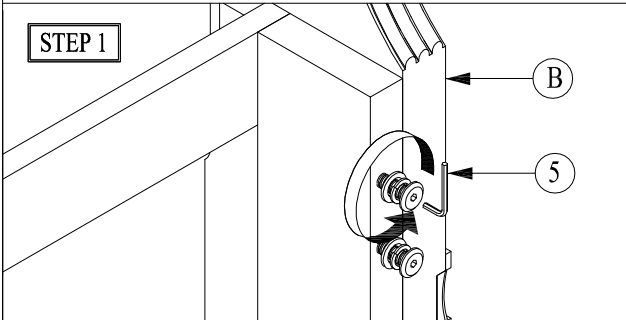


STEP 1

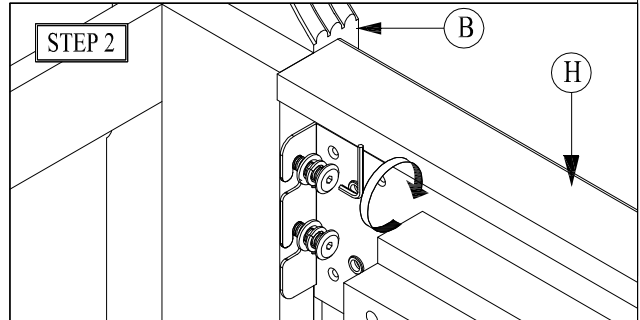


ASSEMBLY COMPLETE

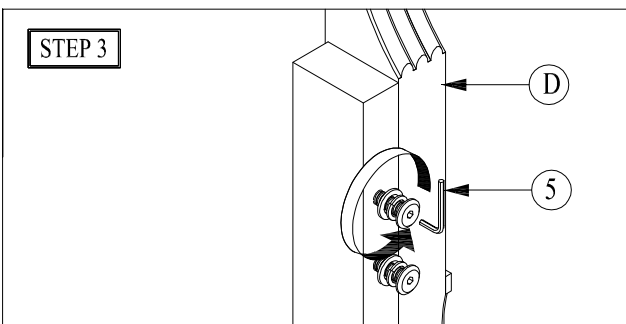
ASSEMBLY STEP



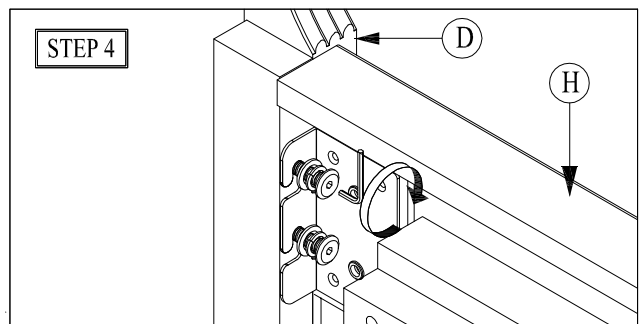
Slightly loose the Bolt on the Leg (B)



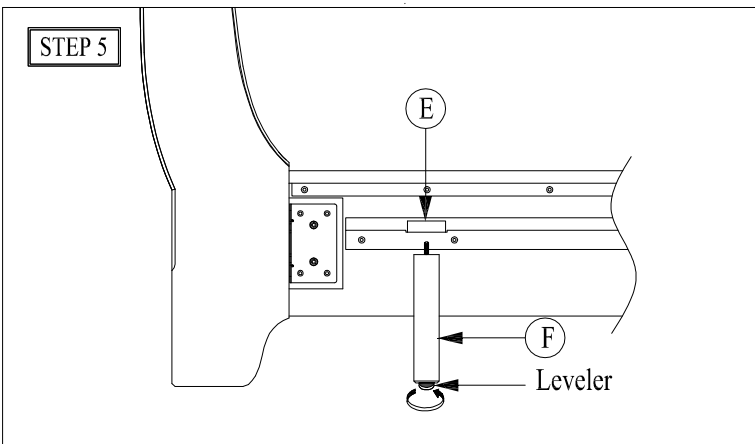
Attach Siderail (H) to Leg (B)



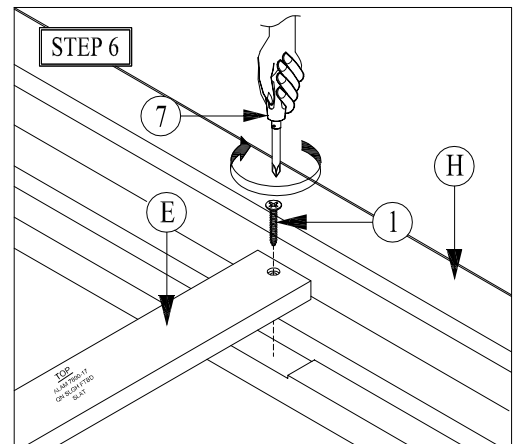
Slightly loose the Bolt on the Footboard (D)



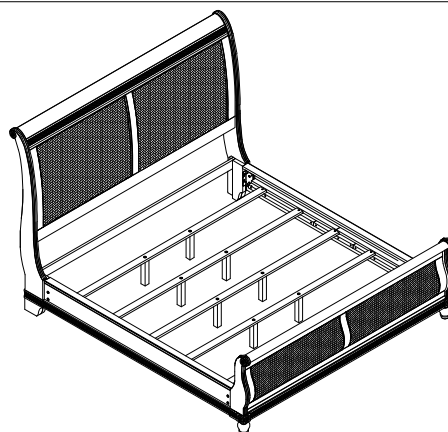
Attach Siderail (H) to Footboard (D)



Tighten leg support (F) to slat (E)



Attach Slats (E) to Siderail (H) using screw (1) with screw driver (7) follow pre-drill on the slats



ASSEMBLY COMPLETE