

# Assembly Instructions



PHOM 2209-355 ONE DRAWER NIGHTSTAND #SKU 33522093


Version#1-2025/10/01

Thank you for purchasing this quality product. Be sure to check all packing materials carefully for small parts, which may have come loose inside the carton during shipment. Identify and count all parts and compare with the **HARDWARE LIST** below.

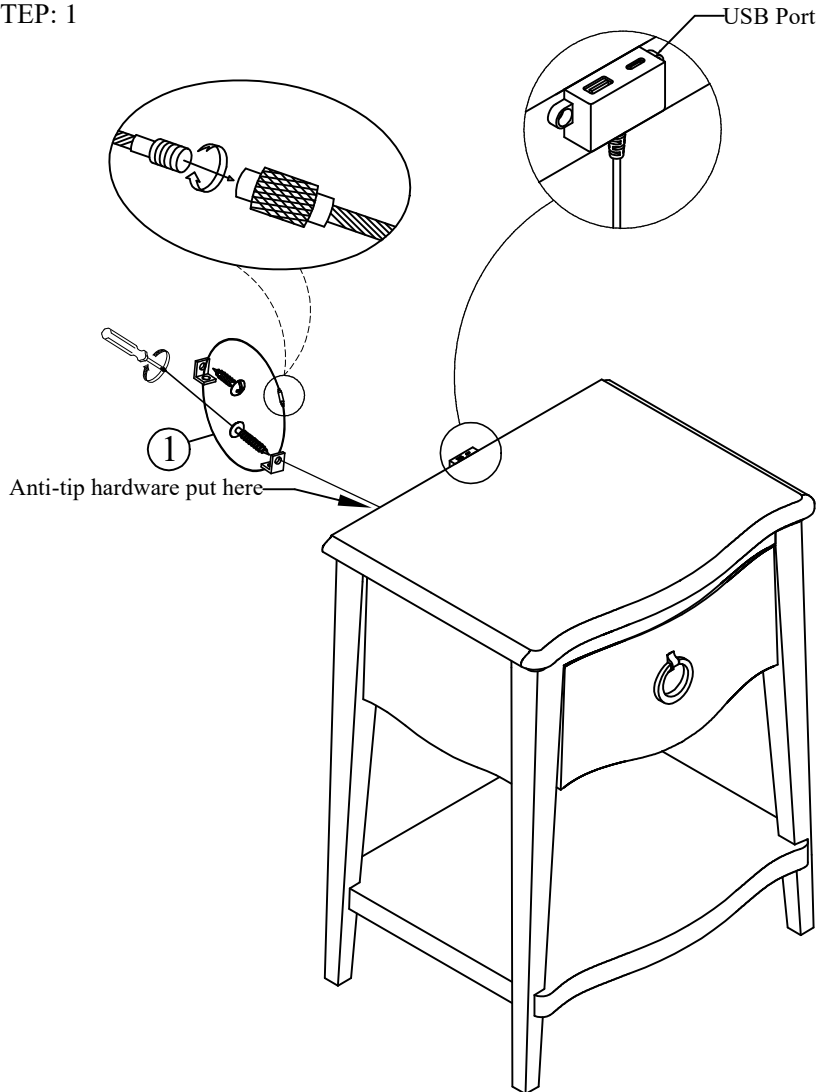
**Caution:** Please read instructions thoroughly before unpacking assembly parts.

1. We recommend that you assemble this product with the assistance of another person; this will make assembly easier, and will help to eliminate damage to the product or injury to persons during assembly.
2. Please put all parts on a non-abrasive floor before assembly, and follow the assembly steps to assemble your newly purchased product correctly and efficiently.
3. Do not tighten all bolts until the assembly is completed.

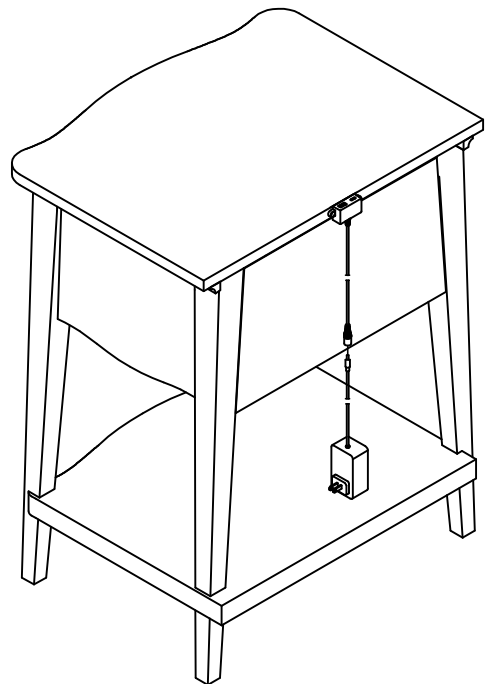
NO.	HARDWARE LIST		Q' TY
1		Anti-tipping kit	1
TOOLS REQUIRED (NOT PROVIDED)			
Description	Sketch		
Phillips screwdriver			

NO.	PARTS LIST		Q' TY
A		One drawer nightstand	1

**STEP: 1**



★ Remark:  
 Anti-tip hardware must be installed by customer.  
 Anti-tip hardware attached to the back panel.



## IMPORTANT SAFETY INSTRUCTIONS

# **WARNING**

Misuse can result in FIRE or DEATH by ELECTRICAL SHOCK

24.0VDC / 2.0A / 48.0W

Shenzhen Quanzhengtong Technology Co., Ltd.  
QTZ-2402000

**Read all instructions before using this furnishing.**

**DANGER - To reduce the risk of electric shock**

1. Always unplug this furnishing from the electrical outlet before cleaning or servicing.

**WARNING - To reduce the risk of burns, fire, electric shock, or injury to persons:**

1. Unplug from outlet before putting on or taking off parts.
2. Never operate this furnishing if it has a damaged electrical cord or plug, if it is not working properly, or if the electrical cord or plug has been damaged or dropped into water. Stop using this furnishing and call a service center for examination and repair.
3. Keep the electrical cord and plug away from heated surfaces and other heat sources.
4. To disconnect, turn all controls to the off position, then remove plug from outlet.
5. When operating, ensure that electrical cord is not under the base, legs, or motion mechanism to avoid damage to electrical cord or plug.
6. Do not strain or stretch electrical cord.
7. Do not use extension cords or power strips.
8. Keep out of reach of children. This is not a toy.
9. Plug directly into a compatible electrical socket.
10. Do not modify the plug or use any adapters.

## IMPORTANT SAFETY INSTRUCTIONS



# WARNING

**El mal uso puede provocar INCENDIO  
o MUERTE por DESCARGA ELÉCTRICA**

**24.0VDC / 2.0A / 48.0W**

**Shenzhen Quanzhengtong Technology Co., Ltd.  
QTZ-2402000**

**Leer todas las instrucciones antes de usar este mobiliario.**

**PELIGRO-Para reducir el riesgo de descarga eléctrica:**

1. Siempre desenchufe este accesorio de la toma de corriente eléctrica antes de limpiarlo o repararlo.

**ADVERTENCIA: para reducir el riesgo de quemaduras, incendios, descargas eléctricas Olesiones a personas:**

1. Desenchufe del tomacorriente antes de colocar o quitar partes.

2. Nunca opere este accesorio si tiene un cable o enchufe eléctrico dañado, si no funciona correctamente, o si el cable o el enchufe eléctrico se ha dañado o se ha caído al agua. Deje de usar este equipamiento y llame a un centro deservicio para que lo examinen y lo reparen.

3. Mantenga el cable eléctrico y el enchufe lejos de superficies calientes y otras fuentes de calor.

4. Para desconectar, gire todos los controles a la posición de apagado, luego retire el enchufe del tomacorriente.

5. Al operar, asegúrese de que el cable eléctrico no esté debajo de la base, las patas o el mecanismo de movimiento para evitar dañar o el cable eléctrico o el enchufe.

6. No fuerce ni estire el cable eléctrico.

7. No utilizar cables de extensión o tomas de corriente.

8. Mantener fuera del alcance de los niños. Esto no es un juguete.

9. Enchúfelo directamente a una toma de corriente compatible.

10. No modifique el enchufe ni utilice adaptadores.