



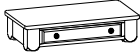



Assembly Instructions

PULA 3363-123 Large Nightstand - SKU# 33533630


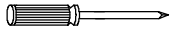
Manufactured by PULA for Rooms To Go

***** Caution : Please read all instructions carefully before starting the assembly process. These parts are cumbersome and heavy. Therefore, two people are recommended in order to prevent personal injury and insure the parts are not damaged during the assemble.**

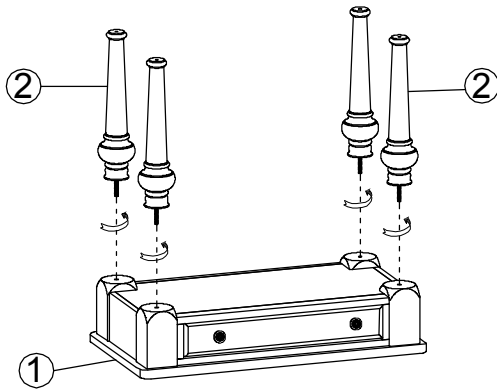
PARTS LIST

No.	Description	Sketch	Q'ty
1	Nightstand Top		1 Pc
2	Center Leg		4 Pcs
3	Bottom Leg		4 Pcs
4	Shelf Frame		1 Pc

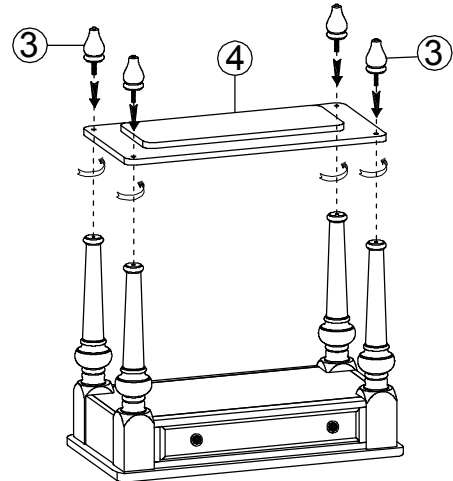
ANTI TIPPING KIT LIST

No.	Description	Size	Sketch	Q'ty
A	Tipping Restraint			1 Set
TOOLS REQUIRED (NOT PROVIDED)				
Description		Sketch		
Phillips screwdriver				

STEP 1: Flip the nightstand top (1) upside down. Place a blanket or some form of padding underneath of the top of placing on a hard surface to avoid scratches. Place one center leg (2) at each corner and align the bolts with the holes on the bottom of the nightstand top and rotate in the direction of the arrow to fix the center legs.

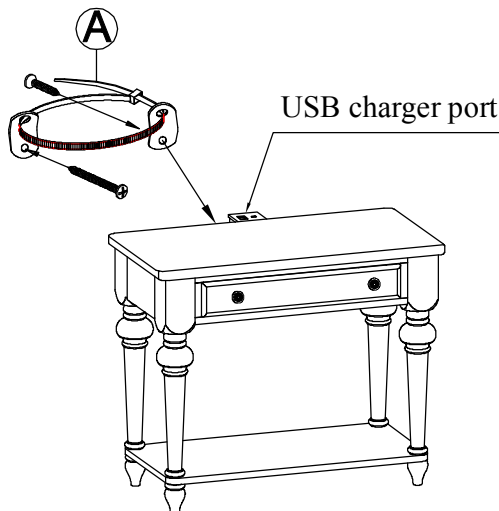


STEP 2: Place Shelf frame (4) so that it fits the predetermined pin holes in the 4 center legs (2). Place Bottom leg (3) at each corner predetermined pin on Shelf Frame (4) and rotate in the direction of the arrow to fix them.



STEP 3: Position Drawer Nightstand in its desired location. Refer to the assembly instructions of Anti tipping kits to fix Drawer Nightstand to the wall.

Remark:
Anti-tip hardware - customer assembly required



IMPORTANT SAFETY INSTRUCTIONS



WARNING

Misuse can result in FIRE or DEATH by ELECTRICAL SHOCK

[ELECTRICAL RATING (DC 5V/2A/10W)]

[IDEAL]

[180002]

Read all instructions before using this furnishing.

DANGER - To reduce the risk of electric shock:

- Always unplug this furnishing from the electrical outlet before cleaning or servicing.

WARNING - To reduce the risk of burns, fire, electric shock, or injury to persons:

- Unplug from outlet before putting on or taking off parts.
- Never operate this furnishing if it has a damaged electrical cord or plug, if it is not working properly, or if the electrical cord or plug has been damaged or dropped into water. Stop using this furnishing and call a service center for examination and repair.
- Keep the electrical cord and plug away from heated surfaces and other heat sources.
- To disconnect, turn all controls to the off position, then remove plug from outlet.
- When operating, ensure that electrical cord is not under the base, legs, or motion mechanism to avoid damage to electrical cord or plug.
- Do not strain or stretch electrical cord.
- Do not use extension cords or power strips.
- Keep out of reach of children. This is not a toy.
- Plug directly into a compatible electrical socket.
- Do not modify the plug or use any adapters.

INSTRUCCIONES DE SEGURIDAD IMPORTANTES



El mal uso puede provocar INCENDIO o MUERTE por DESCARGA ELÉCTRICA

[ELECTRICAL RATING (DC 5V/2A/10W)]

[IDEAL]

[180002]

Leer todas las instrucciones antes de usar este mobiliario.

PELIGRO - Para reducir el riesgo de descarga eléctrica:

- Siempre desenchufe este accesorio de la toma de corriente eléctrica antes de limpiarlo o repararlo.

ADVERTENCIA : para reducir el riesgo de quemaduras, incendios, descargas eléctricas o lesiones a personas:

- Desenchufe del tomacorriente antes de colocar o quitar partes.
- Nunca opere este accesorio si tiene un cable o enchufe eléctrico dañado, si no funciona correctamente, o si el cable o el enchufe eléctrico se ha dañado o se ha caído al agua. Deje de usar este equipamiento y llame a un centro de servicio para que lo examinen y lo reparen.
- Mantenga el cable eléctrico y el enchufe lejos de superficies calientes y otras fuentes de calor.
- Para desconectar, gire todos los controles a la posición de apagado, luego retire el enchufe del tomacorriente.
- Al operar, asegúrese de que el cable eléctrico no esté debajo de la base, las patas o el mecanismo de movimiento para evitar dañar el cable eléctrico o el enchufe.
- No fuerce ni estire el cable eléctrico.
- No utilizar cables de extensión o tomas de corriente.
- Mantener fuera del alcance de los niños. Esto no es un juguete.
- Enchúfelo directamente a una toma de corriente compatible.
- No modifique el enchufe ni utilice adaptadores.