




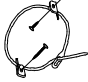


Manufactured for Rooms To Go.

ASSEMBLY INSTRUCTIONS

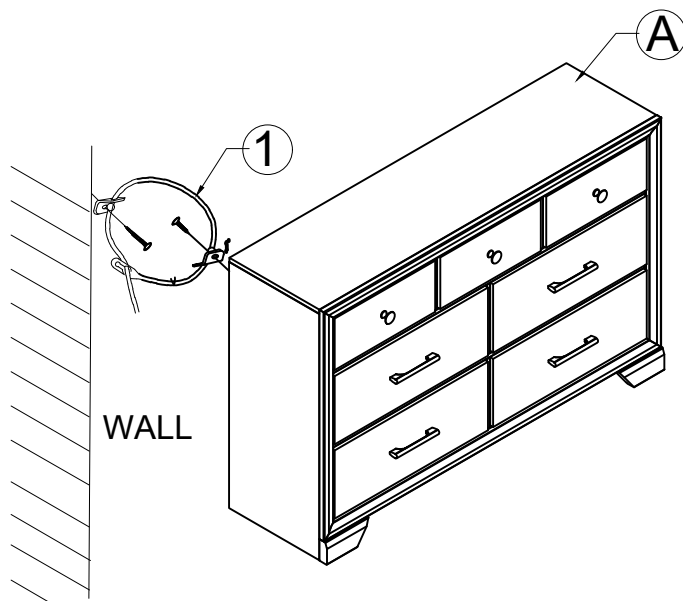
CRWN R6580-2N NIGHTSTAND SKU #33565815 -GRAY
CRWN R6580-4N CHEST SKU #33665817 -GRAY
CRWN R6580-1N DRESSER SKU #33165817 -GRAY

Thank you for purchasing this quality product. Be sure to check all packing material carefully for small parts, which may have come loose inside the carton during shipment. Identify and count all parts and compare with the HARDWARE LIST below.

1. We recommend that you should assemble this product with the assistance of another person, this will make assembly easier, and will help to eliminate damage to the product or injury to persons during assembly.
2. Please do not over tighten screws or bolts until the assembly is completed.
3. Please put all parts on a non-abrasive floor before assembly and follow the assembly steps to assemble your newly purchased product correctly and efficiently.

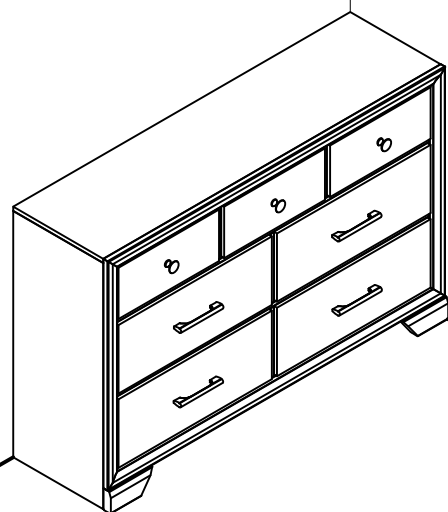
PARTS LIST				HARDWARE LIST			
NO	SKETCH	DESCRIPTION	QTY	NO	OUTLOOK	DESCRIPTION	QTY
A		NIGHTSTAND & CHEST & DRESSER	1 PCS	1		TIPPING RESTRAINT	1 PCS
							
							
TOOLS REQUIRED (NOT PROVIDED)							
PHILIP SCREW DRIVER							1 PCS

STEP 1 : Move the Night Stand & Chest & Dresser (A) into final position and use tipping restraint (1) attach to wall



COMPLETED ASSEMBLY

WALL



Hardware Pack Location (s) :

CRWN R6580-2N NIGHTSTAND SKU #33565815 -GRAY
CRWN R6580-4N CHEST SKU #33665817 -GRAY
CRWN R6580-1N DRESSER SKU #33165817 -GRAY