

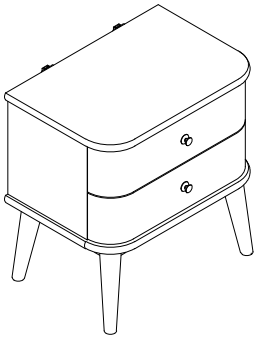
Assembly Instructions for

BFGP 8540-120N NIGHTSTAND SKU# 33585401

Manufactured for Rooms To Go.

Thank you for purchasing this quality product. Be sure to check all packing material carefully for small parts, which may have come loose inside the carton during shipment. Identify and count all parts and compare with the **HARDWARE LIST** below.

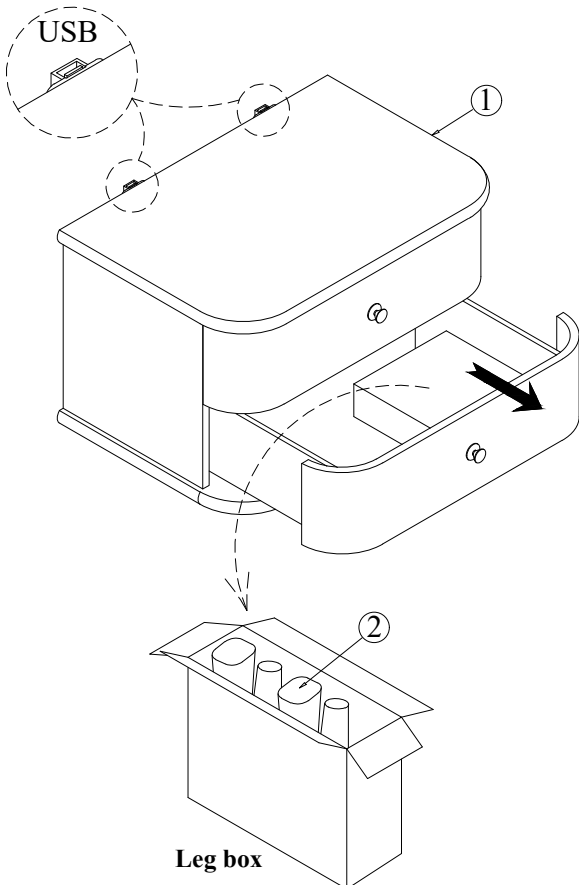
1. We recommend that you should assemble this product with the assistance of another person; this will make assembly easier, and will help to eliminate damage to the product or injury to persons during assembly.
2. Please do not over tighten screws or bolts until the assembly is completed.
3. Please put all parts on a non - abrasive floor before assembly, and follow the assembly steps to assemble your newly purchased product correctly and efficiently.



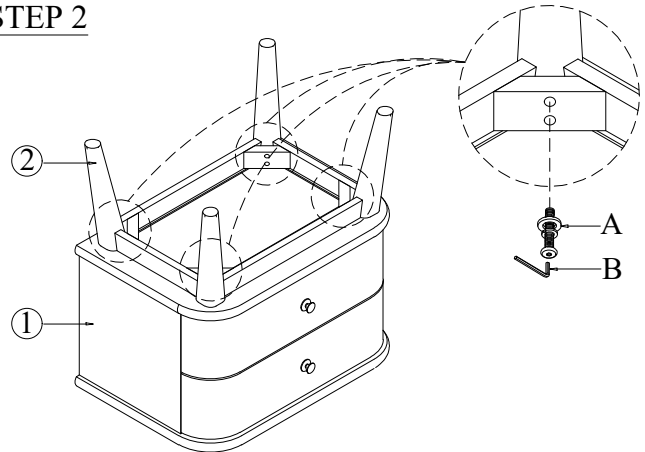
HARDWARE LISTS			
NO.	OUTLOOK	SIZE	Q'TY
A		JCBC Bolt 1/4"*38*2"	8PCS
		Lock washer 1/4"	8PCS
		Flat washer 1/4"x19mm*1mm	8PCS
B		Allen key 4mm	1PC

PART LISTS			
NO.	Sketch	Description	Q'TY
1		NIGHTSTAND	1PC
2		LEGS	4PCS

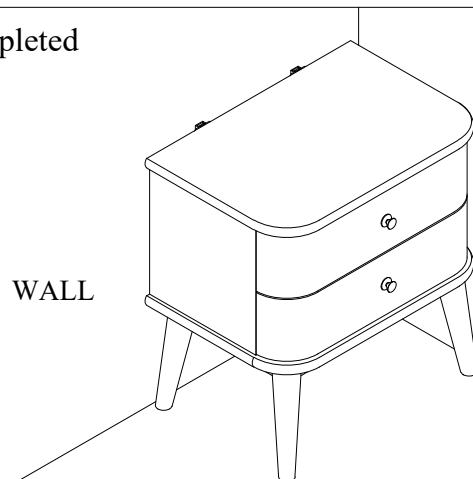
STEP 1



STEP 2



Completed



Hardware Pack Location(s):

BFGP 8540-120N NIGHTSTAND SKU# 33585401