



# Assembly Instructions

RETG 1420-13 5 SLIDING DOOR CHEST - SKU# 33614202

Manufactured by RETG for Rooms To Go

Version#1 - 16/04/2024

**\*\*\* Caution : Please read all instructions carefully before starting the assembly process. These parts are cumbersome and heavy. Therefore, two people are recommended in order to prevent personal injury and insure the parts are not damaged during the assemble.**

## PARTS LIST

No.	Description	Sketch	Q'ty
1	5 Sliding Door Chest		1 Pc

## ANTI TIPPING KIT LIST

No.	Description	Zize	Sketch	Q'ty
A	Tipping Restraint			1 Set

## TOOLS REQUIRED (NOT PROVIDED)

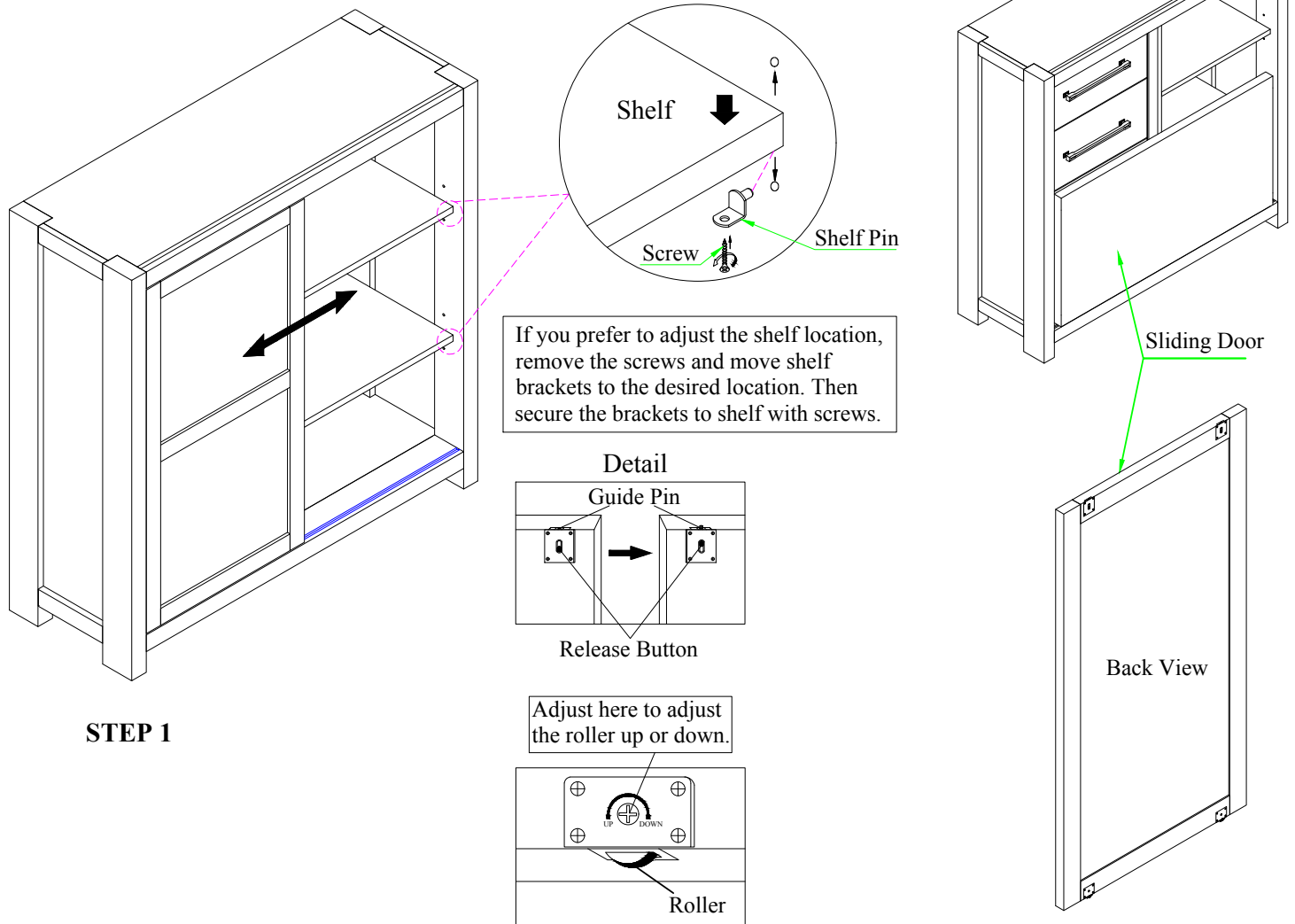
Description	Sketch
Phillips screwdriver	

### STEP 1: Install the door (if necessary):

Push the guide pins down so they are inside the door. Place the roller on the metal track so the door rolls smoothly. Place the top of the door underneath the track so when you push the release button (Detail) the pins go up in to the track.

### Remove the door (if necessary):

Push the guide pins down so they are inside the door, and take the door off.



### STEP 1

### Hardware Pack Location (s):

RETG 1420-13 5 SLIDING DOOR CHEST - SKU# 33614202



# Assembly Instructions

RETG 1420-13 5 SLIDING DOOR CHEST - SKU# 33614202

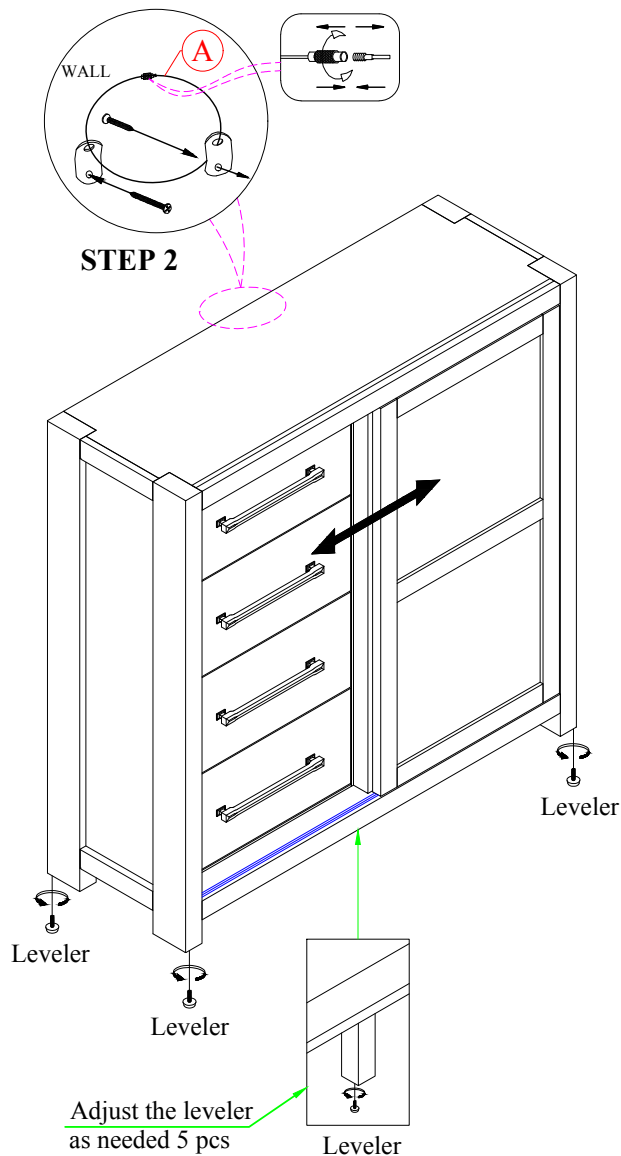
Manufactured by RETG for Rooms To Go

Version#1 - 16/04/2024

**\*\*\* Caution : Please read all instructions carefully before starting the assembly process. These parts are cumbersome and heavy. Therefore, two people are recommended in order to prevent personal injury and insure the parts are not damaged during the assemble.**

**STEP 2:** Position Sliding Door Chest in its desired location. Refer to the assembly instructions of Anti tipping kits to fix Sliding Door Chest to the wall.

Remark:  
Anti-tip hardware - customer  
assembly required



## Hardware Pack Location (s):

RETG 1420-13 5 SLIDING DOOR CHEST - SKU# 33614202