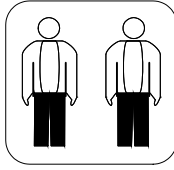
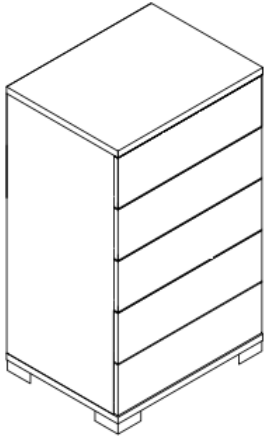


FIBI

Style	3478-3479		
Item	CHEST 5 DRAWERS ASSEMBLING		
SKU	33634797-33634785		
Date	05/06/2024	Rev.	2

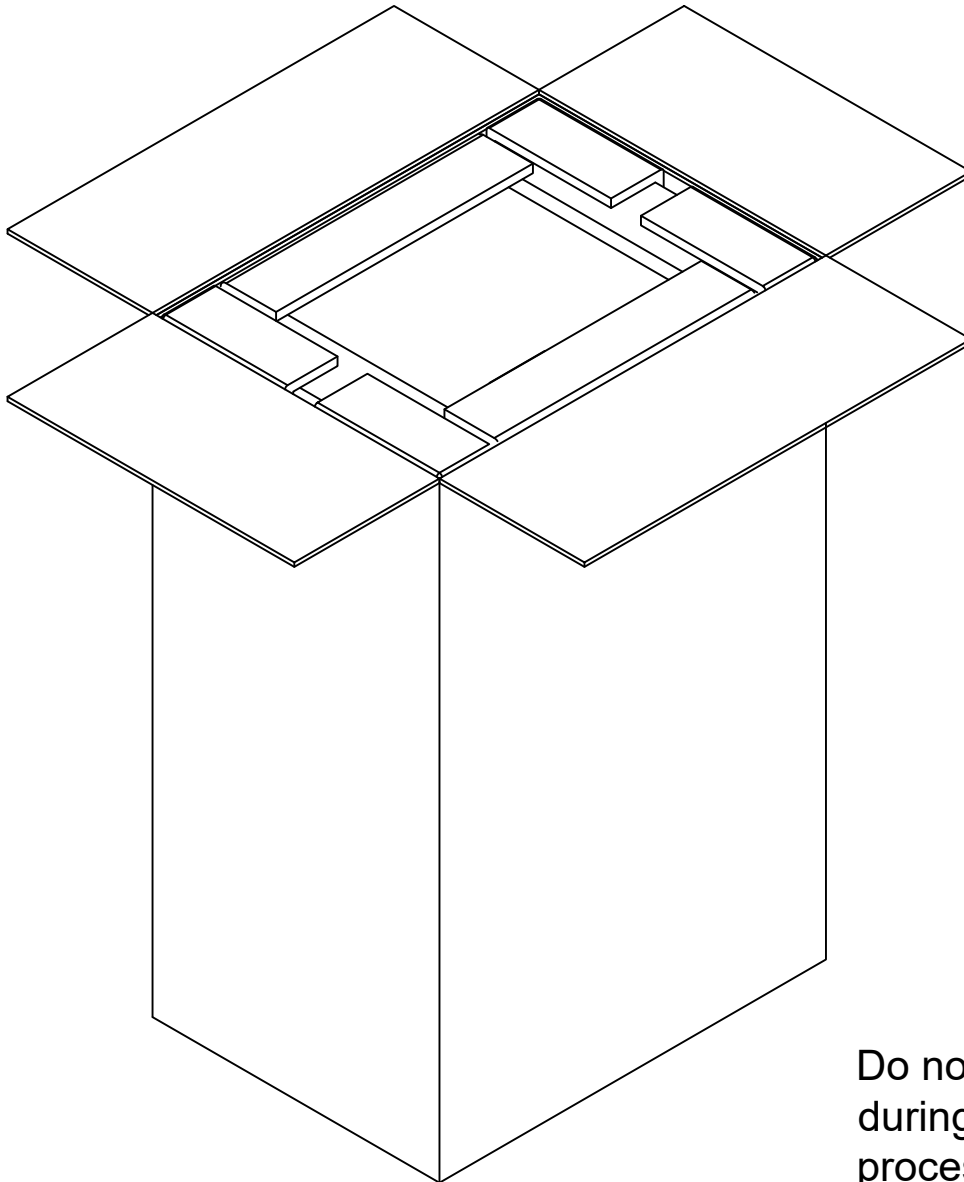


Screwdriver
Not
Included



Anti Tip
Hardware
Included

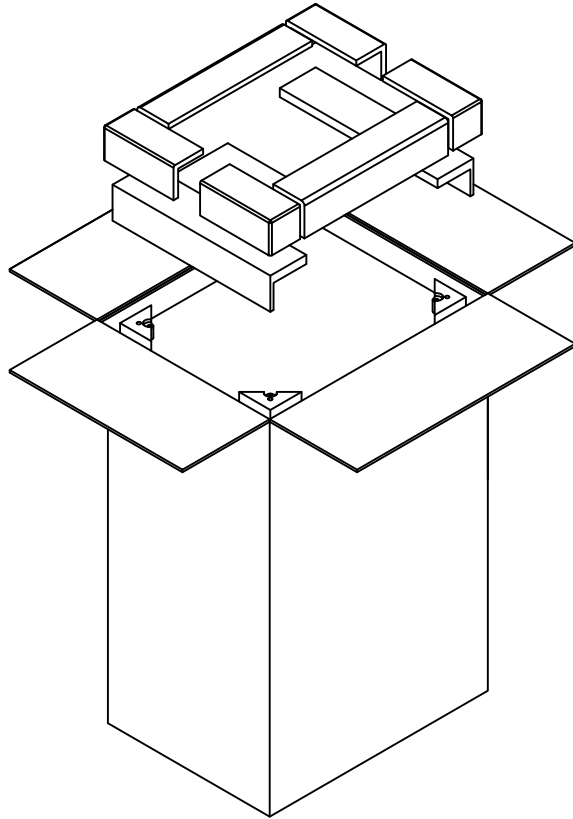
1 Open chest box from the bottom side



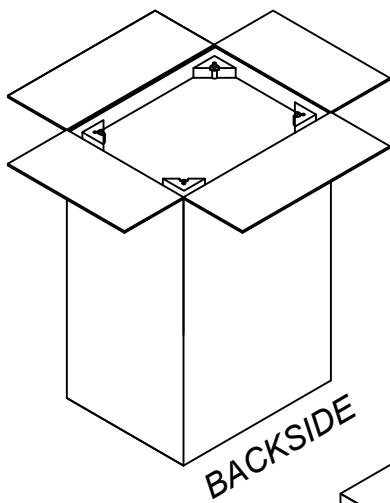
Do not remove carton
during the assembly
process.



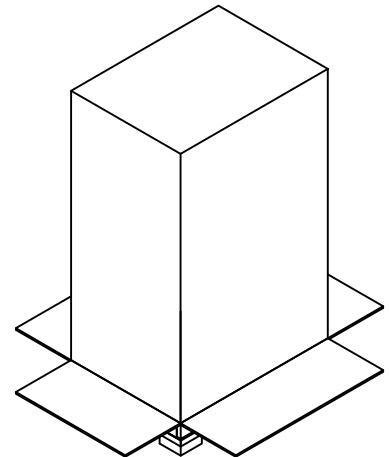
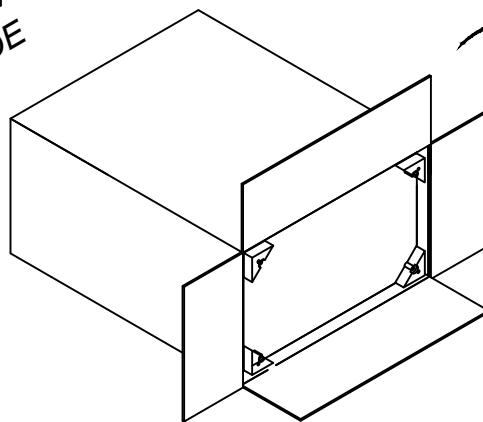
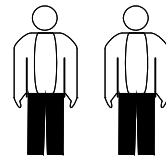
2 Remove the protections from the bottom of the chest.



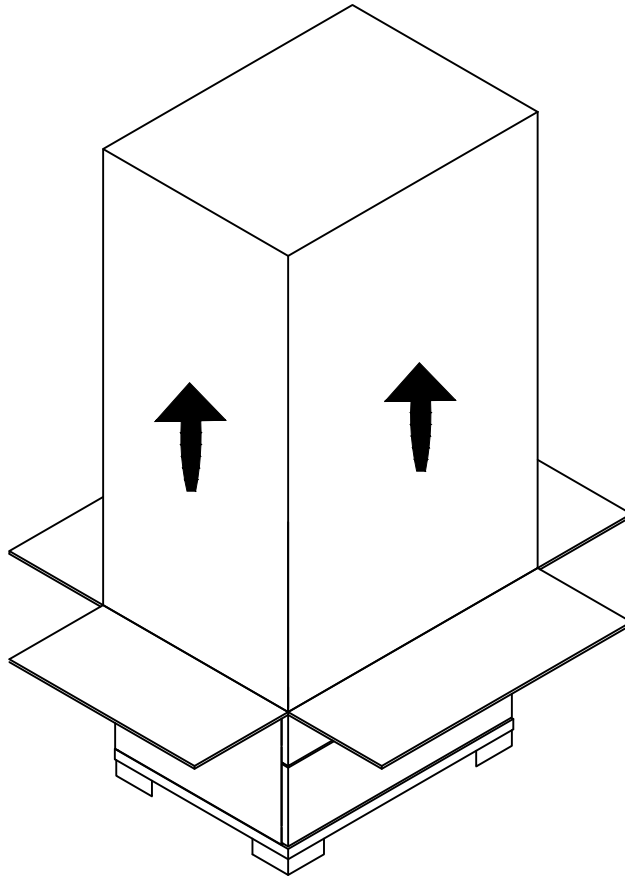
3 Flip over the chest on its feet.



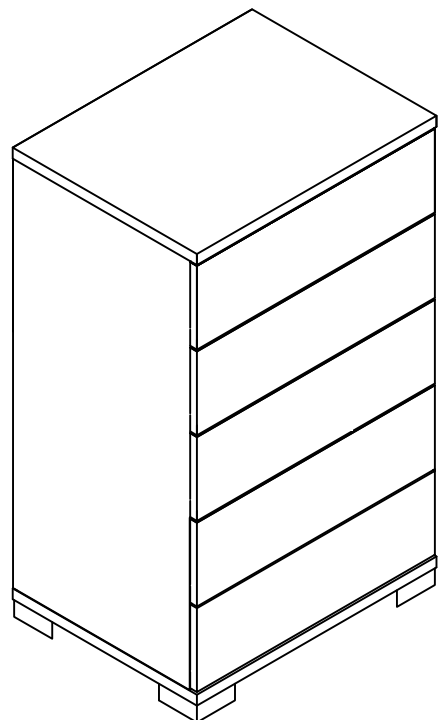
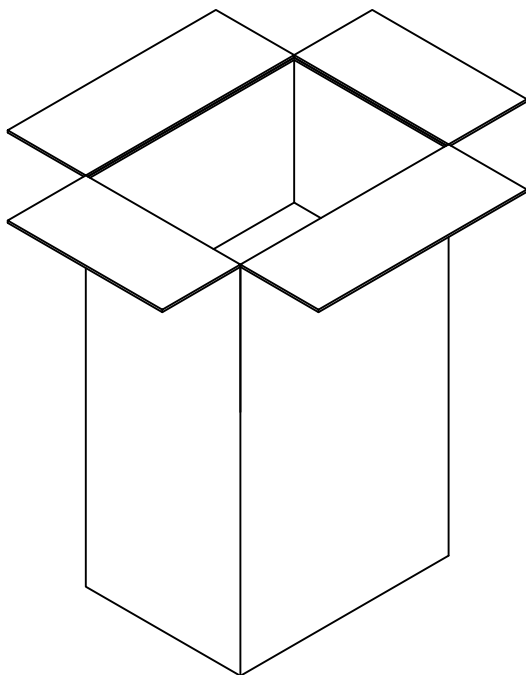
WARNING
2 people
required



4 Lift the carton



5 Open the first drawer and follow the instruction to fix the chest by the wall using the metal anti tip kit.

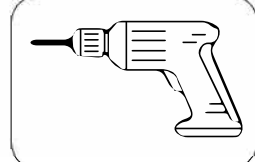
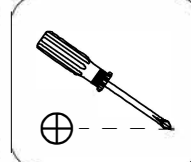
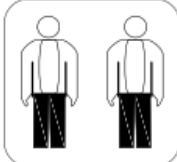


FIBI

Model	3479		
Item	CHEST 5 DRAWERS ASSEMBLING		
SKU	33634797-32634796		
Date	07/31/2023	Rev.	1

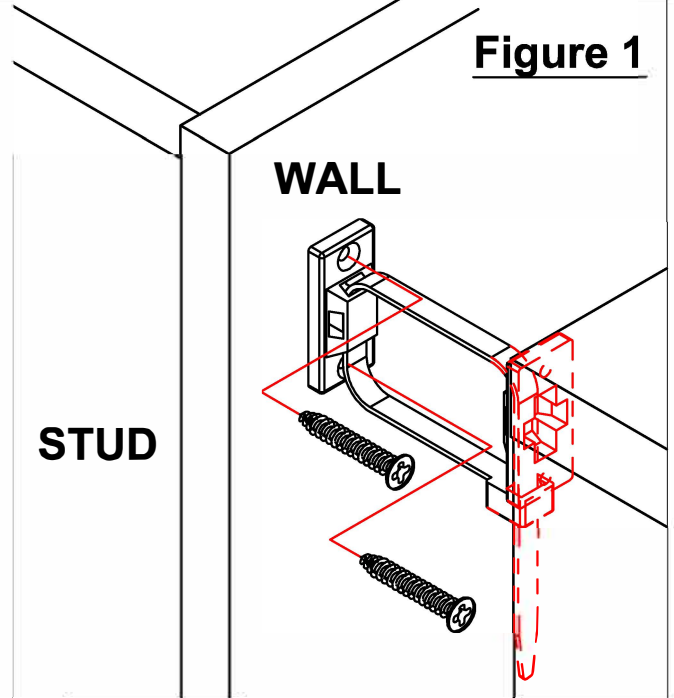
Hardware : 4 brackets
4 1 1/2" screws
4 3/4" screws
2 brackets strap

Screwdriver
Not
Included

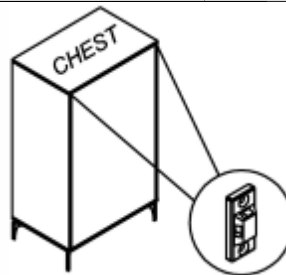


6

Determine desired location of furniture piece. Find wall stud behind furniture piece and position one bracket vertically on the stud approximately 1" below the top of furniture piece. Mark and drill pilot hole in the center of the stud with a 3/32" drill bit. Attach bracket to stud with the two 1 1/4" screws. (Figure 1)



7



The second bracket will need to be attached horizontally to the top of furniture frame. Temporarily move furniture away from wall and place a bracket near top of frame. Mark and drill holes for screws with a 3/32" drill bit. Attach bracket to furniture piece with the two 3/4" screws. (Figure 2)

Move furniture piece into its final position, taking care to line up the wall bracket with furniture bracket. Thread the strap through the brackets as shown in the illustrations. Tighten strap until snug. Note: Do not overtighten.

