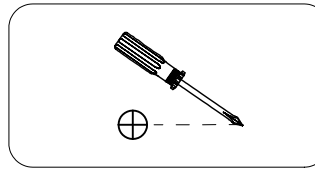
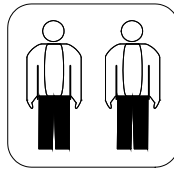
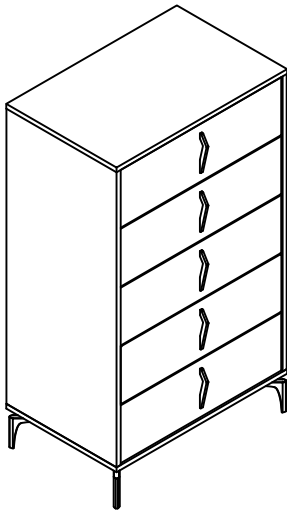


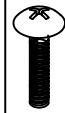

# FIBI

Model	4255		
Item	CHEST OF 5 DRAWERS ASSEMBLING		
Code	32642553 - 33642554		
Date	22/07/2021	Rev.	1



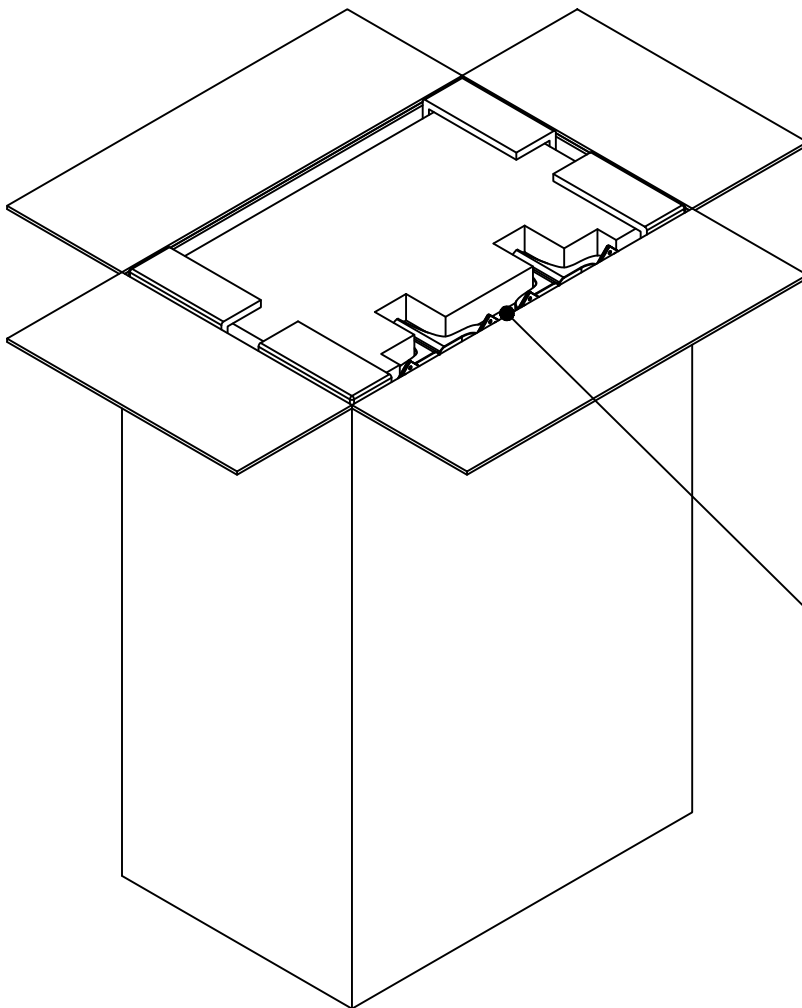
Screwdriver  
Not  
Included

Hardware :

POS.	A	12	NR	POS.	B	4	NR
							
	M6 X 25						

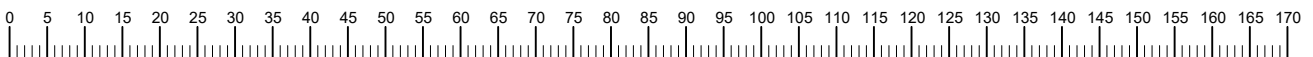
**1**

Open chest of drawers box from the bottom side

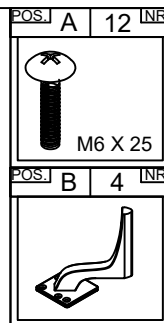


Feet  
for chest of drawers

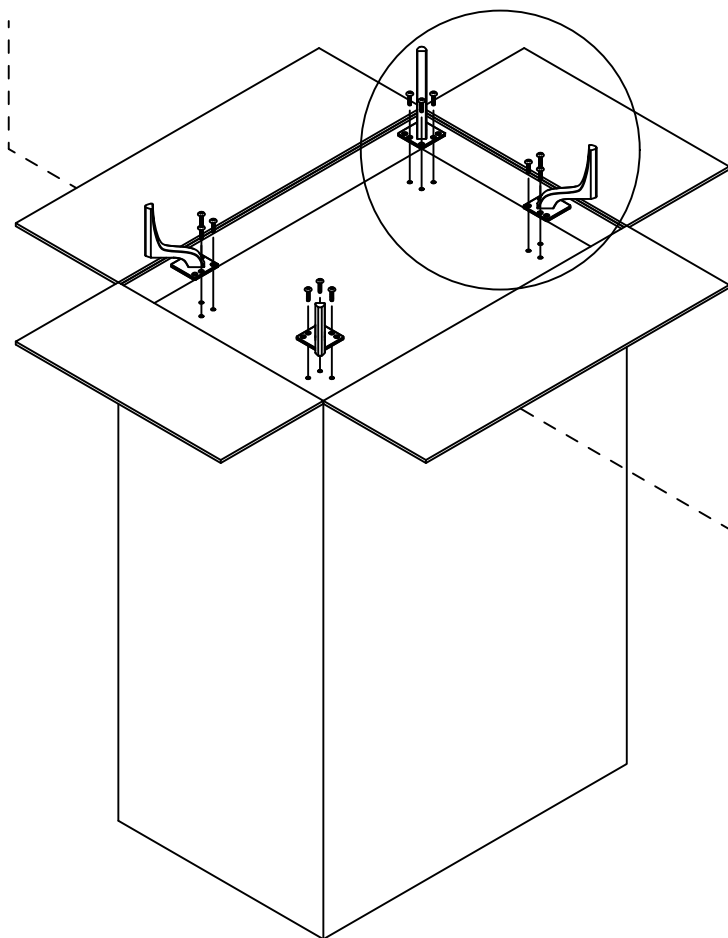
Do not remove carton  
during the assembly  
process.



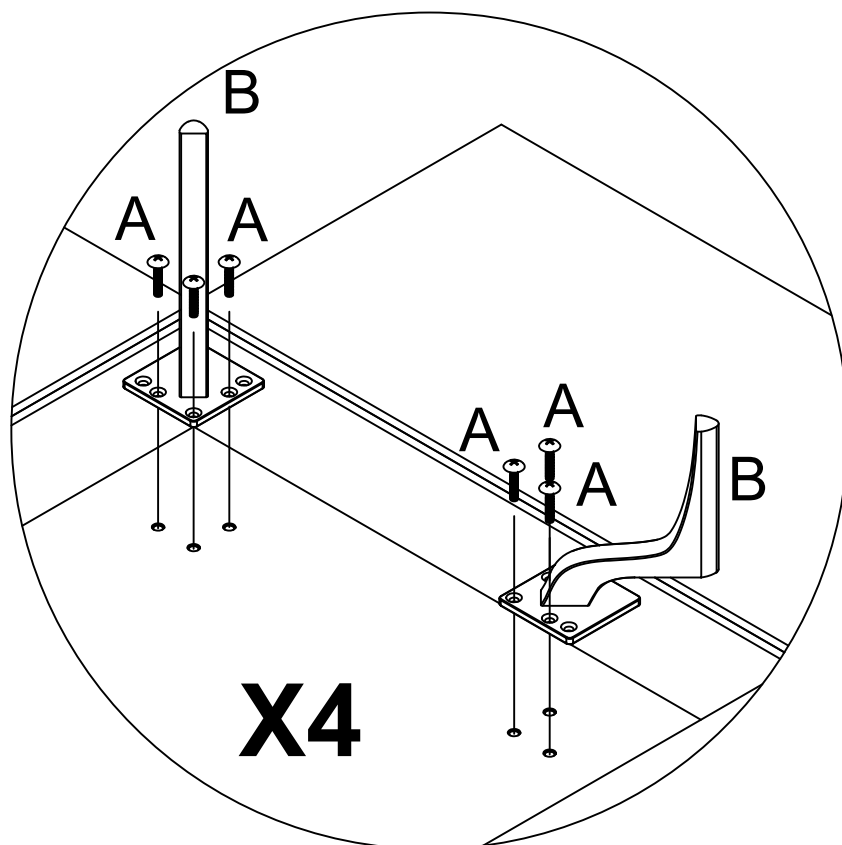
**2** Mount the feet on the bottom of the chest of drawers



**FRONTSIDE**

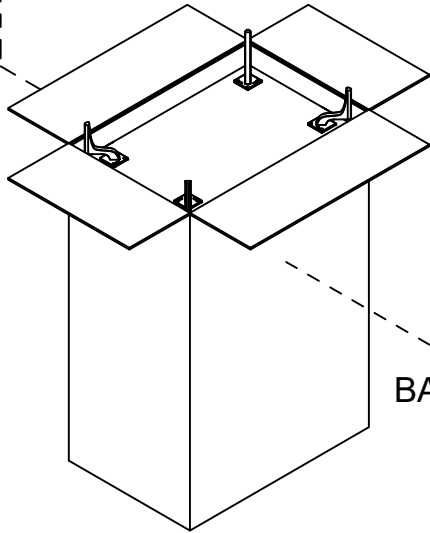


**BACKSIDE**

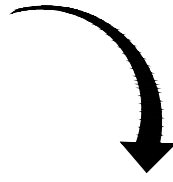


**3** Flip over the chest of drawers on its feet

FRONTSIDE

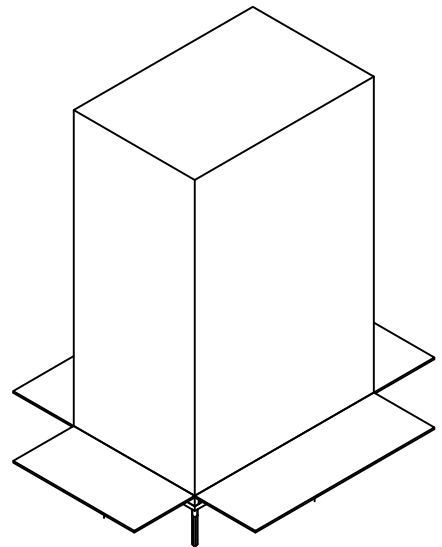
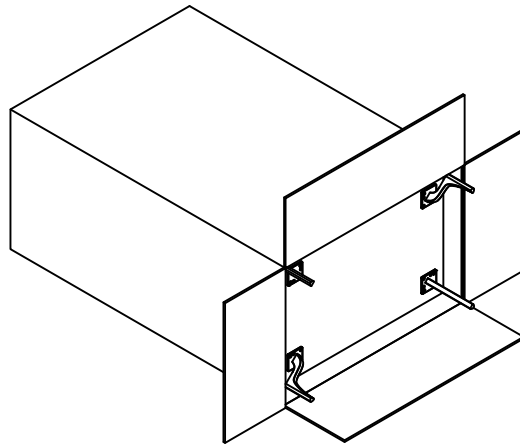
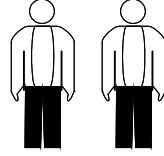


BACKSIDE

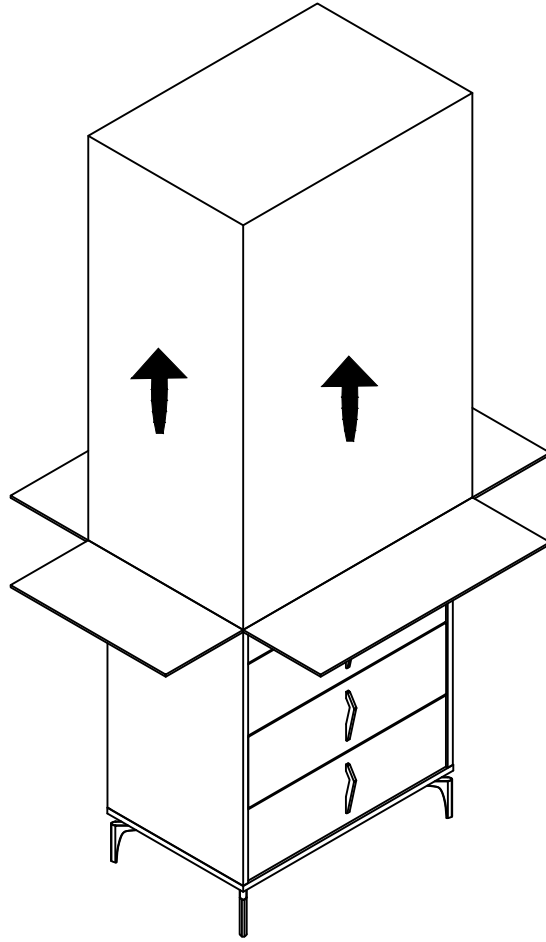


**WARNING**

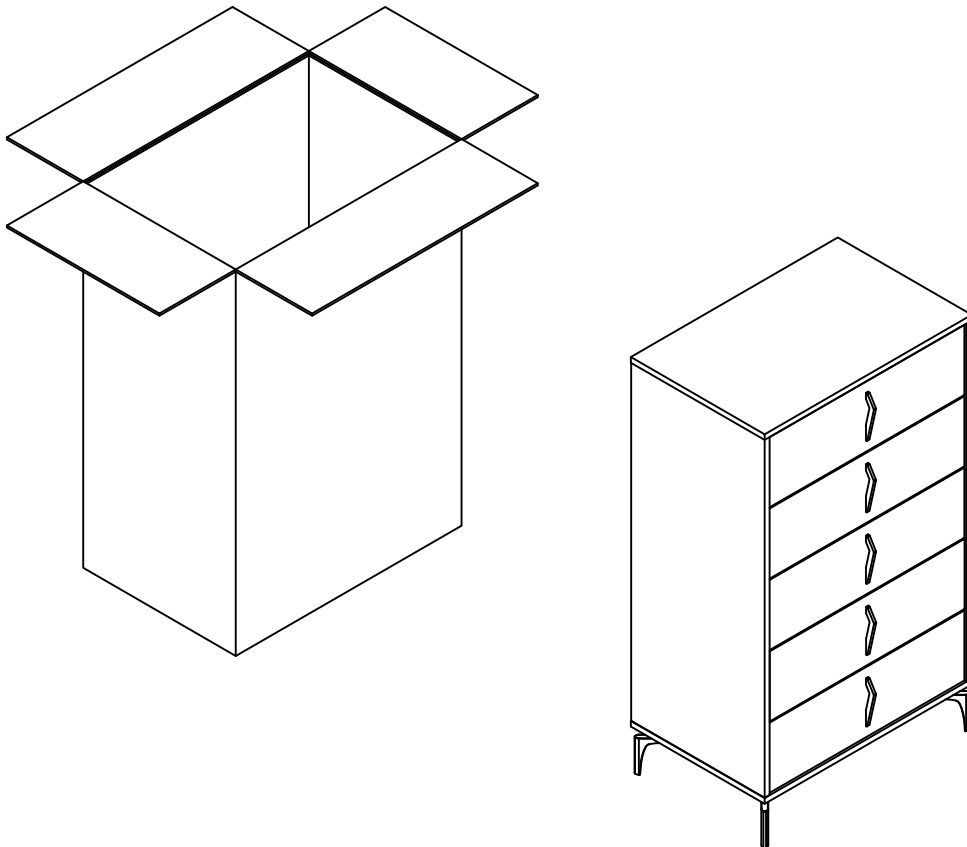
2 people  
required



**4** Lift the carton



**5** Open the first drawer and follow the instruction to fix the chest of drawers by the wall

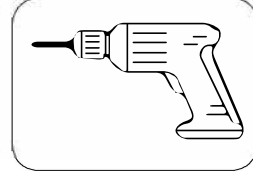
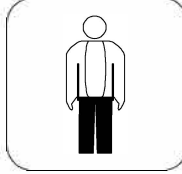


# FIBI

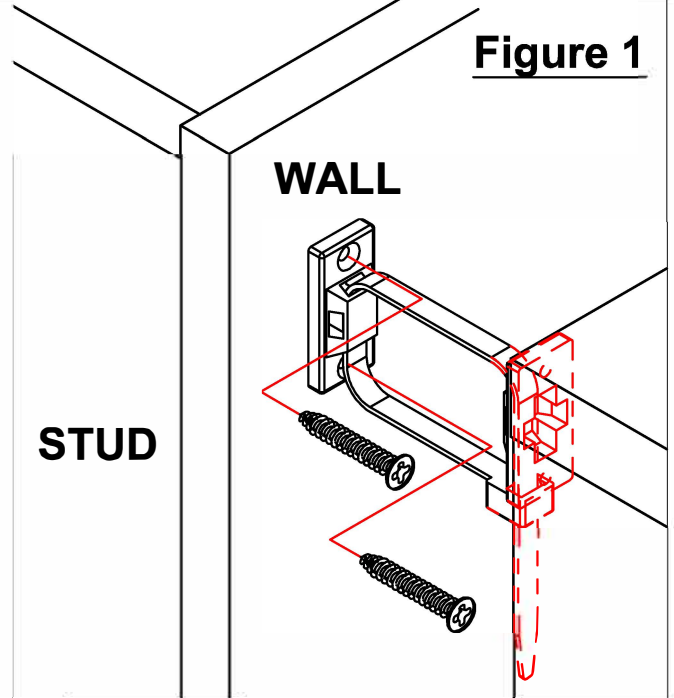
Model	4255		
Item	ANTI-TIP SAFETY HARDWARE INSTALLATION INSTRUCTIONS		
Code	32142541-32642541		
Date	03/01/2023	Rev.	1

Hardware : 4 brackets  
4 1 1/2" screws  
4 3/4" screws  
2 brackets strap

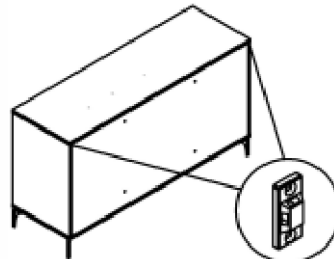
Screwdriver  
Not  
Included



- 1** Determine desired location of furniture piece. Find wall stud behind furniture piece and position one bracket vertically on the stud approximately 1" below the top of furniture piece. Mark and drill pilot hole in the center of the stud with a 3/32" drill bit. Attach bracket to stud with the two 1 1/4" screws. (Figure 1)



**2**



The second bracket will need to be attached horizontally to the top of furniture frame. Temporarily move furniture away from wall and place a bracket near top of frame. Mark and drill holes for screws with a 3/32" drill bit. Attach bracket to furniture piece with the two 3/4" screws. (Figure 2)

Move furniture piece into its final position, taking care to line up the wall bracket with furniture bracket. Thread the strap through the brackets as shown in the illustrations. Tighten strap until snug. Note: Do not overtighten.

