



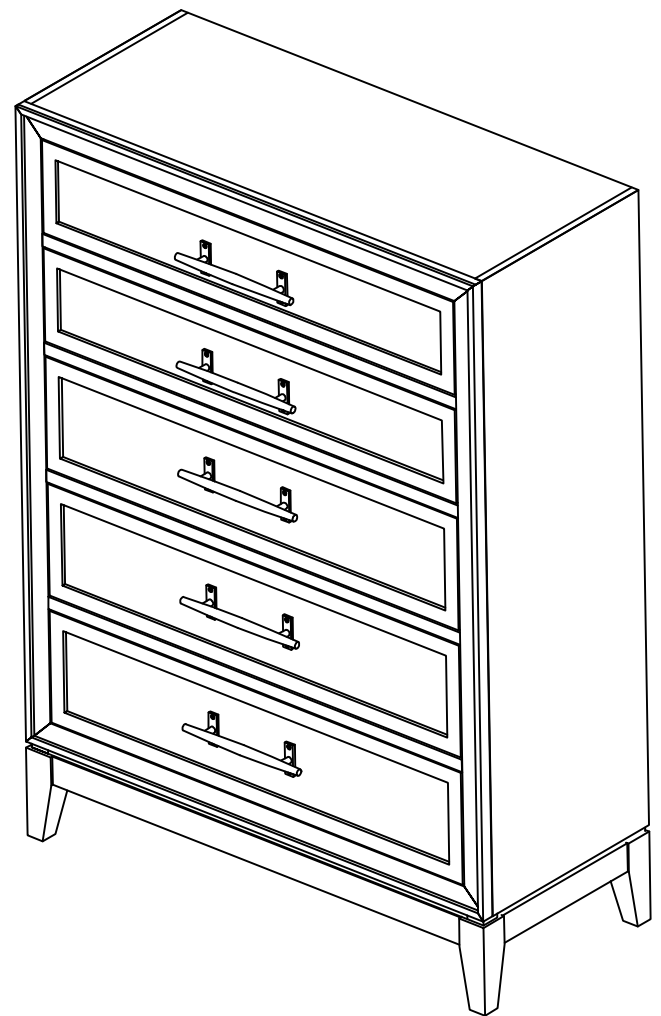


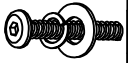


ASSEMBLY INSTRUCTIONS

RHHL 4744-310DWN CHEST

SKU 33647441

Part list			
NO.	Drawing	Qty.	Description
P1		1	Drawer chest
P2		4	Legs



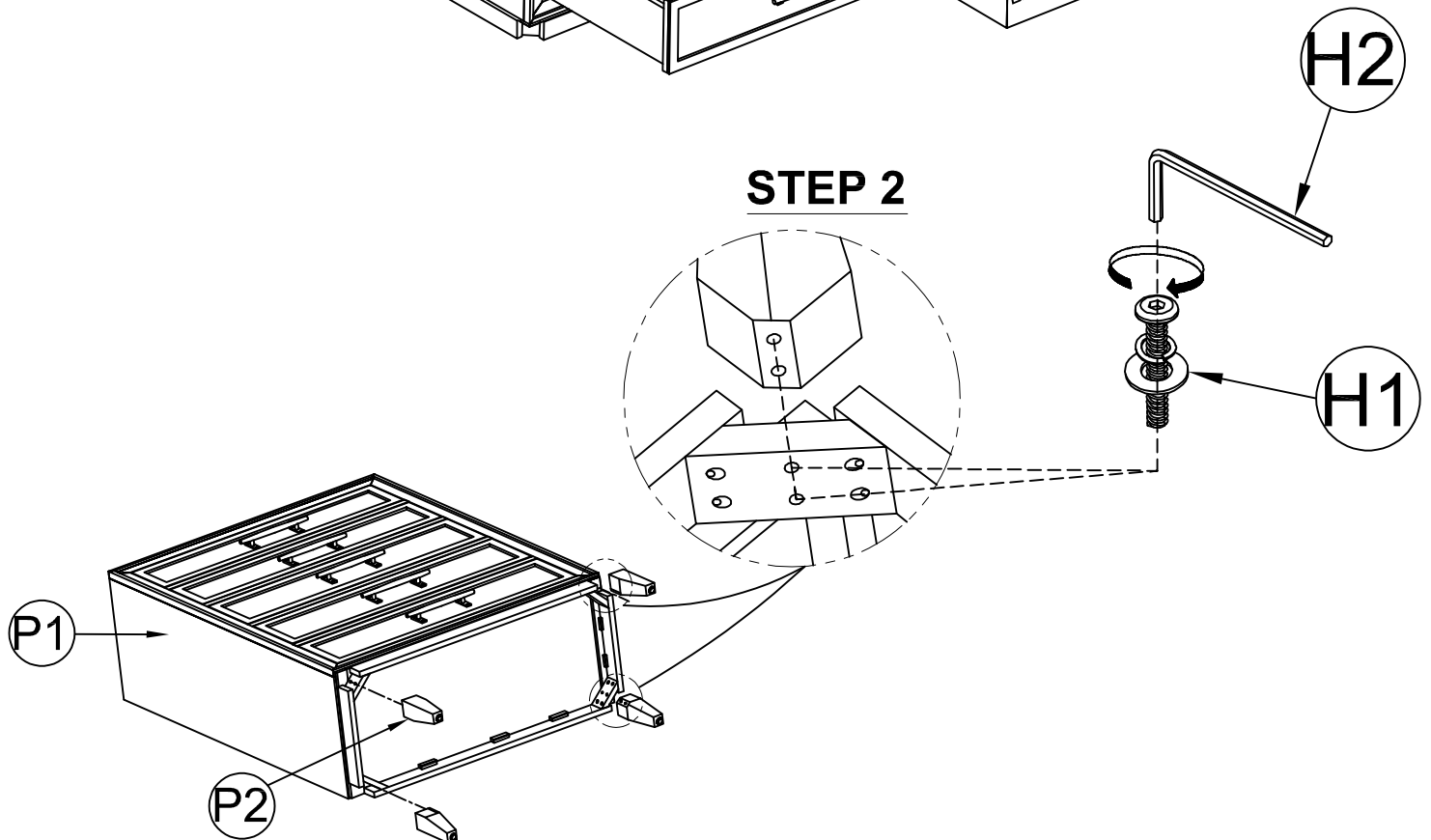
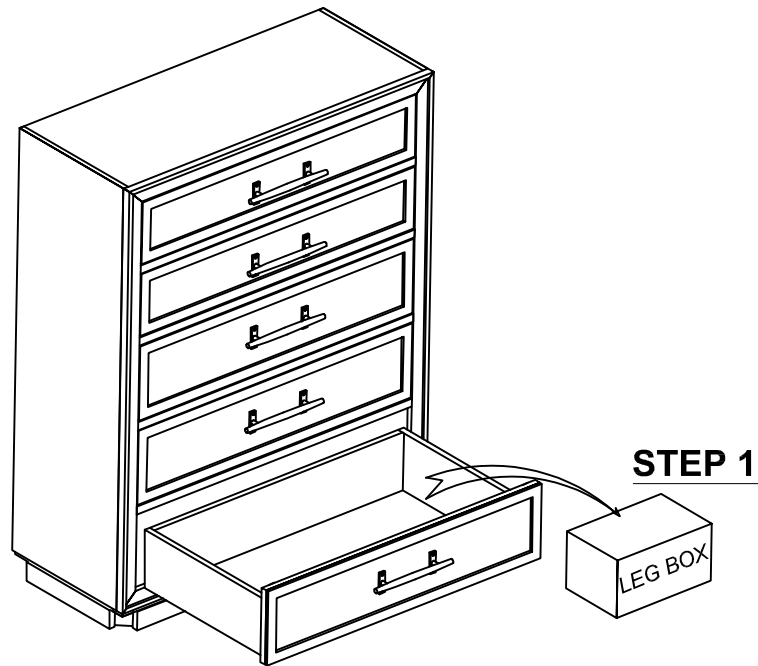
Hardware list			
NO.	Drawing	Qty.	Description
H1		8	Ø5/16" x 50mm L Bolt
		8	Ø5/16" x Ø12mm Spring washer
		8	Ø5/16" x Ø19mm Flat washer
Set bolt H1 = 1 Bolt + 1 Spring washer + 1 Flat washer			
H2		1	Allen wrench (4mm)
H3		1set	Tipping restraint

Tool required



**Tool Required (Not Provided)
Philip Screw Driver**

***Caution : Please read all instructions carefully before starting the assembly process. These parts are cumbersome and heavy. Therefore, two people are recommended in order to prevent personal injury and insure the parts are not damaged during the assembly.



***Caution : Please read all instructions carefully before starting the assembly process. These parts are cumbersome and heavy. Therefore, two people are recommended in order to prevent personal injury and insure the parts are not damaged during the assembly.

