



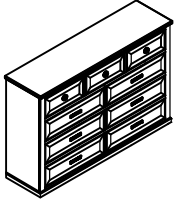


# Assembly Instructions

NCHF B211-075N BUREAU CHEST - SKU# 33652125

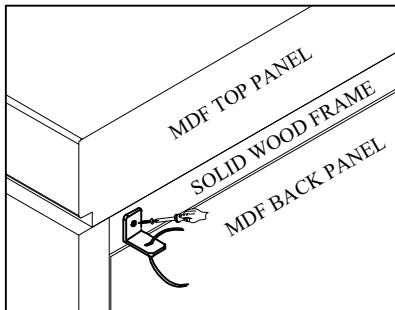
Manufactured by NCHF for Rooms To Go

Step	Code	Hardware	Q'TY
	A	Allen Key	1 Pc
1	B	Bolt 5/16"-18 x 3-3/4"	4 Pcs
		Spring Washer 5/16" dia.	
		Flat Washer 5/16" dia.	

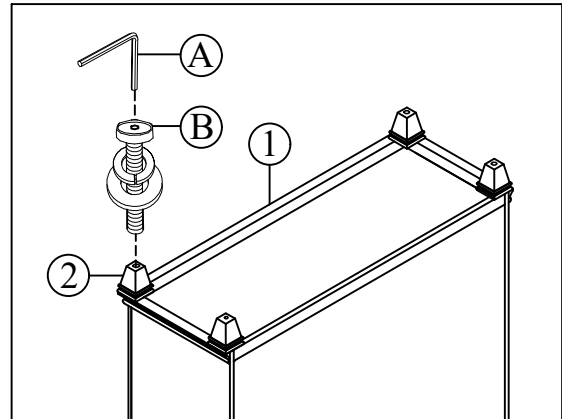
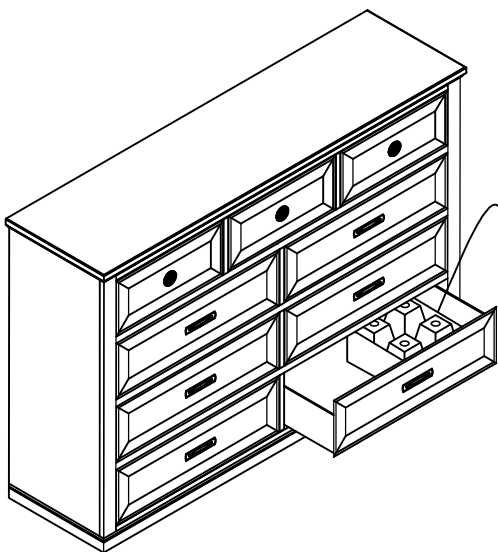
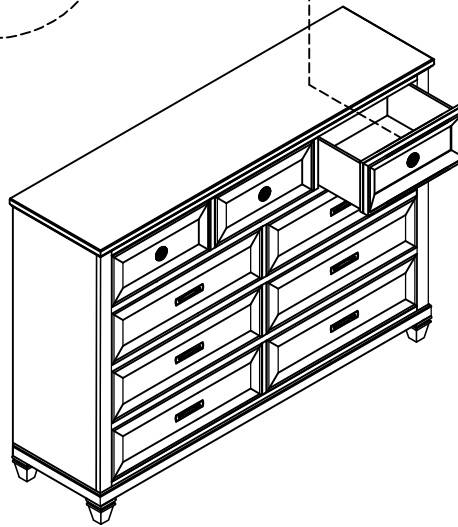
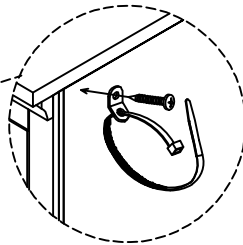
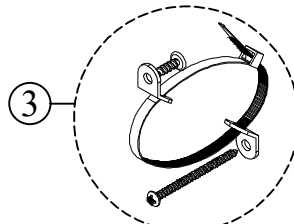
## PARTS LIST


1. Bureau - 1 Pc

2. Foot- 4 Pcs

3. Anti-tip Restraint - 1 Pc

\* Remarks: Tipping Restraint kit provided must be install to solid woodback frame only. Do not install to mdf top panel or MDF back panel.



Tool Required: Philip screwdriver  
(not provided)



HARDWARE PACK LOCATION(S):

NCHF B211-075N BUREAU CHEST - SKU# 33652125