

**ROOMS  
TO GO**


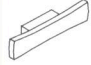



**LWYE ASSEMBLY INSTRUCTIONS**

MODEL : 5450 / 5453

**MEDIA CHEST**

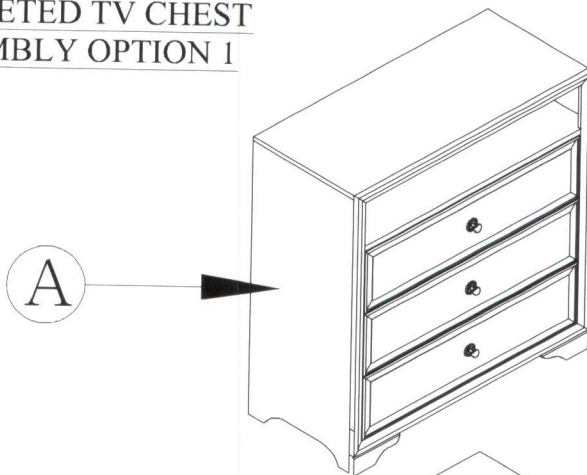
5450 / 5453-16 - SKU # 33654509 / 33654535

Thank you for purchasing this quality product. Be sure to check all packing material carefully for small parts. Which may have come loose inside the carton during shipment. Identify and count all parts and compare with the hardware list below :

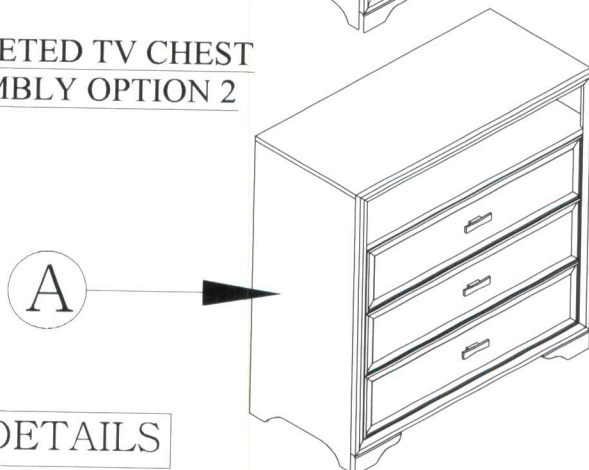
|                       | No. | Picture   | Description         | Dimension | Qty   |
|-----------------------|-----|---|---------------------|-----------|-------|
| Hardware List         | ①   |  | Handle (Option 1)   |           | 3 Pcs |
|                       | ②   |  | Handle (Option 2)   |           | 3 Pcs |
|                       | ③   |  | Handle Screw (28mm) | 4 x 28mm  | 9 Pcs |
|                       | ④   |  | Anti Tipping Kit    |           | 1 Set |
|                       | ⑤   |  | Screw Driver (*)    |           | 1 Pc  |
| Parts List<br>Notes : | No. | Description   |                     |           | Qty   |
|                       | A   | Media Chest   |                     |           | 1 Pc  |

(\*) The manufacturer does NOT provided Item 5.

COMPLETED TV CHEST  
ASSEMBLY OPTION 1



COMPLETED TV CHEST  
ASSEMBLY OPTION 2



**PARTS DETAILS**

**Serious or fatal crushing injuries can occur from furniture tip-over. To help prevent tip-over :**



- \*Place heaviest items in the lowest drawers.
- \*Unless specifically designed to accommodate, do not set TVs or other heavy object on the top of this product.
- \*Never allow children to climb or hang on drawers, doors, or shelves.
- \*Never open more than one drawer at a time.  
(OR)
- \*Do not defeat or remove the drawer interlock system.

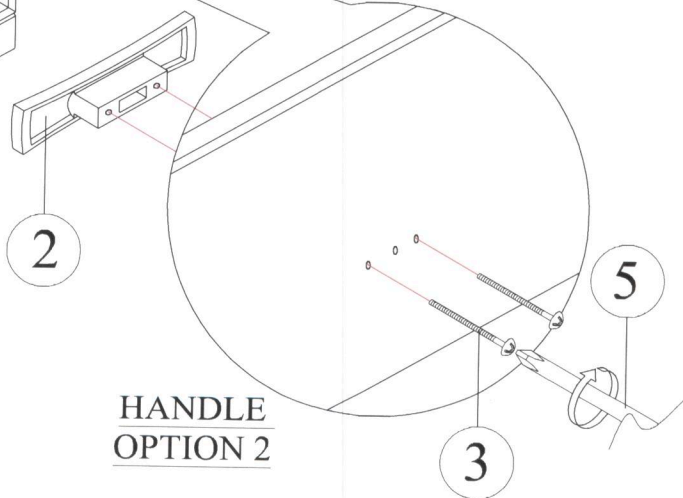
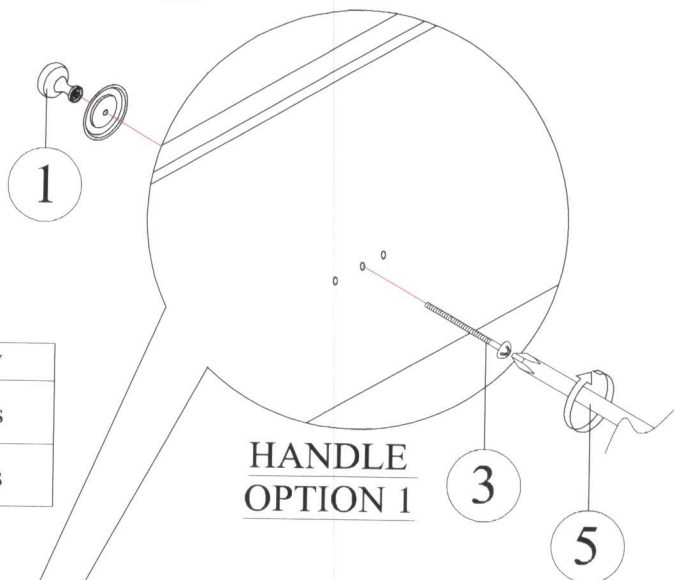
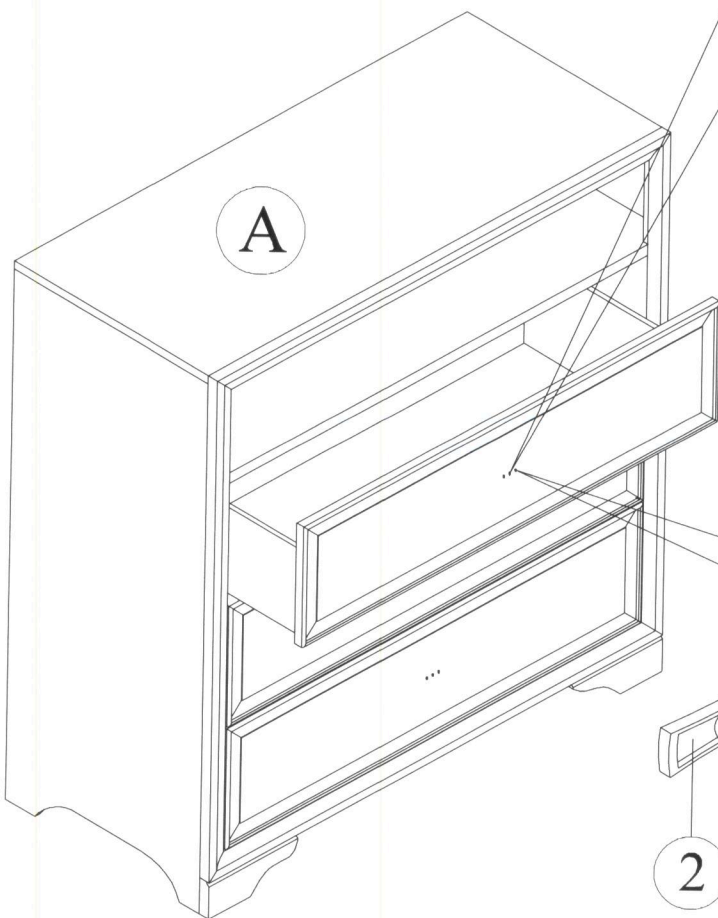
**Use of tip-over restraints may only reduce, but not eliminate the risk of tip over.**

# Assembly step

## STEP 1

To assemble handle to drawer

| No. | Picture   | Description       | Qty   |
|-----|---|-------------------|-------|
| ①   |  | Handle (Option 1) | 3 Pcs |
| ②   |  | Handle (Option 2) | 3 Pcs |



NOTE :