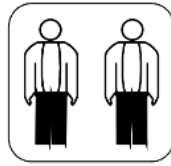
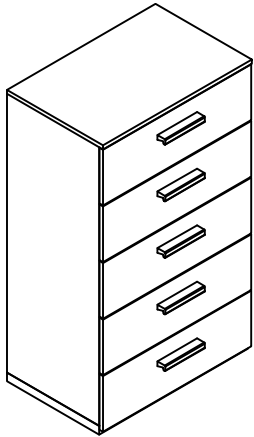


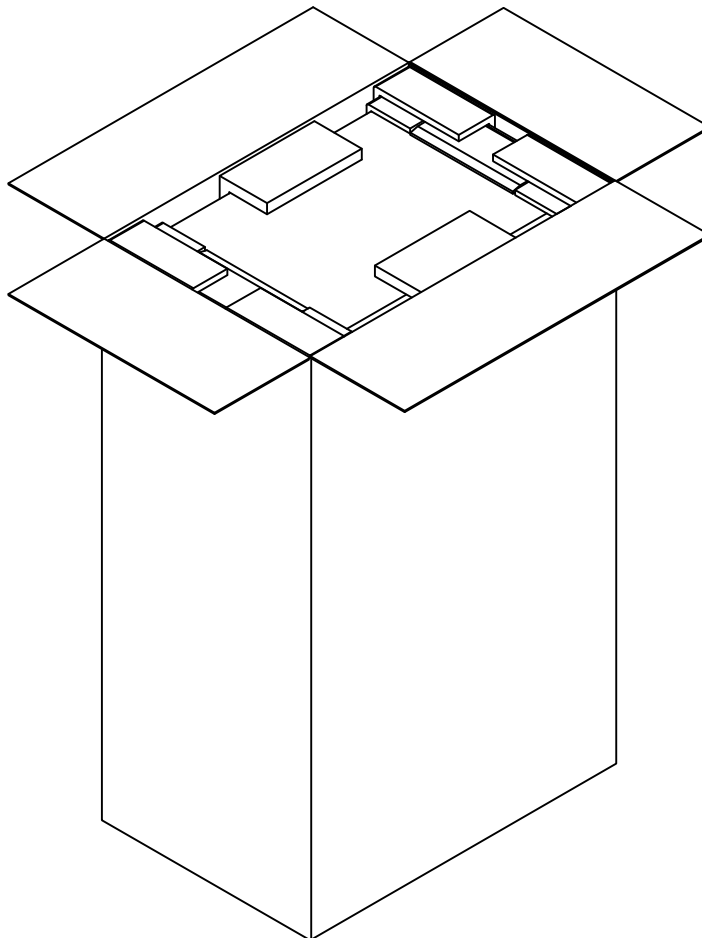
# FIBI

Model	BEATRICE		
Item	CHEST OF 5 DRAWERS ASSEMBLING		
Code	7222	SKU #	33672228
Date	08/01/2024	Rev.	2

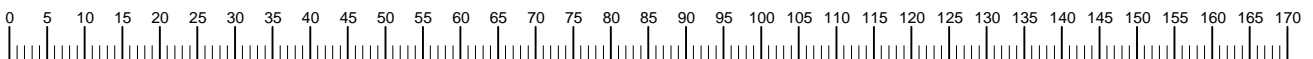


**1**

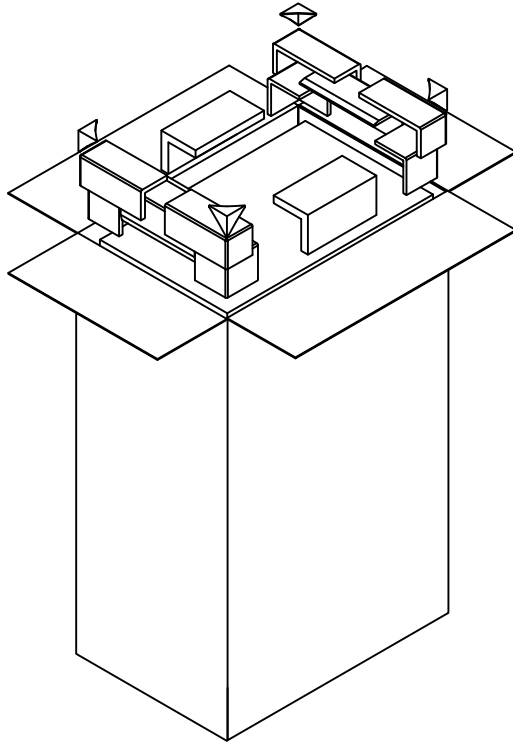
Open chest of drawers box from the bottom side



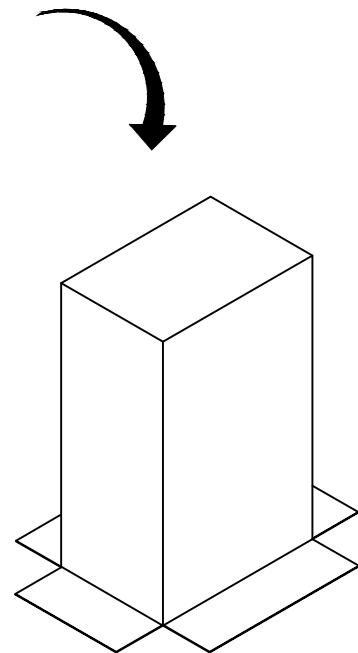
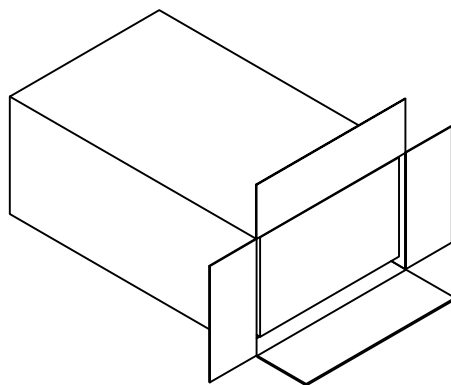
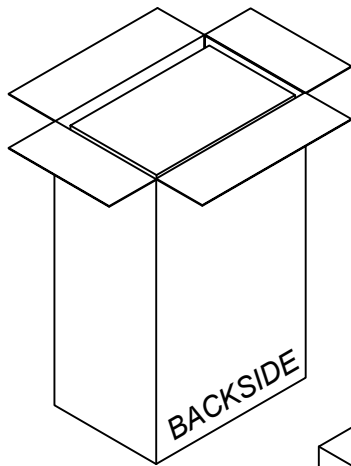
Do not remove carton during the assembly process.



**2** Remove the protections from the bottom of the chest of drawers box.

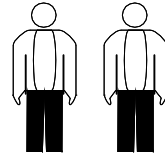


**3** Flip over the chest of drawers box.

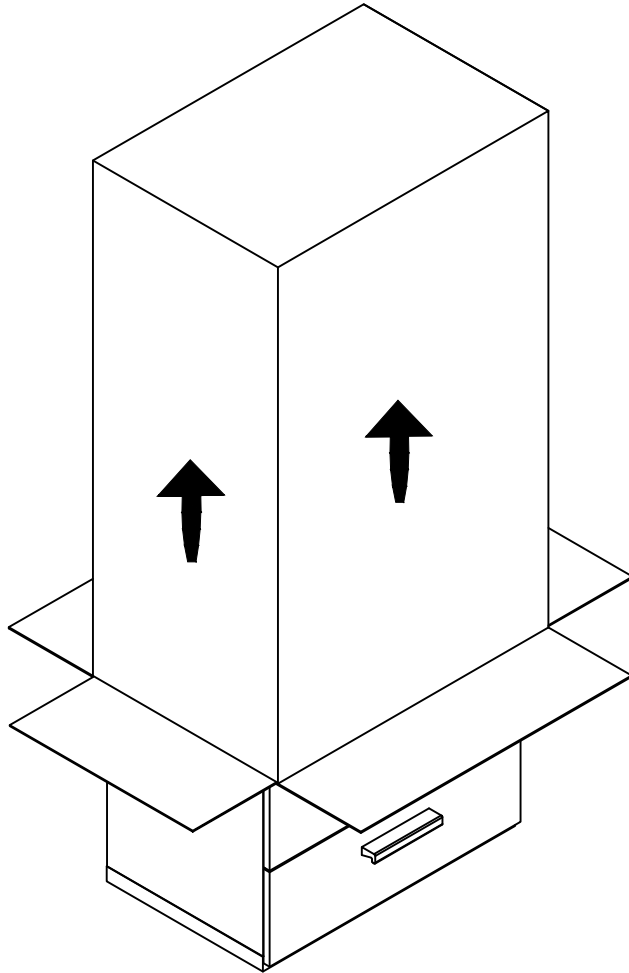


**WARNING**

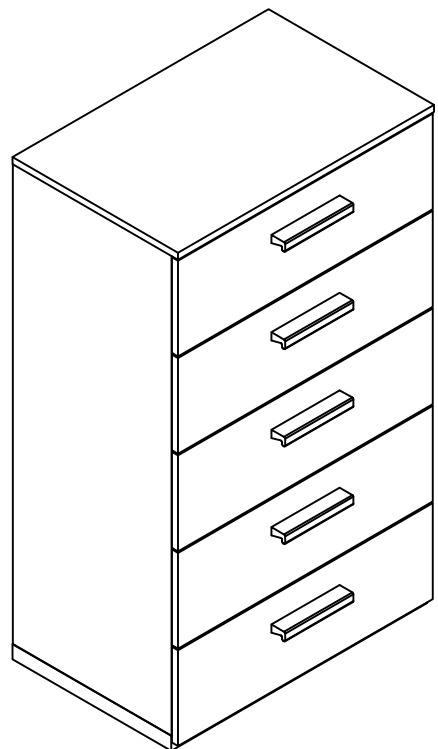
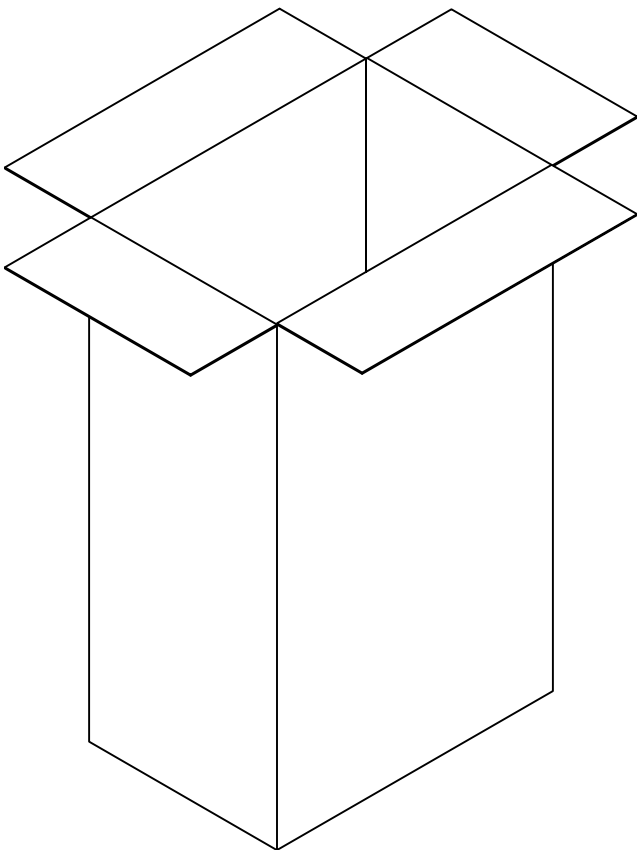
2 people  
required



**4** Lift the carton



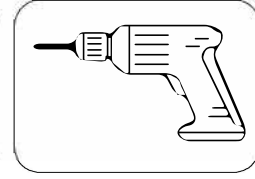
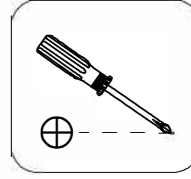
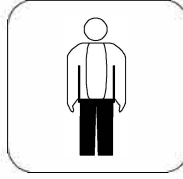
**5** Open the first drawer and follow the instruction to fix the chest of drawers by the wall



# FIBI

Model	BEATRICE		
Item	CHEST OF 5 DRAWERS ASSEMBLING		
Code	7222	SKU #	33672228
Date	08/01/2024	Rev.	2

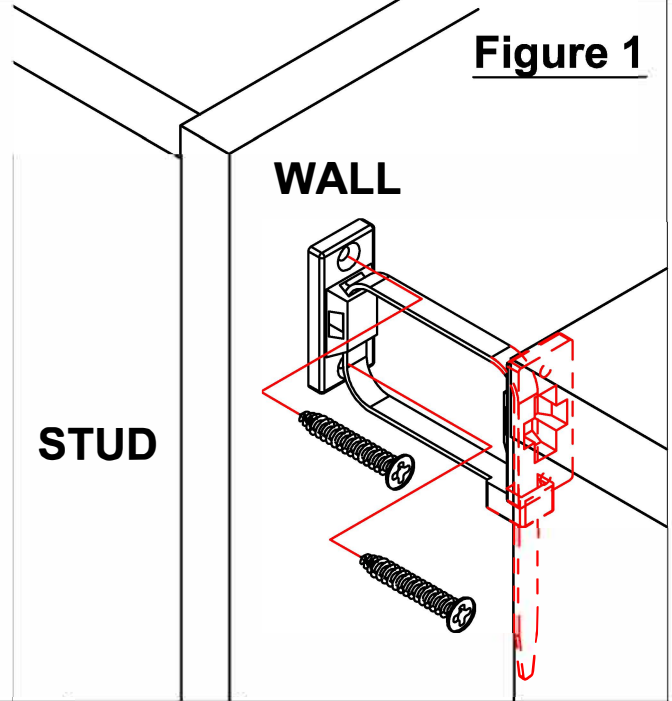
Hardware : 4 brackets  
4 1 1/2" screws  
4 3/4" screws  
2 brackets strap



**1** Determine desired location of furniture piece. Find wall stud behind furniture piece and position one bracket vertically on the stud approximately 1" below the top of furniture piece. Mark and drill pilot hole in the center of the stud with a 3/32" drill bit. Attach bracket to stud with the two 1 1/4" screws. (Figure 1)



Anti Tip Hardware Included



**2**

The second bracket will need to be attached horizontally to the top of furniture frame. Temporarily move furniture away from wall and place a bracket near top of frame. Mark and drill holes for screws with a 3/32" drill bit. Attach bracket to furniture piece with the two 3/4" screws. (Figure 2)  
Move furniture piece into its final position, taking care to line up the wall bracket with furniture bracket. Thread the strap through the brackets as shown in the illustrations. Tighten strap until snug. Note: Do not overtighten.

