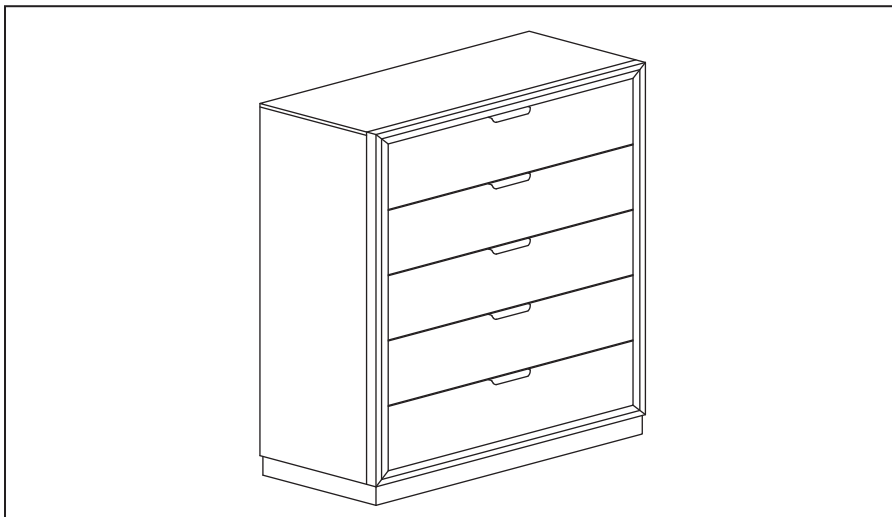


ASSEMBLY INSTRUCTIONS

TCHI 7368-6N CHEST SKU #33673686

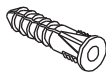



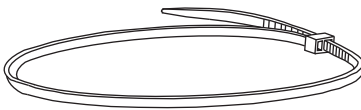
*** Thank you for purchasing this quality product. Be sure to check all packaging materials carefully for small parts which may have come loose inside the carton during shipment. Identify and count all parts and compare with the parts list / hardware list below.

PARTS LIST

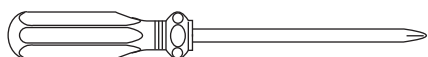


Chest : 1pc

HARDWARE LIST

A 	B 	C 
Plastic Anchor: 1pc	Long Screw: 1pc	Short Screw: 1pc
D 	E 	
Metal Bracket: 2pcs	Nylon Strap: 1pc	

TOOL REQUIRED



Phillips Screwdriver (Not provided)

ASSEMBLY TIPS:

1. Remove hardware from box and sort by size.
2. Please check to see that all hardware and parts are present prior start of assembly.
3. Please follow attached instructions in the same sequence as numbered to assure fast and easy assembly.

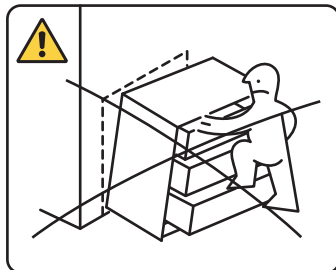
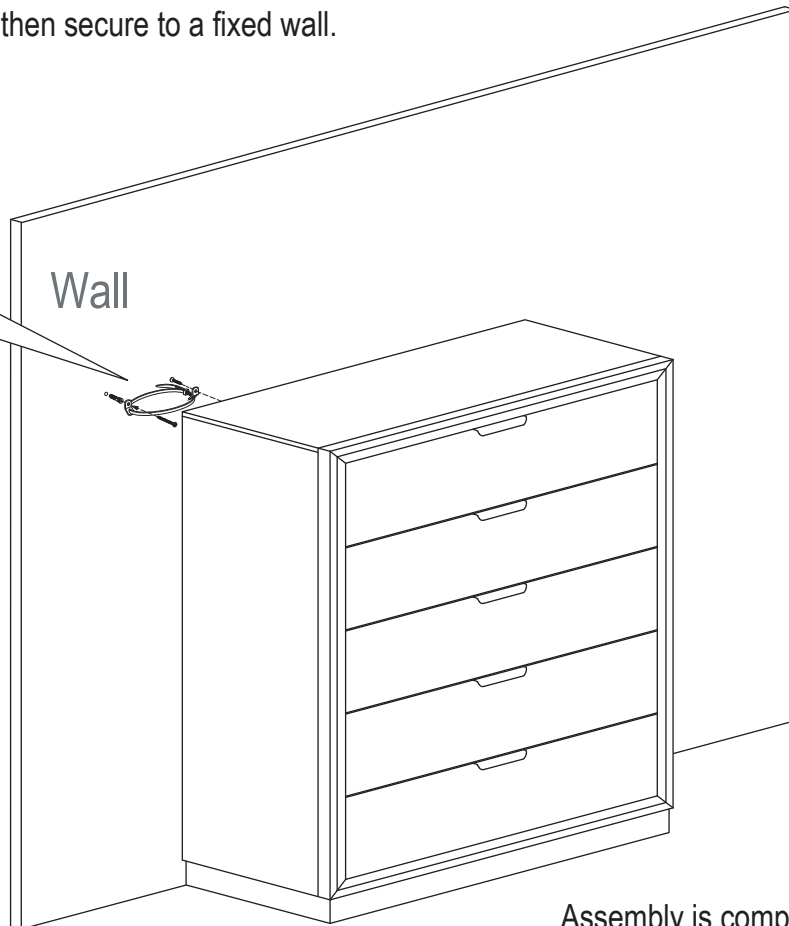
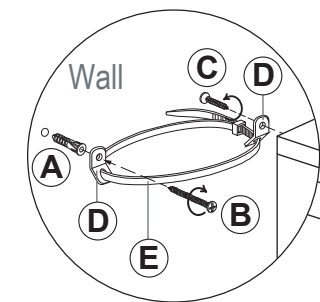
ASSEMBLY INSTRUCTIONS

TCHI 7368-6N CHEST SKU #33673686

*** Thank you for purchasing this quality product. Be sure to check all packaging materials carefully for small parts which may have come loose inside the carton during shipment. Identify and count all parts and compare with the parts list / hardware list.

ANTI-TIP KIT ASSEMBLY

Screw anti-tip kit to Chest and then secure to a fixed wall.



Assembly is completed.

WARNING!

1. To prevent injury and property damage from unexpected of furniture, we highly recommend installation of the anti-tip kit included with this product.
*** **Before drilling check wall for hidden pipes and cables.**
2. Don't attempt to repair or modify parts that are broken or defective.
Please contact the store immediately.
3. This product is for home use only and not intended for commercial establishments.

CLEANING INSTRUCTION:

- Clean with a soft cloth and warm water with a diluted mild detergent.
- Follow with a soft cloth and clear water rinse, then dry thoroughly with a soft cloth.