
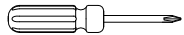


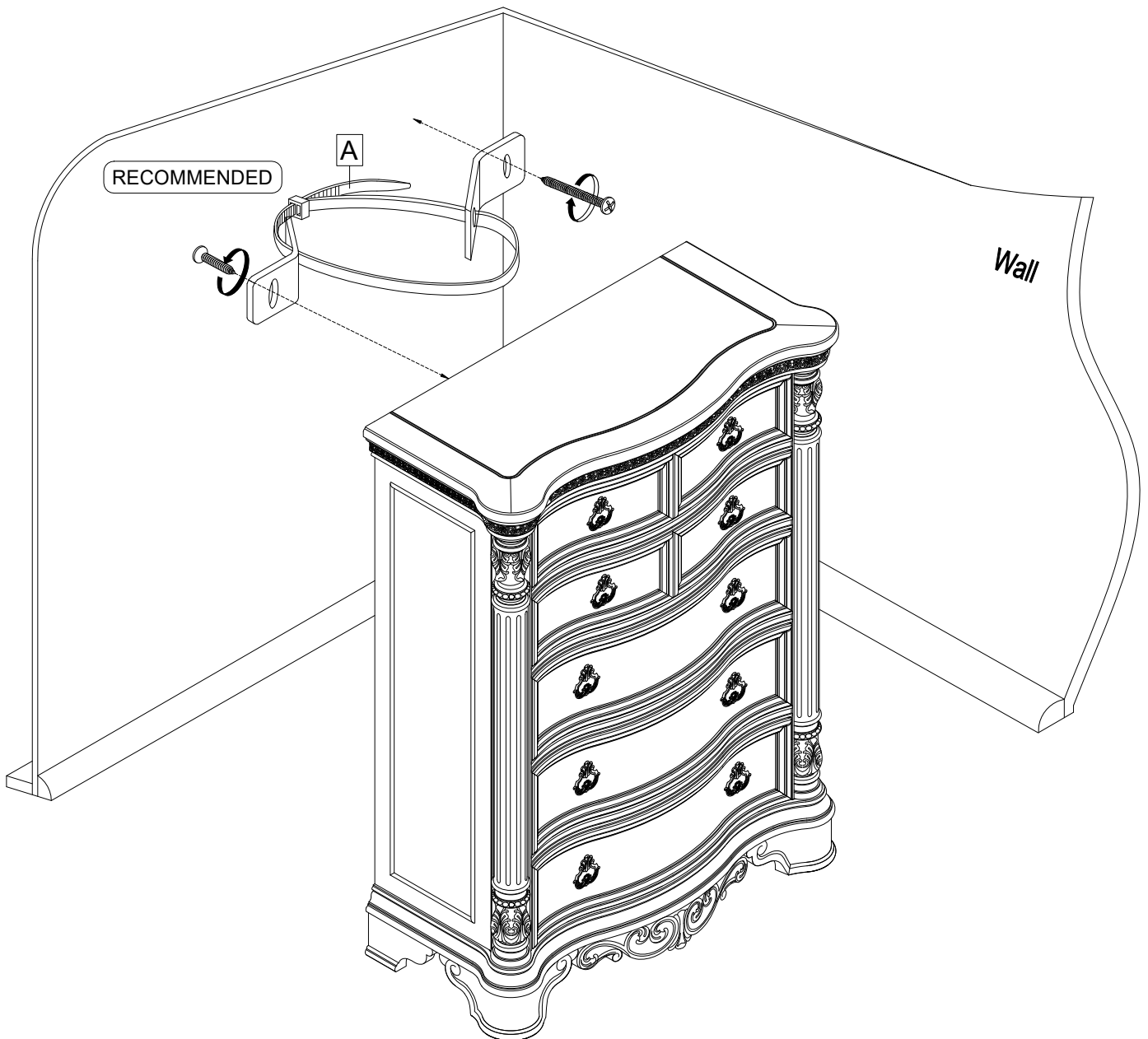
Assembly Instructions

HMIS B9500-60N DRAWER CHEST SKU#: 33695036

***Caution: Please read all instructions carefully before starting the assembly process. These parts are cumbersome and heavy. Therefore, two people are recommended in order to prevent personal injury and ensure the parts are not damaged during the assembly.

Step	Code	Hardware List		
1	A	Furniture Tipping Restraint		1Set

TOOLS REQUIRED (NOT PROVIDED)	
Description	Sketch
Phillips screwdriver	



This product is manufactured by HMIS for

ROOMS TO GO ►