

CANYON FURNITURE COMPANY

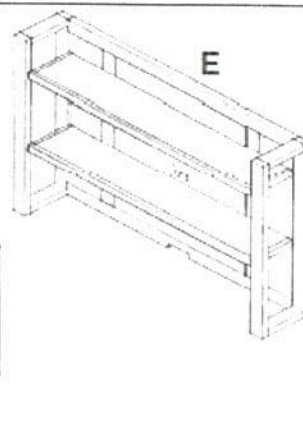
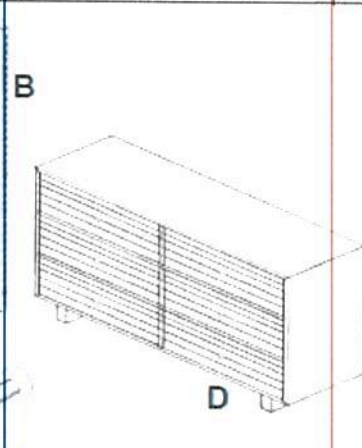
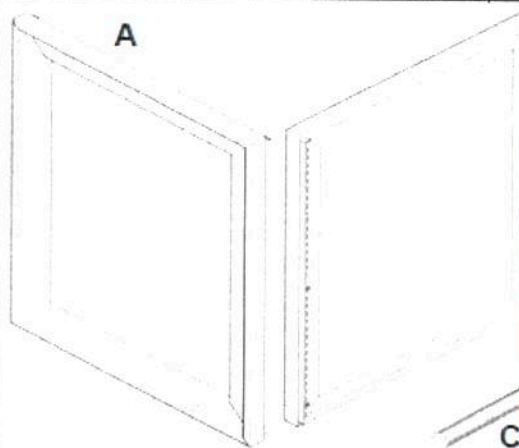
6 DRAWER DRESSER ASSEMBLY INSTRUCTIONS (26-206)

LIST OF CONTENTS

MOSS CREEK COLLECTION

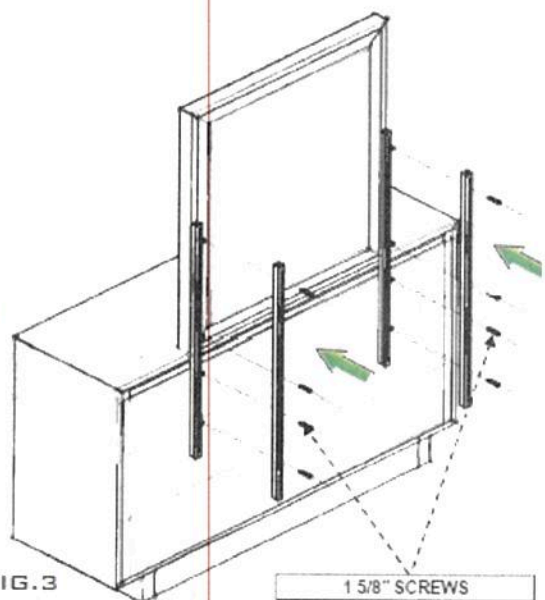
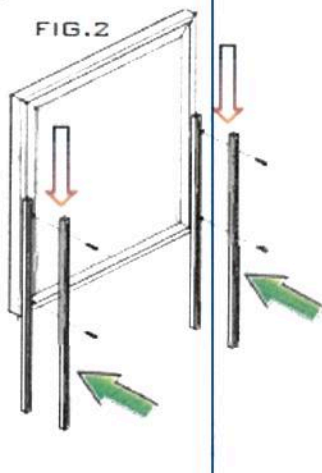
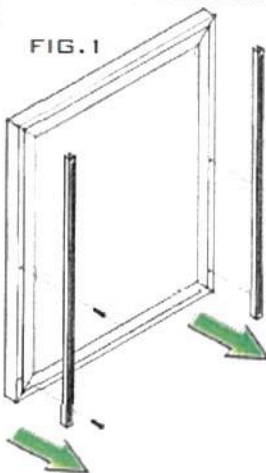
THANK YOU FOR YOUR PURCHASE ! PLEASE CONTACT YOUR RETAIL STORE WITH SERVICE OR PARTS REPLACEMENT REQUEST

LANDSCAPE MIRROR BOX (26-300)	6 DRAWER DRESSER BOX (26-206)	COMPUTER HUTCH BOX (26-765)
A - (1) LANDSCAPE MIRROR B - (2) 36" METAL SUPPORTS C - (4) 1 5/8" SCREWS HARDWARE PACK (HPK00106)	D - (1) 6 DRAWER DRESSER	E - (1) COMPUTER DESK HUTCH B - (2) 36" METAL SUPPORTS HARDWARE PACK (HPK00106) (2 PCS)
TOOLS NEEDED		
PHILLIPS HEAD SCREWDRIVER (NOT INCLUDED)		C - (4) 1 5/8" SCREWS



6 DRAWER DRESSER WITH LANDSCAPE MIRROR ASSEMBLY

- 1 - UNPACK THE LANDSCAPE MIRROR (A) AND REMOVE THE 1 5/8" SCREWS AND THE 36" METAL SUPPORT INSTALLED IN THE LANDSCAPE MIRROR, USING YOUR PHILLIPS SCREWDRIVER (FIG.1), THEN SLIDE DOWN BOTH 36" METAL SUPPORTS AND REPLACED CONNECTING USING REMOVAL SCREWS. SEE FIG.2
- 2 - TAKE THE 6 DRAWER DRESSER (D) AND PLACE IT NEAR TO THE FINAL POSITION IN THE ROOM
- 3 - CAREFULLY PLACE LANDSCAPE MIRROR ON THE 6 DRAWER DRESSER AND LINE UP CENTER.
- 4 - ATTACH THE 36" METAL SUPPORTS TO 6 DRAWER DRESSER, BY ALIGNING 36" METAL SUPPORTS WITH THE HOLES IN THE 6 DRAWER DRESSER, USING YOUR PHILLIPS SCREWDRIVER TIGHT ALL SCREWS, SEE FIG.3

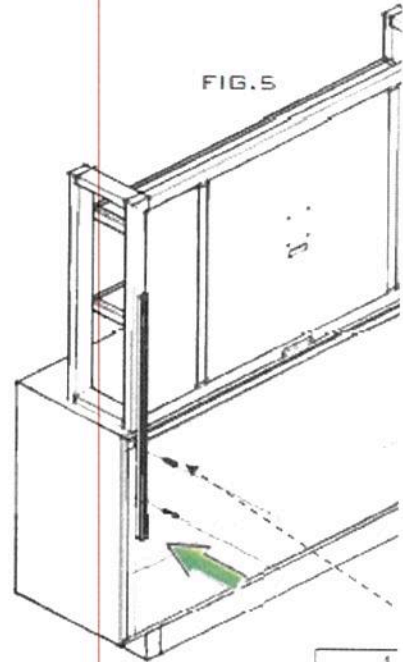
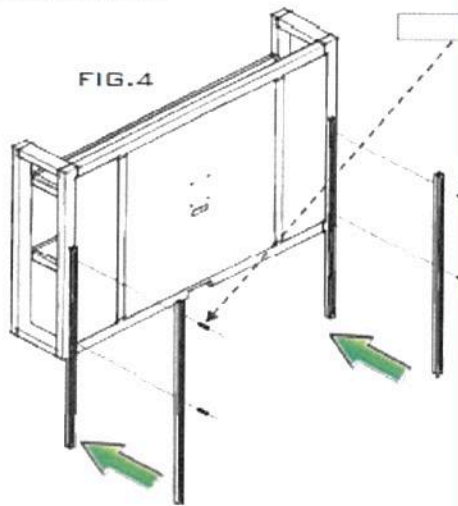


IMPORTANT NOTES :
HANDLE THE MIRROR WITH CARE. GLASS IS FRAGILE. BEFORE YOU BEGIN YOUR PROJECT, COMPLETELY READ THE ASSEMBLY INSTRUCTIONS

CANYON FURNITURE COMPANY

6 DRAWER DRESSER WITH COMPUTER HUTCH ASSEMBLY

- 1.- UNPACK THE COMPUTER HUTCH (E), IDENTIFY THE HOLES IN THE HUTCH THEN INSTALLED THE 36" METAL SUPPORTS (B). ATTACH WITH 1 5/8" SCREWS (C) SCREWDRIVER TIGHT ALL SCREWS, SEE FIG 4
- 2.- TAKE THE 6 DRAWER DRESSER (D) AND PLACE IT NEAR TO THE FINAL POSITION IN THE ROOM.
- 3.- CAREFULLY PLACE COMPUTER HUTCH ON THE 6 DRAWER DRESSER AND LINE UP CENTER.
- 4.- ATTACH THE 36" METAL SUPPORTS TO 6 DRAWER DRESSER (D) BY ALIGNING 36" METAL SUPPORTS WITH THE HOLES IN THE DRESSER, USING YOUR PHILIPS SCREWDRIVER TIGHT ALL SCREWS, SEE FIG 5



IMPORTANT NOTES :
HANDLE THE MIRROR WITH CARE, GLASS IS FRAGILE. BEFORE YOU BEGIN YOUR PROJECT, COMPLETELY READ THE ASSEMBLY INSTRUCTIONS

