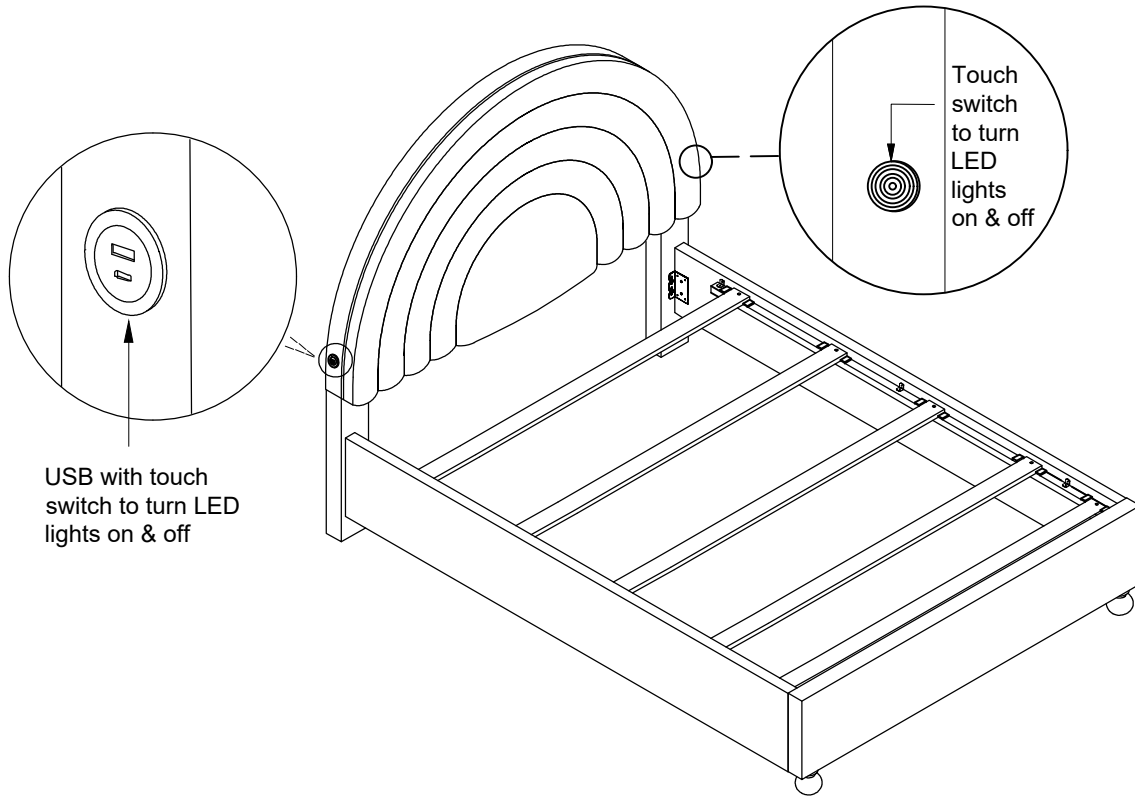


RAINBOW JOY

TWIN UPHOLSTERED BED



Bed Package No.	COLOR	SKU#	STYLE	ITEM DESCRIPTION
3400604P	PINK	34606042	604-1T-1	TWIN UPH HEADBOARD W/USB & LED
		34706044	604-1T-2	TWIN UPH FOOTBOARD & SIDE RAIL W/SLATS
3400605P	PURPLE	34606054	604-2T-1	TWIN UPH HEADBOARD W/USB & LED
		34706056	604-2T-2	TWIN UPH FOOTBOARD & SIDE RAIL W/SLATS


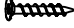

FOOTBOARD, SIDE RAIL, SLAT PART LIST			
	ITEM DESCRIPTION	IMAGE	QTY
E	BUN FOOT		2 PCS
F	SIDE RAIL (R)		1 PC
G	SIDE RAIL (L)		1 PC
H	FOOTBOARD		1 PC
I	SLAT		5 PCS

	ITEM DESCRIPTION	IMAGE	QTY
A	HEADBOARD (Sold separately)		1 PC

DO NOT USE SUBSTITUTE PARTS. PLEASE CONTACT YOUR RETAIL STORE OR WWW.ROOMSTOGO.COM WITH SERVICE OR PARTS REPLACEMENT REQUEST.

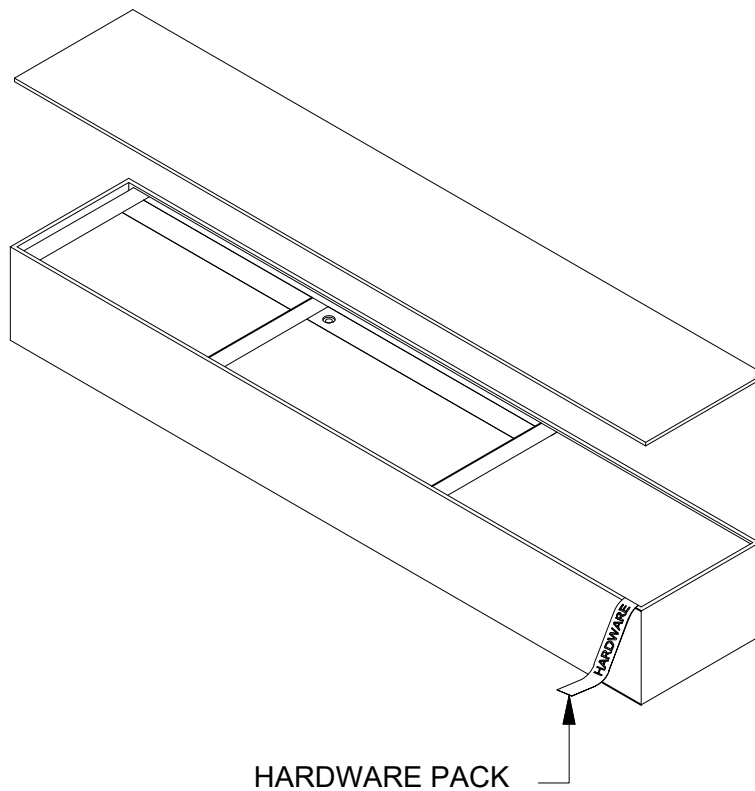
This product is manufactured by (GLOB) for **ROOMS TO GO® | KIDS**

RAINBOW JOY TWIN UPHOLSTERED BED

HARDWARE LIST			
	ITEM DESCRIPTION	IMAGE	QTY
1	ALLEN KEY 4mm		1 PCS
2	SCREW M4 x 1 3/16"		10 PCS
3	PHILIPS SCREWDRIVER (NOT PROVIDED)		1 PCS

HARDWARE PACK LOCATION

Bed Package No.	SKU#	STYLE	ITEM DESCRIPTION	COLOR
3400604P	34706044	604-1T-2	TWIN UPH FOOTBOARD & SIDE RAIL W/SLATS	PINK
3400605P	34706056	604-2T-2	TWIN UPH FOOTBOARD & SIDE RAIL W/SLATS	PURPLE

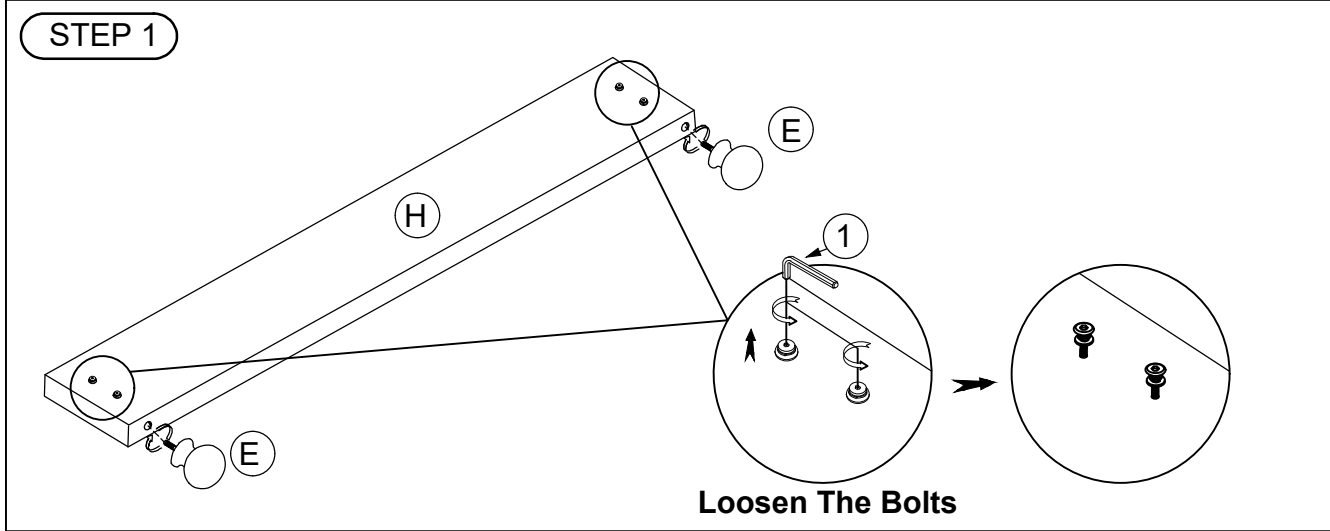


DO NOT USE SUBSTITUTE PARTS. PLEASE CONTACT YOUR RETAIL STORE OR WWW.ROOMSTOGO.COM WITH SERVICE OR PARTS REPLACEMENT REQUEST.

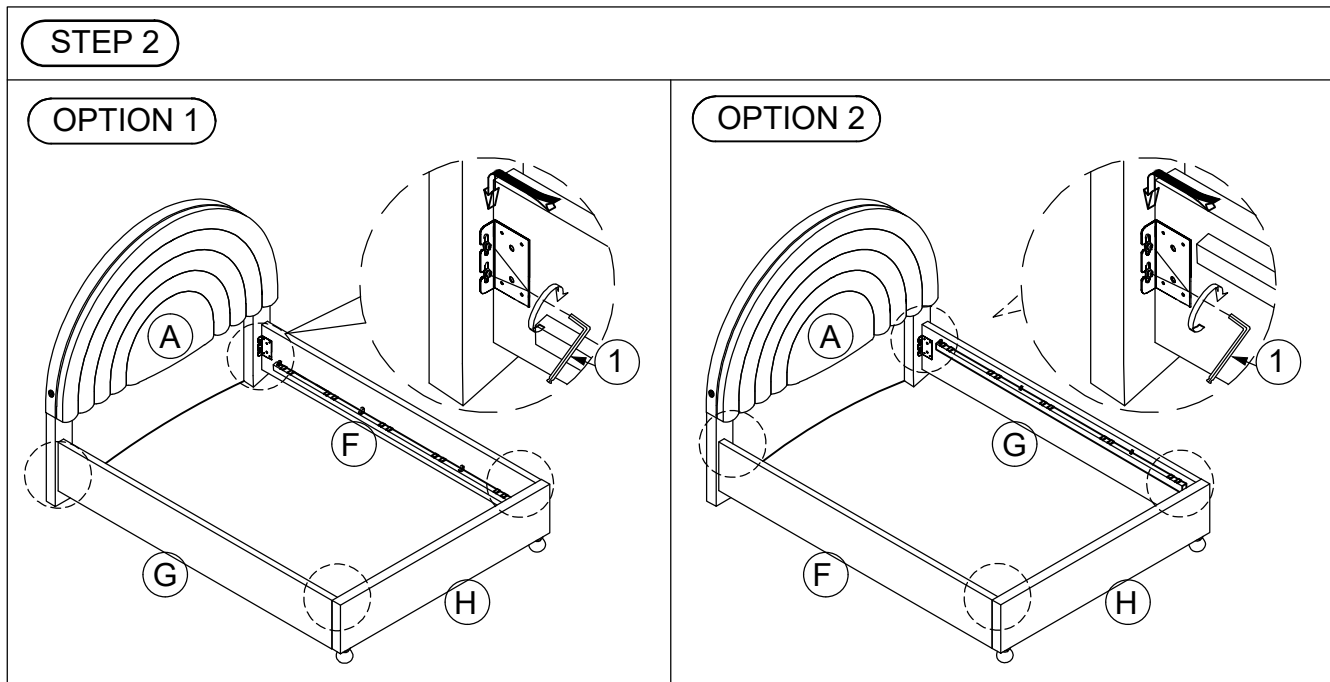
This product is manufactured by (GLOB) for **ROOMS TO GO** | **KIDS**
Version #1 - 2024/09/20

Thank you for purchasing this quality product. Be sure to check all packing material carefully for small parts which may have come loose inside the carton during shipment. Identify and count all parts and compare with the parts list below. Read all instructions before assembling bed and keep these instructions for future reference.

Assembly Instructions:



Secure the Bun foot (E) to the Footboard (H) by screwing into place. Loosen pre-assembled bolts from the Footboard (H) using the provided Allen key (1).



Attach the Side Rail (F) and (G) to the Headboard (A) and Footboard (H). Tighten all the pre-assembled bolts using the Allen Key (1) provided. The side rails can be reversed:
Option 1: The side rails have a cleat in the high position.
Option 2: The side rails have a cleat in the low position.

DO NOT USE SUBSTITUTE PARTS. PLEASE CONTACT YOUR RETAIL STORE OR WWW.ROOMSTOGO.COM WITH SERVICE OR PARTS REPLACEMENT REQUEST.

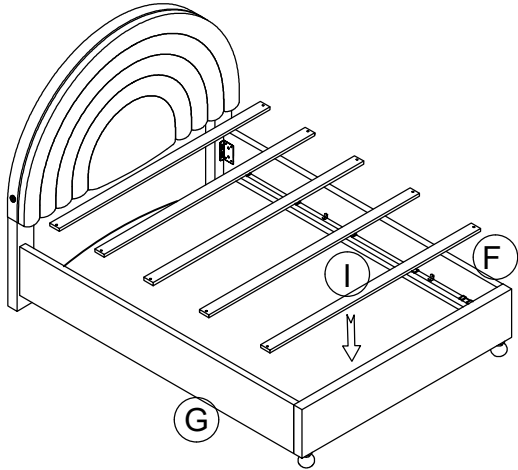
This product is manufactured by (GLOB) for **ROOMS TO GO** | **KIDS**

Thank you for purchasing this quality product. Be sure to check all packing material carefully for small parts which may have come loose inside the carton during shipment. Identify and count all parts and compare with the parts list below. Read all instructions before assembling bed and keep these instructions for future reference.

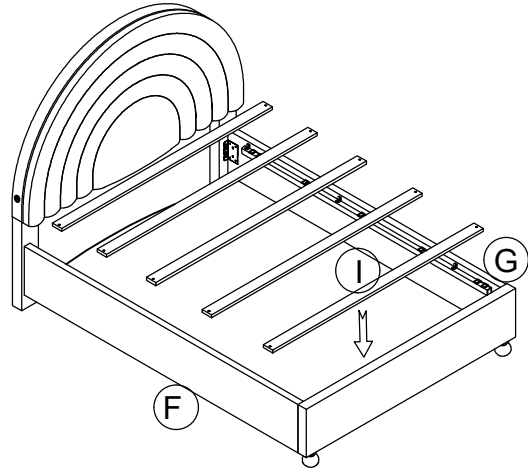
Assembly Instructions:

STEP 3

OPTION 1



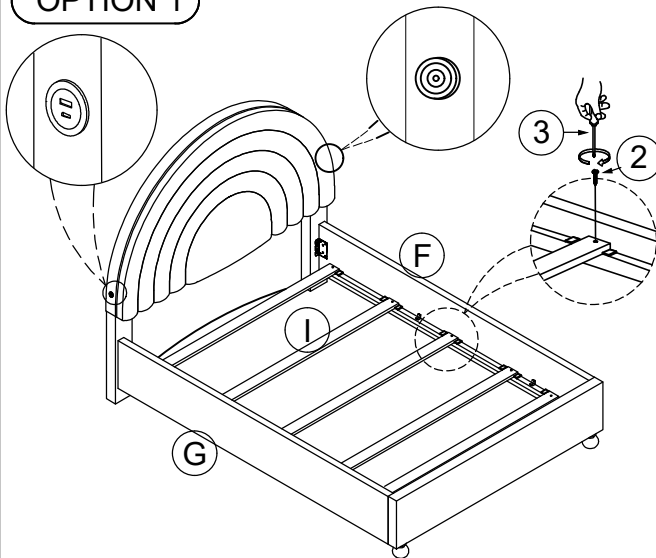
OPTION 2



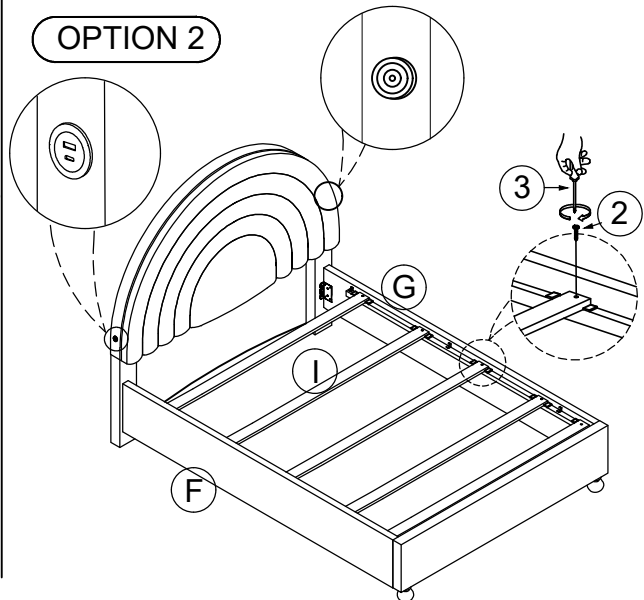
Attach Slats (I) to Side Rail (F) and (G)

STEP 4

OPTION 1



OPTION 2



Tighten Screws (2) to the Slats (I) and Side Rail (F),(G) with Philips Screwdriver (3) (not provided).

DO NOT USE SUBSTITUTE PARTS. PLEASE CONTACT YOUR RETAIL STORE OR WWW.ROOMSTOGO.COM WITH SERVICE OR PARTS REPLACEMENT REQUEST.

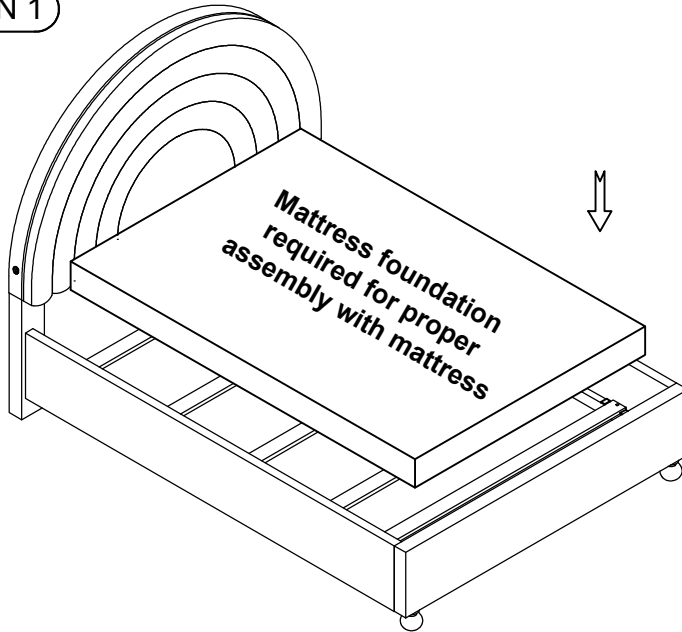
This product is manufactured by (GLOB) for **ROOMS TO GO** | **KIDS**

Thank you for purchasing this quality product. Be sure to check all packing material carefully for small parts which may have come loose inside the carton during shipment. Identify and count all parts and compare with the parts list below. Read all instructions before assembling bed and keep these instructions for future reference.

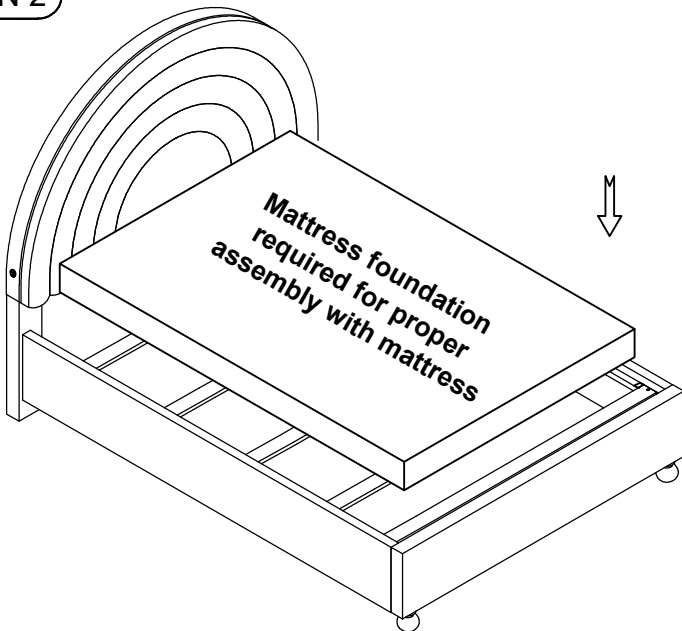
Assembly Instructions:

STEP 5

OPTION 1



OPTION 2



A mattress foundation is required for proper assembly with mattress. Place the mattress foundation (not provided) on top of the slats

DO NOT USE SUBSTITUTE PARTS. PLEASE CONTACT YOUR RETAIL STORE OR WWW.ROOMSTOGO.COM WITH SERVICE OR PARTS REPLACEMENT REQUEST.

This product is manufactured by (GLOB) for **ROOMS TO GO® | KIDS**