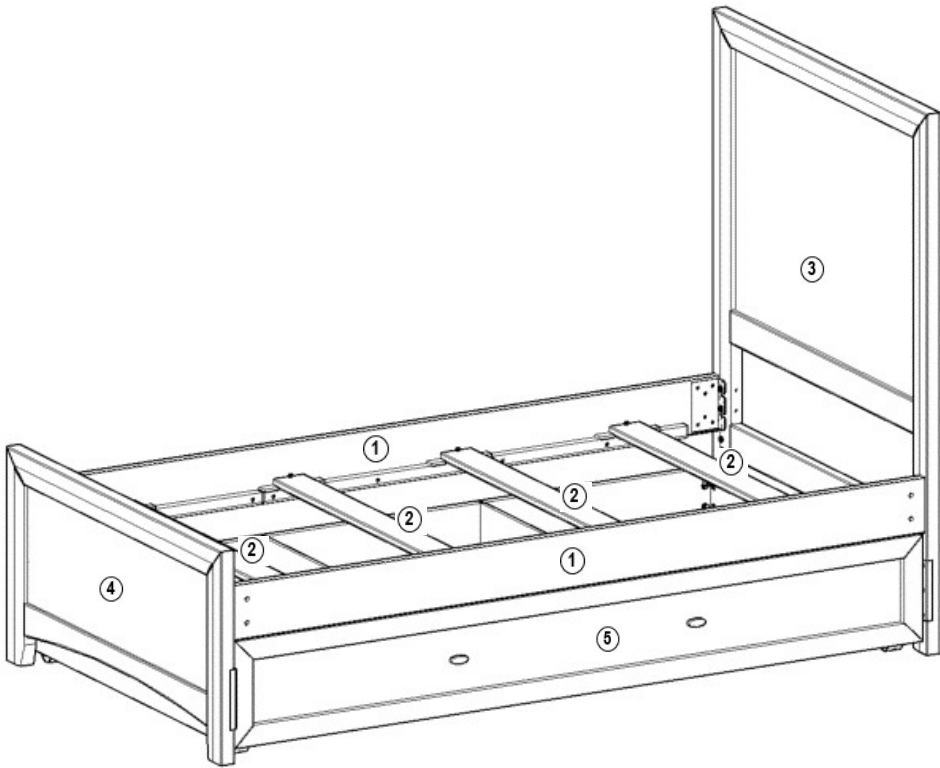










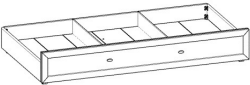
PARTS LIST



3402360P TWIN PANEL BED WALNUT		
RTG SKU #	STYLE #	ITEM DESCRIPTION
34623606	3260115	TWIN PANEL HEADBOARD
34823600	3260813	TWIN FOOTBOARD
35223609	3260771	2 PC. SIDE RAILS
38000232	100-645	4 PC TWIN SLAT PACK
35323601	3260744	TRUNDLE BED OPTIONAL

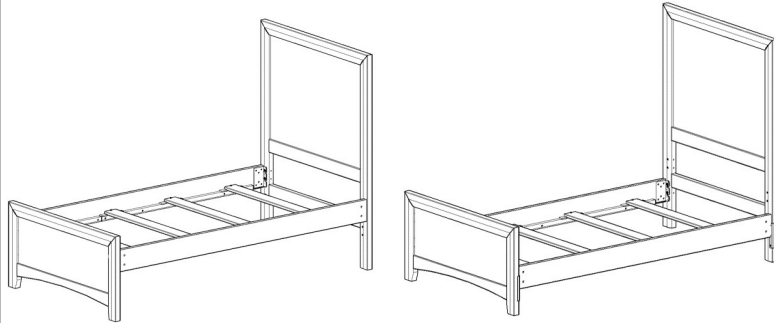
3401326P TWIN PANEL BED WHITE		
RTG SKU #	STYLE #	ITEM DESCRIPTION
34613263	3261115	TWIN PANEL HEADBOARD
34813267	3261813	TWIN FOOTBOARD
35213266	3261771	2 PC. SIDE RAILS
38000232	100-645	4 PC TWIN SLAT PACK
35313268	3261744	TRUNDLE BED OPTIONAL

WARNING:
THE BED SLATS WILL NOT SUPPORT A MATTRESS ALONE, THIS BED REQUIRES A BOX SPRING OR BUNKIE BOARD. SOLD SEPARATELY

PARTS LIST		QTY	PARTS LIST		QTY	HARDWARE LIST		QTY	TOOLS NEEDED	
1	 Side rails	2 Pcs	3	 Twin panel headboard	1 Pc	A	 1 1/4" Screws	8 Pcs	Phillips screwdriver (not included) 	
2	 Twin slats	4 Pcs				B	 Allen wrench	1 Pc	Allen wrench (included) 	
			4	 Twin footboard	1 Pc					
			5	 Trundle bed (Optional)	1 Pc					

ASSEMBLY INSTRUCTIONS

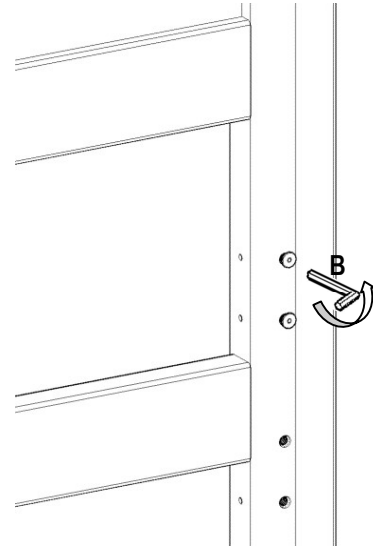
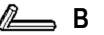
THERE ARE TWO POSSIBLE SETTINGS, HIGH (FACTORY SETTINGS) AND LOW
IF YOU PURCHASE A TRUNDLE BED DO HIGH SETTINGS,
IF NOT DO LOW SETTINGS.



HIGH SETTING STEPS 1-5

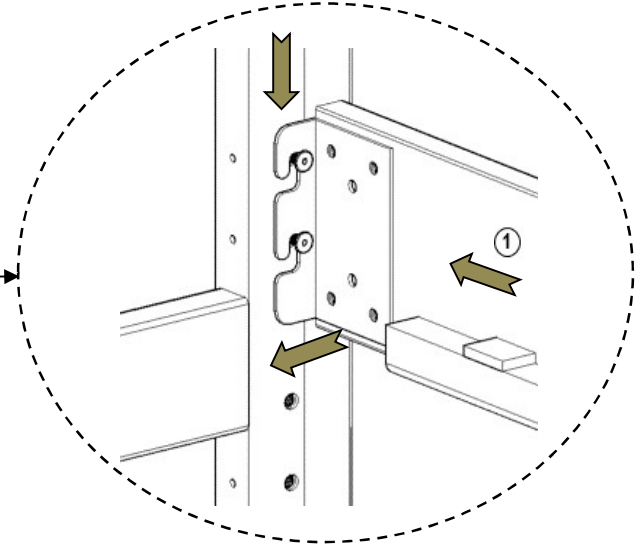
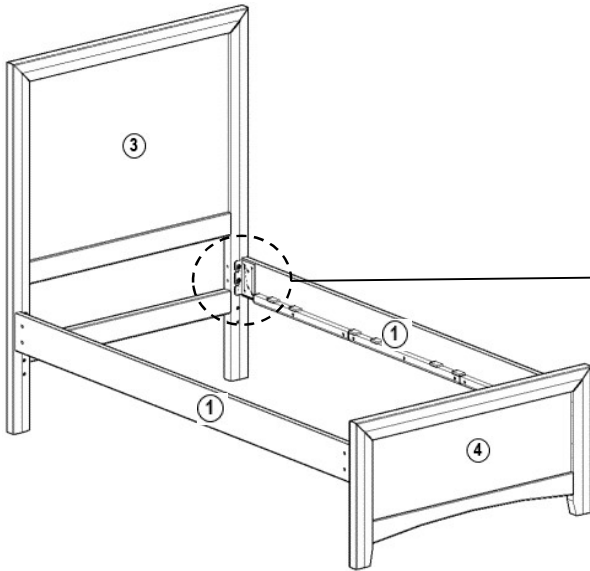
LOW SETTING STEPS 6-9

STEP 1



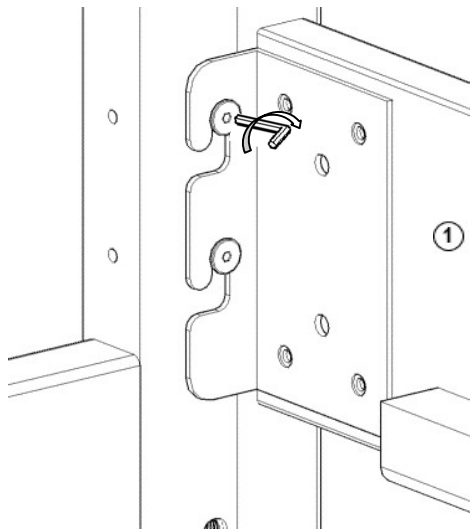
Loosen bolts in headboard & footboard posts (1/4" approx.)
Do not remove, BOLTS ARE PRE-ASSEMBLED.

STEP 2



Assemble side rails

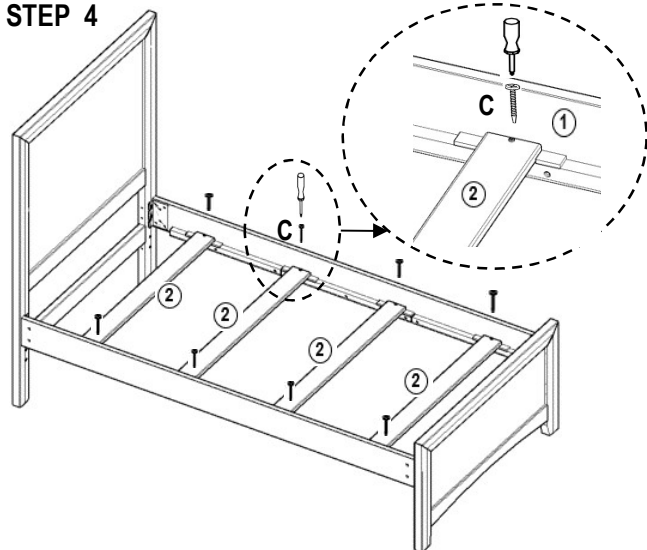
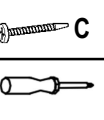
STEP 3



tighten all bolts

MAKE SURE ALL BOLTS ARE TIGHTENED COMPLETELY

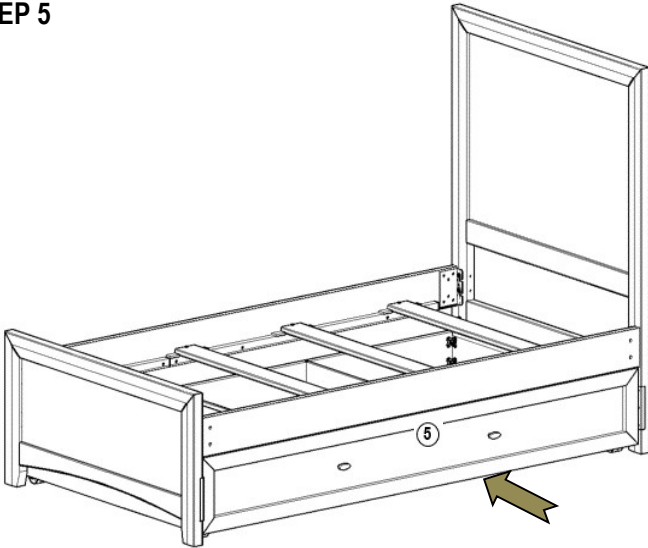
STEP 4



Install slats, one on each space between the small blocks,
then fasten with 1 1/4" screws.

ASSEMBLY INSTRUCTIONS

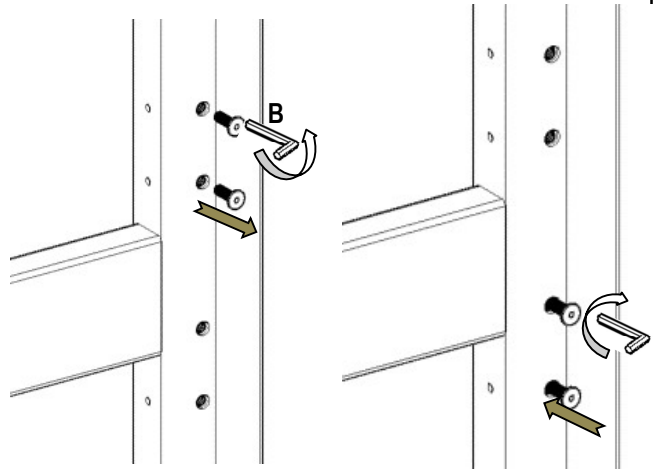
STEP 5



For **optional** Trundle bed follow assembly instructions inside Trundle bed box, then slide under the bed as shown.

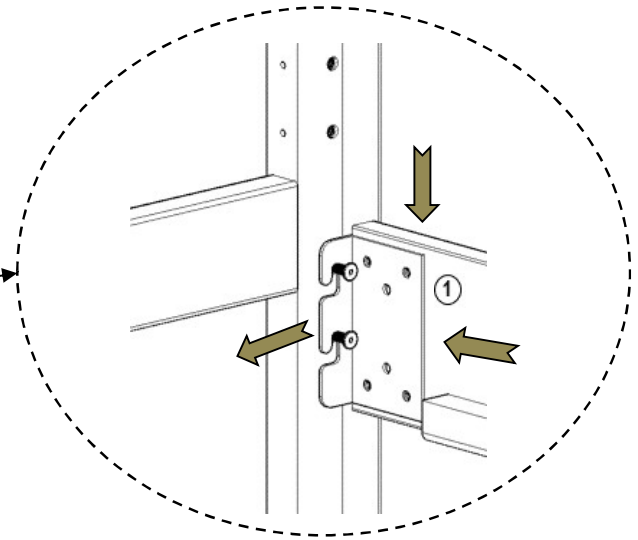
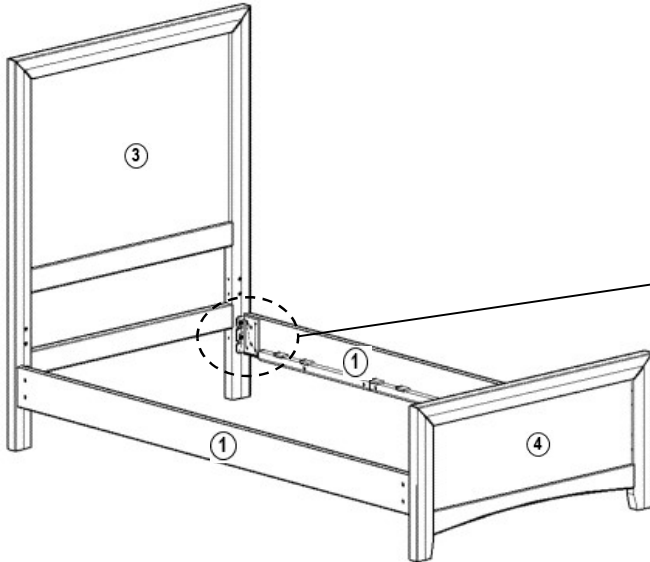
STEP 6

 B



Remove bolts from top setting then install in the lower setting, do not tighten, allow 1/4" space between post and bolt head, repeat for all posts

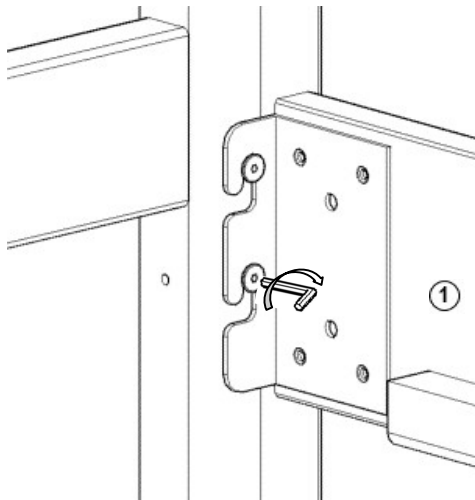
STEP 7



Assemble side rails

STEP 8


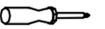
 B

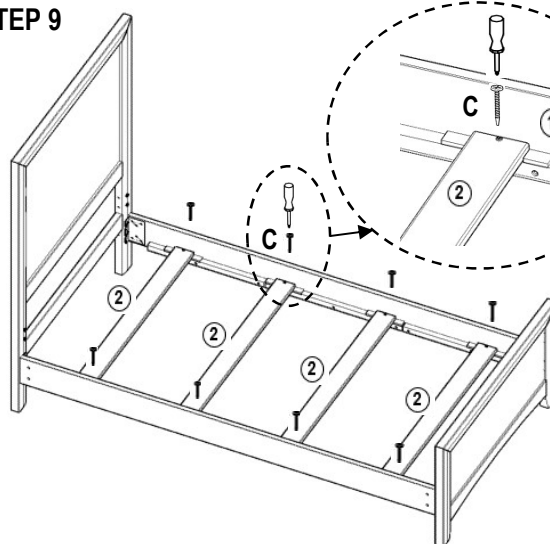


tighten all bolts

MAKE SURE ALL BOLTS ARE TIGHTENED COMPLETELY

STEP 9

 C




Install slats, one on each space between the small blocks, then fasten with 1 1/4" screws.