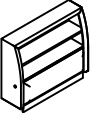
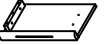



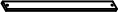
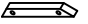
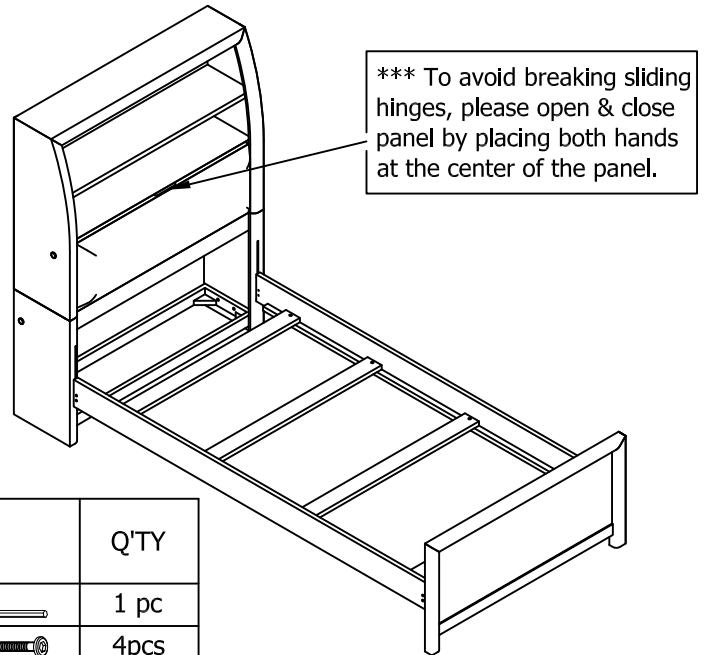


ROOMS TO GO KIDS








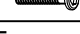



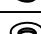
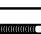



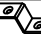
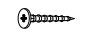

Assembly Instructions

GLOB 1497-17T-1, 06T/F-3, 15T-2 Twin Bookcase Bed SKU# 34614998, 35914971, 35214977
 GLOB 1597-17T-1, 06T/F-3, 15T-2 Twin Bookcase Bed SKU# 34614897, 35914983, 35214989

Parts list			Q'ty
a		Headboard	1pc
b		Post (L/R)	2pcs
c		Base frame	1pc
d		Side Rail	2pcs
e		Footboard	1pc
f		Slat	4pcs
g		Corner bracket	2pcs




Hardware list 1

BOOKCASE BED		WALL BED		Hardware	Q'TY	
Step	Code	Step	Code			
	A		A	Allen key 4mm 	1 pc	
1	B	FOLLOW BOOKCASE BED STEP 1~4		Bolt 1/4"x20x1-1/4" 	4pcs	
1	C		Spring Washer 1/4"xφ11x2mmT 	4pcs		
1	D		Flat Washer 1/4"xφ19x2mmT 	4pcs		
2	B		Bolt 1/4"x20x1-1/4" 	4pcs		
2	C		Spring Washer 1/4"xφ11x2mmT 	4pcs		
2	D		Flat Washer 1/4"xφ19x2mmT 	4pcs		
3	B		Bolt 1/4"x20x1-1/4" 	2pcs		
3	C		Spring Washer 1/4"xφ11x2mmT 	2pcs		
3	D		Flat Washer 1/4"xφ19x2mmT 	2pcs		
4	B		Bolt 1/4"x20x1-1/4" 	4pcs		
4	C		Spring Washer 1/4"xφ11x2mmT 	4pcs		
4	D		Flat Washer 1/4"xφ19x2mmT 	4pcs		
			7	E	Bolt 1/4"x20x1-1/8" 	1pc
			7	F	Spring Washer 1/4"xφ11x2mmT 	1pc
		7	G	Flat Washer 1/4"xφ19x2mmT 	1pc	
		7	H	T nut 1/4"x15mm 	1pc	
		10	K	Connecting plate 152x25x25x2.0mm 	1pc	
		10	L	Screw #8x3/4" 	4pcs	

***NOTE: Q'TY PER BOOKCASE HEADBOARD PACKAGE.

Hardware list 2

BOOKCASE BED		WALL BED		Hardware	Q'TY
Step	Code	Step	Code		
6	I	8	I	Screw #8x1" 	8pcs

Hardware list 3

BOOKCASE BED		WALL BED		Hardware	Q'TY
Step	Code	Step	Code		
6	J	9	J	Furniture tipping restraint 	1set

TOOLS REQUIRED (NOT PROVIDED)

PHILLIPS SCREWDRIVER	
----------------------	---

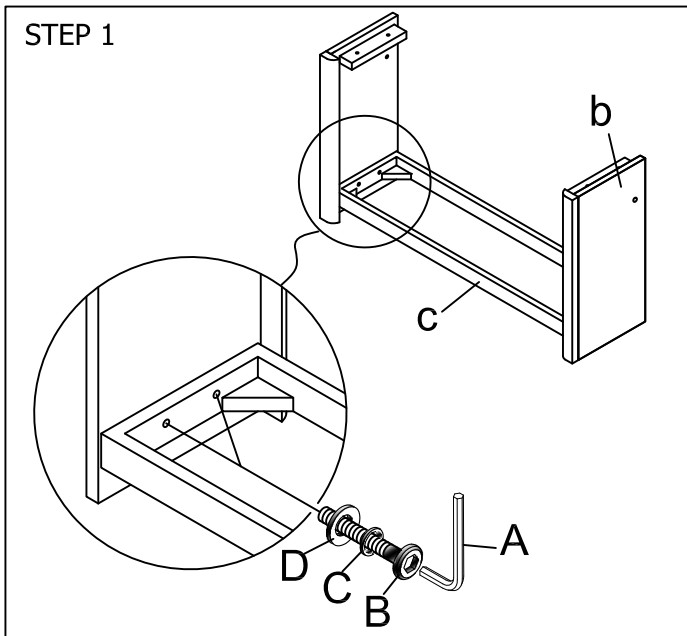
Hardware Pack Location(s):

Hardware list 1&3 pack in GLOB 1497/1597-17T-1 Twin Bookcase Headboard SKU# 34614998/34614897
 Hardware list 2 pack in GLOB 1497/1597-15T-2 Twin Low Footboard SKU# 35214977/35214989

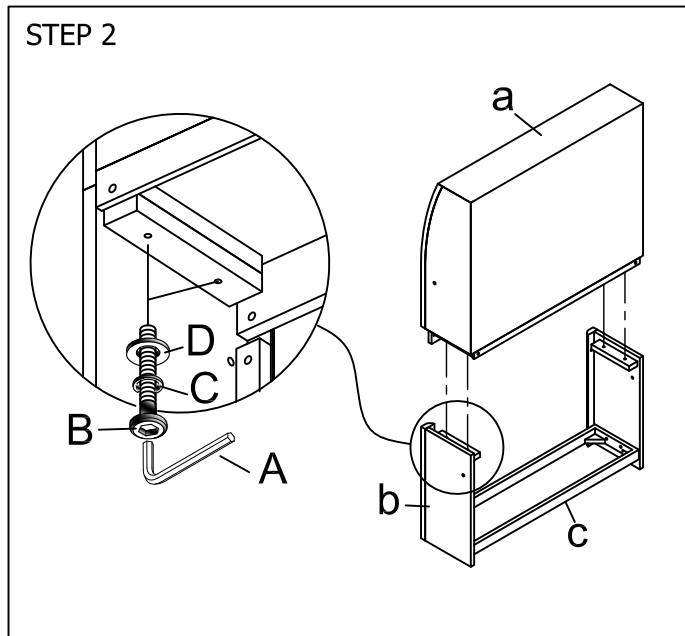
Assembly Instructions

GLOB 1497-17T-1, 06T/F-3, 15T-2 Twin Bookcase Bed SKU# 34614998, 35914971, 35214977
GLOB 1597-17T-1, 06T/F-3, 15T-2 Twin Bookcase Bed SKU# 34614897, 35914983, 35214989

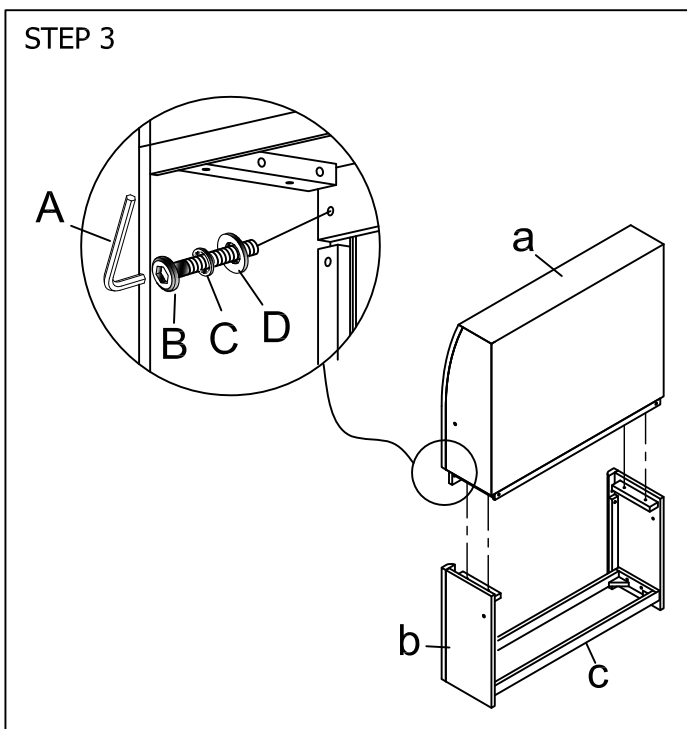
***Caution: Please read all instructions carefully before starting the assembly process. These parts are cumbersome and heavy. Therefore, two people are recommended in order to prevent personal injury and ensure the parts are not damaged during the assembly.



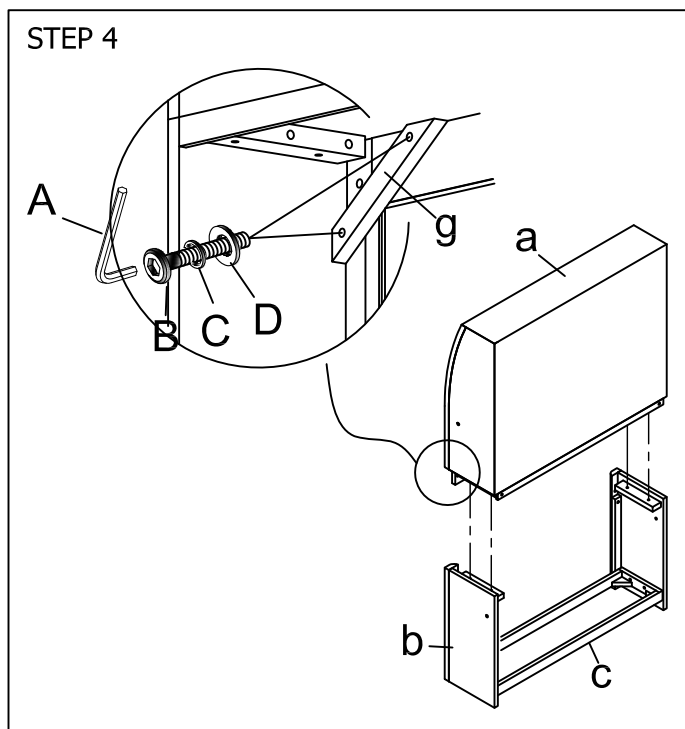
Assemble Base frame to Post (L/R).



Assemble Headboard to Post (L/R).



Assemble Headboard to Post (L/R).

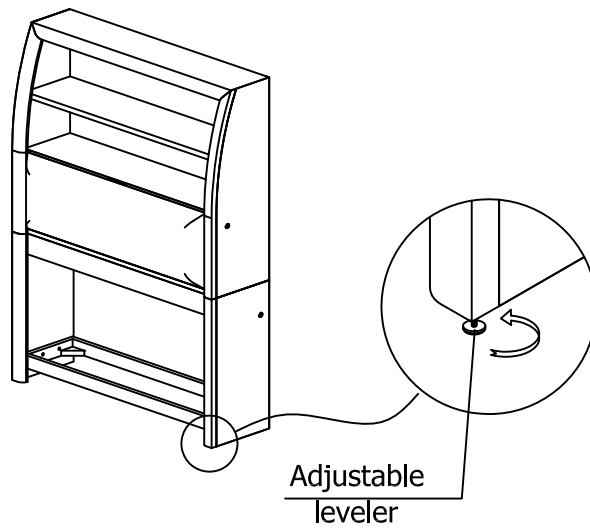


Assemble Corner bracket to Headboard and Post (L/R).

GLOB 1497-17T-1, 06T/F-3, 15T-2 Twin Bookcase Bed SKU# 34614998, 35914971, 35214977
GLOB 1597-17T-1, 06T/F-3, 15T-2 Twin Bookcase Bed SKU# 34614897, 35914983, 35214989

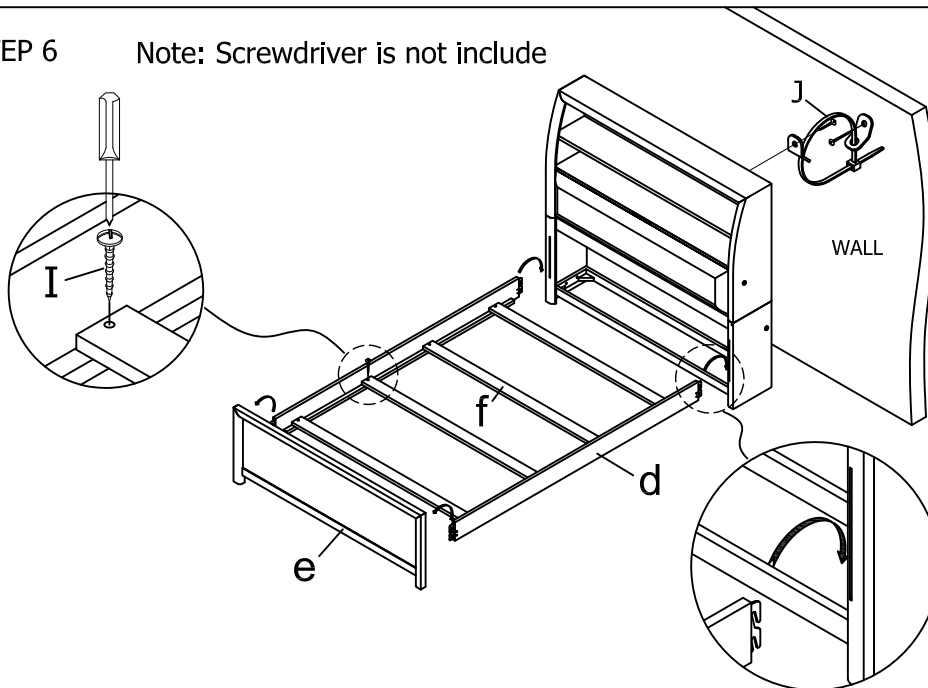
***Caution: Please read all instructions carefully before starting the assembly process. These parts are cumbersome and heavy. Therefore, two people are recommended in order to prevent personal injury and ensure the parts are not damaged during the assembly.

STEP 5



STEP 6

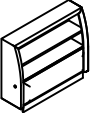
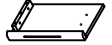



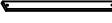
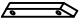
Note: Screwdriver is not include

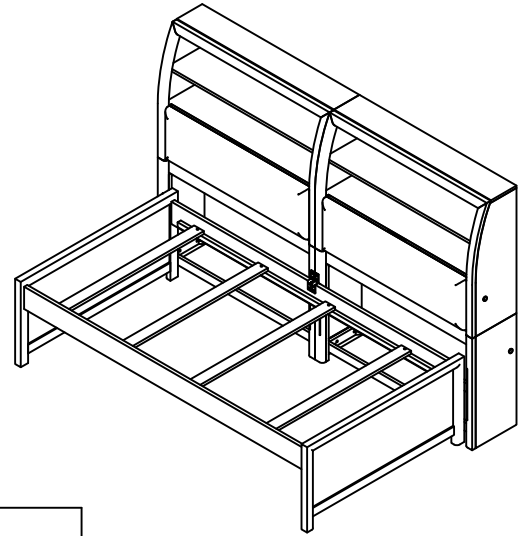


Attach Side rails to the Headboard and Footboard.
Then screw all slats to Side rails.








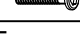



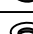






Assembly Instructions

GLOB 1497-17T-1, 06T/F-3, 15T-2 Twin Bookcase Bed SKU# 34614998, 35914971, 35214977
GLOB 1597-17T-1, 06T/F-3, 15T-2 Twin Bookcase Bed SKU# 34614897, 35914983, 35214989


Parts list			Q'ty
a		Headboard	1pc
b		Post (L/R)	2pcs
c		Base frame	1pc
d		Side Rail	2pcs
e		Footboard	1pc
f		Slat	4pcs
g		Corner bracket	2pcs



Hardware list 1

BOOKCASE BED		WALL BED		Hardware	Q'TY	
Step	Code	Step	Code			
	A		A	Allen key 4mm 	1 pc	
1	B	FOLLOW BOOKCASE BED STEP 1~4		Bolt 1/4"x20x1-1/4" 	4pcs	
1	C		Spring Washer 1/4"xφ11x2mmT 	4pcs		
1	D		Flat Washer 1/4"xφ19x2mmT 	4pcs		
2	B		Bolt 1/4"x20x1-1/4" 	4pcs		
2	C		Spring Washer 1/4"xφ11x2mmT 	4pcs		
2	D		Flat Washer 1/4"xφ19x2mmT 	4pcs		
3	B		Bolt 1/4"x20x1-1/4" 	2pcs		
3	C		Spring Washer 1/4"xφ11x2mmT 	2pcs		
3	D		Flat Washer 1/4"xφ19x2mmT 	2pcs		
4	B		Bolt 1/4"x20x1-1/4" 	4pcs		
4	C		Spring Washer 1/4"xφ11x2mmT 	4pcs		
4	D		Flat Washer 1/4"xφ19x2mmT 	4pcs		
			7	E	Bolt 1/4"x20x1-1/8" 	1pc
			7	F	Spring Washer 1/4"xφ11x2mmT 	1pc
		7	G	Flat Washer 1/4"xφ19x2mmT 	1pc	
		7	H	T nut 1/4"x15mm 	1pc	
		10	K	Connecting plate 152x25x25x2.0mm	1pc	
		10	L	Screw #8x3/4" 	4pcs	

Hardware list 2

BOOKCASE BED		WALL BED		Hardware	Q'TY
Step	Code	Step	Code		
6	I	8	I	Screw #8x1" 	8pcs

Hardware list 3

BOOKCASE BED		WALL BED		Hardware	Q'TY
Step	Code	Step	Code		
6	J	9	J	Furniture tipping restraint 	1set

TOOLS REQUIRED (NOT PROVIDED)

PHILLIPS SCREWDRIVER 
--

Hardware Pack Location(s):

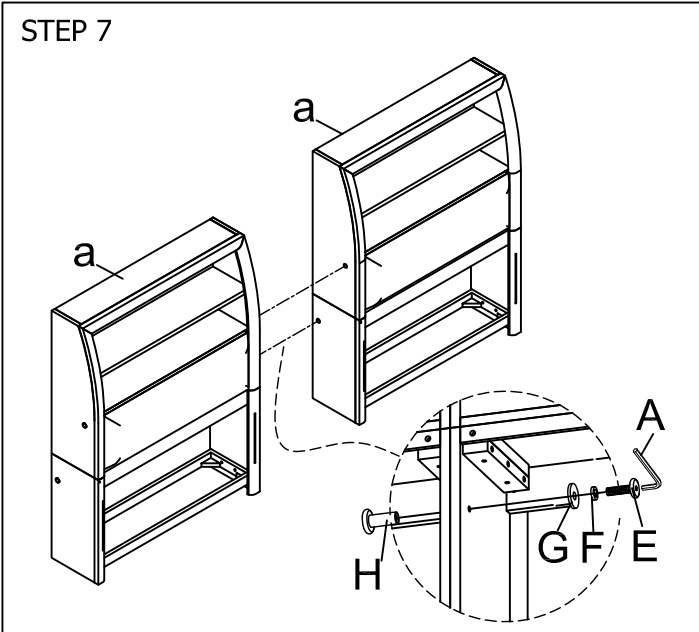
Hardware list 1&3 pack in GLOB 1497/1597-17T-1 Twin Bookcase Headboard SKU# 34614998/34614897
Hardware list 2 pack in GLOB 1497/1597-15T-2 Twin Low Footboard SKU# 35214977/35214989

Assembly Instructions

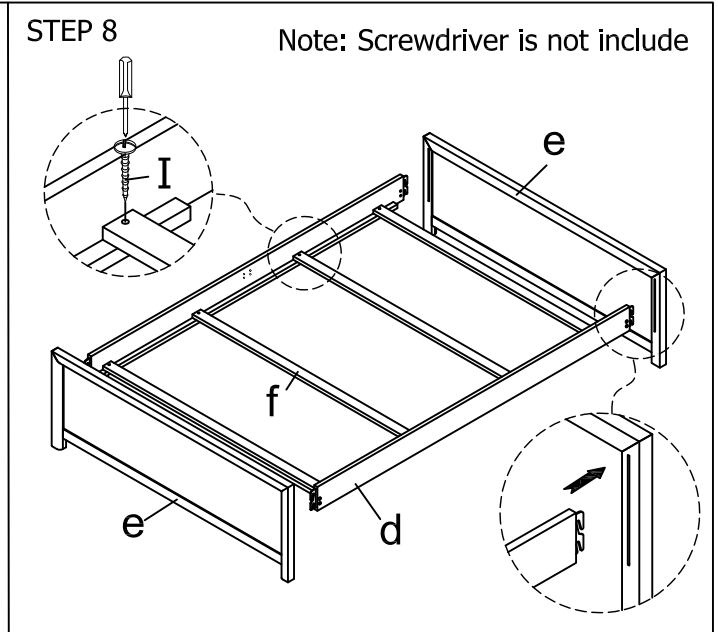
GLOB 1497-17T-1, 06T/F-3, 15T-2 Twin Bookcase Bed SKU# 34614998, 35914971, 35214977
GLOB 1597-17T-1, 06T/F-3, 15T-2 Twin Bookcase Bed SKU# 34614897, 35914983, 35214989

*****Caution:** Please read all instructions carefully before starting the assembly process. These parts are cumbersome and heavy. Therefore, two people are recommended in order to prevent personal injury and ensure the parts are not damaged during the assembly.

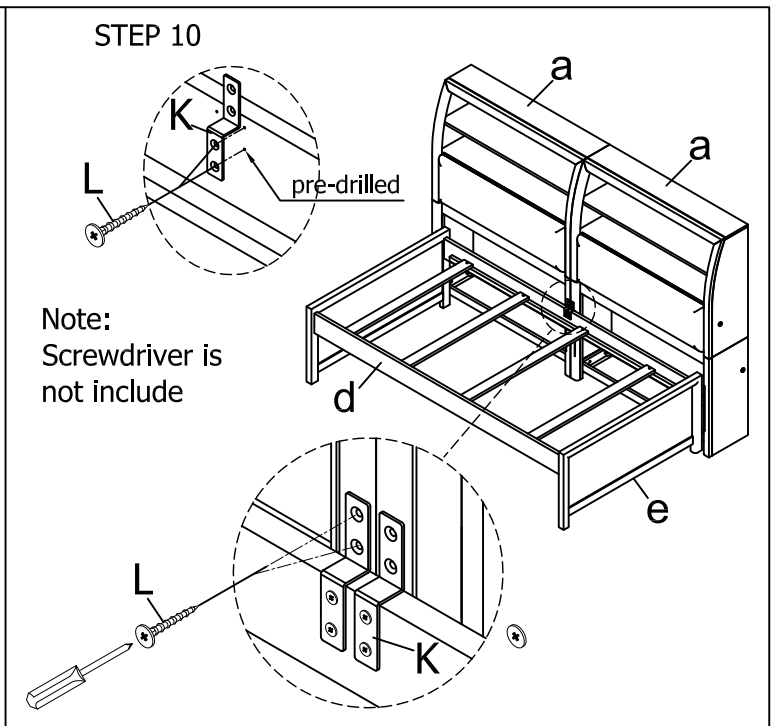
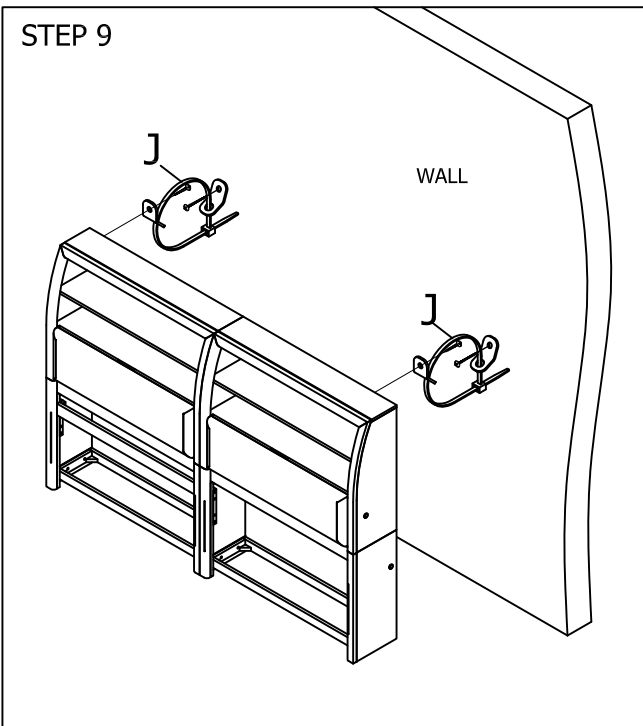
STEP 1~5 PLEASE REFER TO TWIN BOOKCASE BED ASSEMBLY INSTRUCTION PAGE 1 ~ 3



Assemble two Twin Bookcase Headboard together.



Attach Side rails to two Twin or Full Footboard. Then screw all slats to Side rails.



Attach bookcase headboard to Side Rail (d) using connecting plate (K) with screw (L) follow pre-drilled on the Side rail (d).