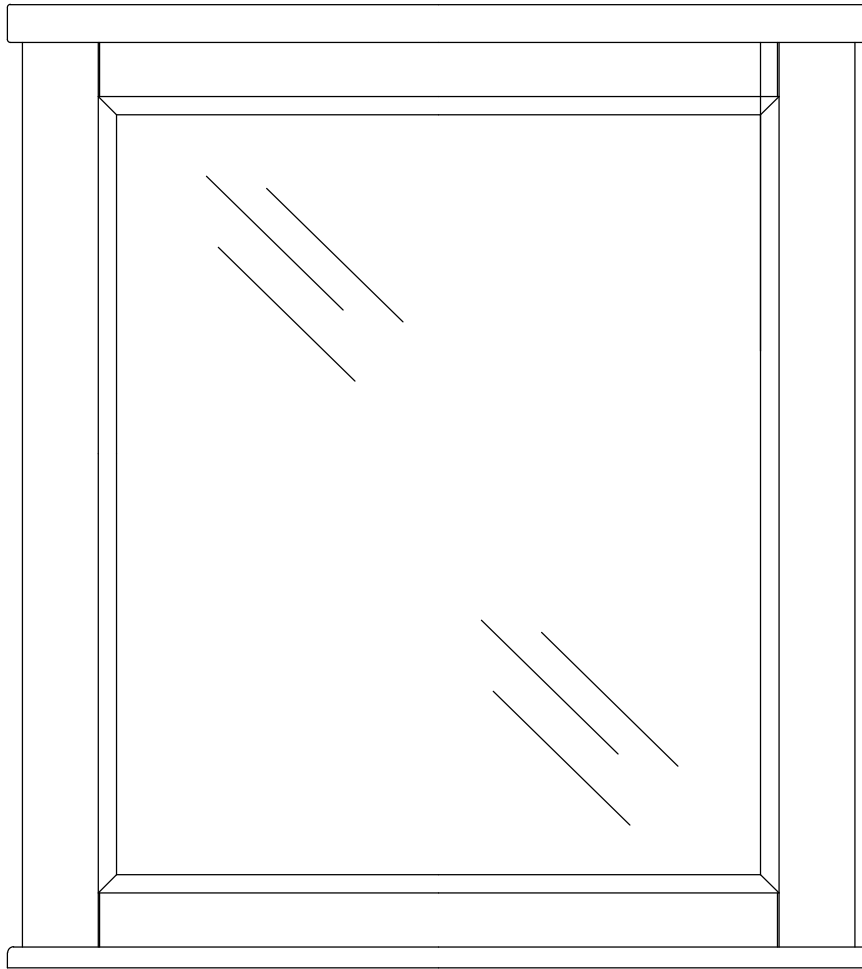


COTTAGE COLORS 2.0

MIRROR



SKU#	STYLE	COLOR	ITEM DESCRIPTION
34022309	225-MRW	WHITE	MIRROR
34022323	225-MRG	GRAY	MIRROR
34022335	225-MRNB	NAVY BLUE	MIRROR
34022311	225-MRB	BLACK	MIRROR

MIRROR PART LIST			
	ITEM DESCRIPTION	IMAGE	QTY
A	MIRROR		1 PC
B	MIRROR BRACKETS		2 PCS


DO NOT USE SUBSTITUTE PARTS. PLEASE CONTACT YOUR RETAIL STORE OR WWW.ROOMSTOGO.COM WITH SERVICE OR PARTS REPLACEMENT REQUEST.

This product is manufactured by (JSFC) for **ROOMS TO GO® | KIDS**


COTTAGE COLORS 2.0

MIRROR

MIRROR HARDWARE LIST

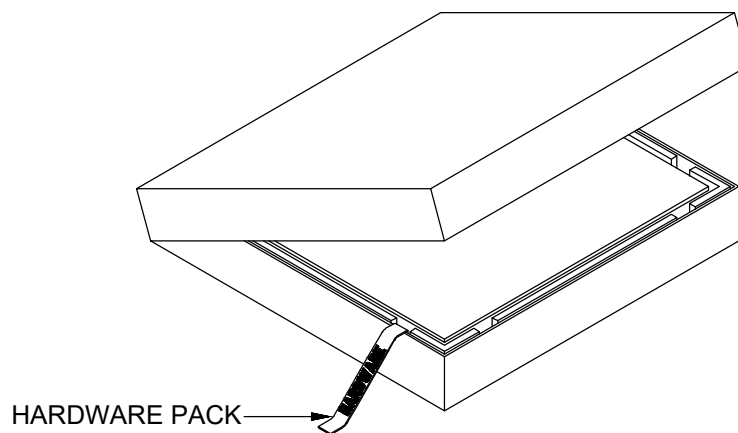
	ITEM DESCRIPTION	IMAGE	QTY
1	ALLEN KEY 4mm		1 PC

MIRROR BRACKETS PRE-ASSEMBLED HARDWARE LIST

	DESCRIPTION	IMAGE	QTY
2	BOLT Ø1/4*13*1-3/8"L		8 PCS
	SPRING WASHER Ø1/4*12*1.2MM		8 PCS
	FLAT WASHER Ø1/4*19*1.5MM		8 PCS
	THREADED WASHER Ø1/4-19X10MM		8 PCS

HARDWARE PACK LOCATION

SKU#	STYLE	COLOR	ITEM DESCRIPTION
34022309	225-MRW	WHITE	MIRROR
34022323	225-MRG	GRAY	MIRROR
34022335	225-MRNB	NAVY BLUE	MIRROR
34022311	225-MRB	BLACK	MIRROR



DO NOT USE SUBSTITUTE PARTS. PLEASE CONTACT YOUR RETAIL STORE OR WWW.ROOMSTOGO.COM WITH SERVICE OR PARTS REPLACEMENT REQUEST.

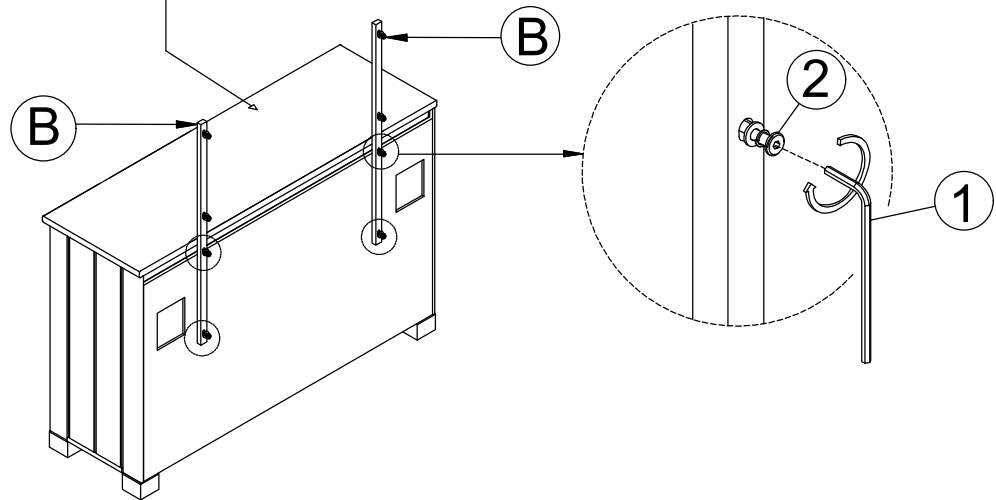
This product is manufactured by (JSFC) for **ROOMS TO GO® | KIDS**

Thank you for purchasing this quality product. Be sure to check all packing material carefully for small parts which may have come loose inside the carton during shipment. Identify and count all parts and compare with the parts list below. Read all instructions before assembling bed and keep these instruction for future reference.

Assembly Instructions:

STEP 1

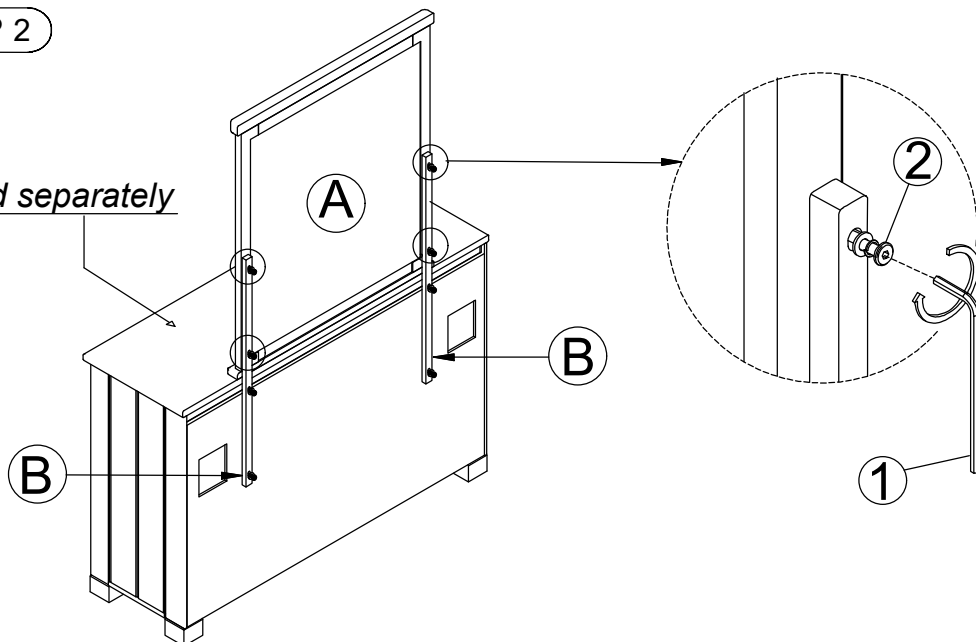
Sold separately



Attach Mirror Brackets (B) to the back of Dresser (Sold separately): Align the pre-assembled bolts on the Mirror Brackets (B) with the pre-drilled holes on the Dresser, tighten the pre-assembled bolts using Allen Key (1) provided.

STEP 2

Sold separately



Attach Mirror (A) to Mirror Brackets (B) : Align the pre- assembled bolts on the Mirror Brackets (B) with the pre- drilled holes on the Mirror (A) , tighten the pre-assembled bolts using Allen Key (1) provided.

DO NOT USE SUBSTITUTE PARTS. PLEASE CONTACT YOUR RETAIL STORE OR WWW.ROOMSTOGO.COM WITH SERVICE OR PARTS REPLACEMENT REQUEST.

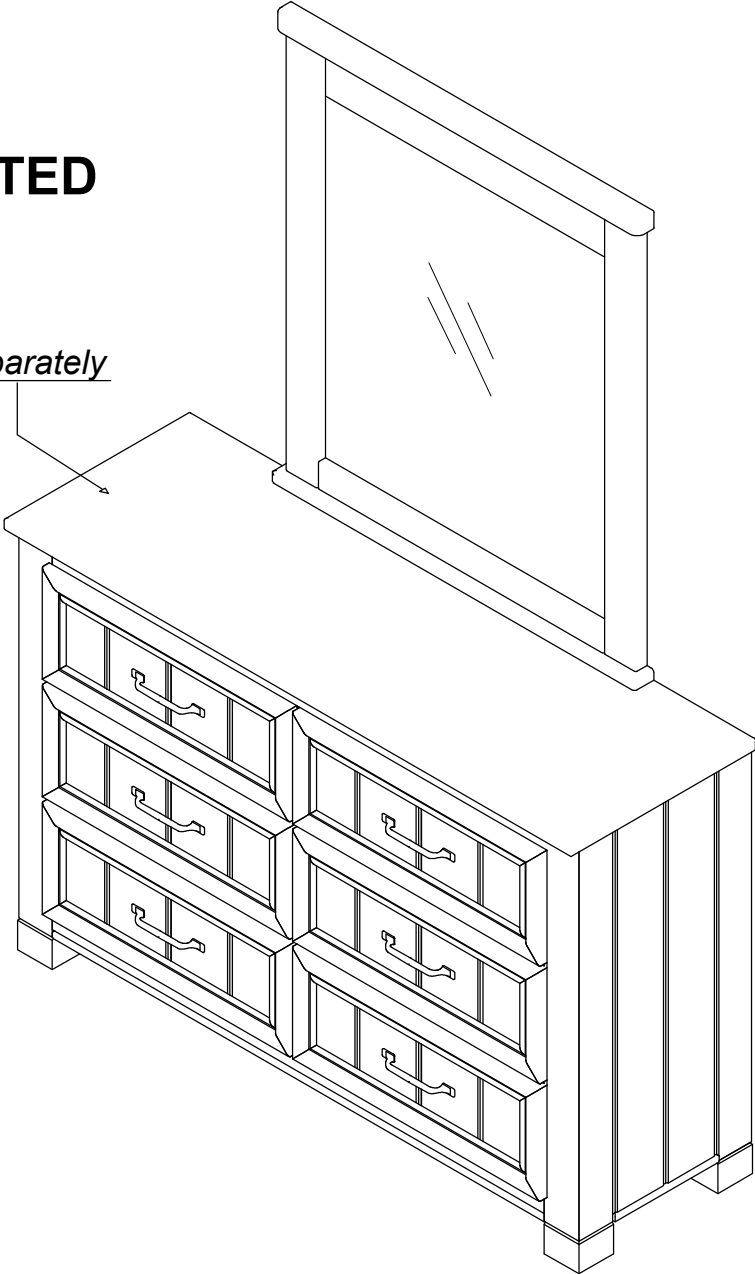
This product is manufactured by (JSFC) for **ROOMS TO GO® | KIDS**

Thank you for purchasing this quality product. Be sure to check all packing material carefully for small parts which may have come loose inside the carton during shipment. Identify and count all parts and compare with the parts list below. Read all instructions before assembling bed and keep these instruction for future reference.

Assembly Instructions:

COMPLETED

Sold separately



DO NOT USE SUBSTITUTE PARTS. PLEASE CONTACT YOUR RETAIL STORE OR WWW.ROOMSTOGO.COM WITH SERVICE OR PARTS REPLACEMENT REQUEST.

This product is manufactured by (JSFC) for **ROOMS TO GO® | KIDS**