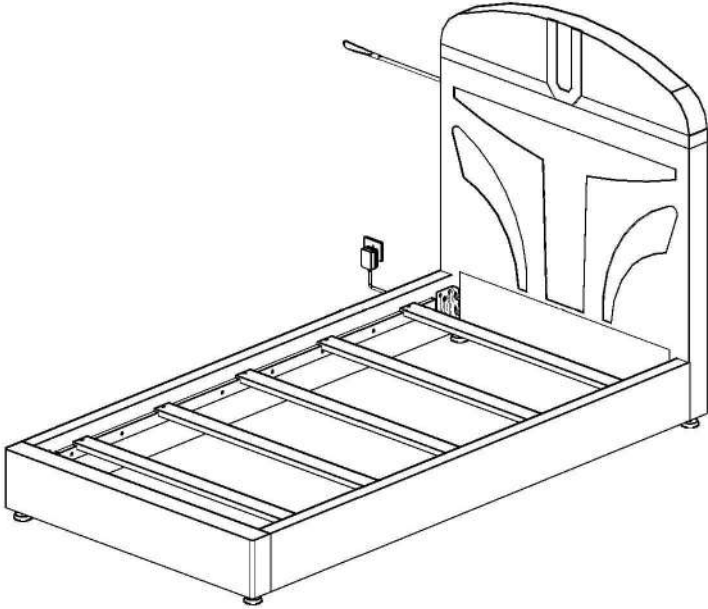
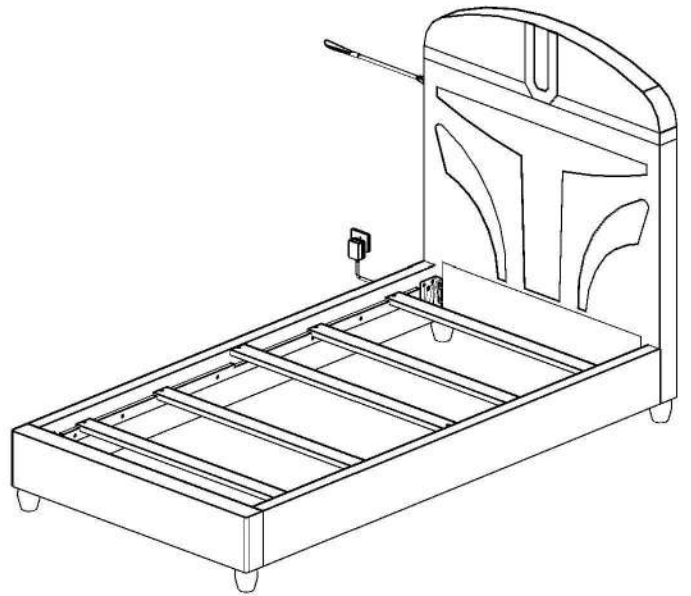


STAR WARS

TWIN / FULL MANDALORIAN BED



TWIN MANDALORIAN BED
WITH LOW FOOT



TWIN MANDALORIAN BED
WITH TALL FEET

BED SIZE	3402301P / 3412301P		ITEM DESCRIPTION
	TWIN / FULL MANDALORIAN BED		
	Dark Gray		
	RTG SKU#	STYLE#	
TWIN BED	34623012	2300T-S1	TWIN UPHOLSTERED HEADBOARD WITH USB & 2 LEGS & LED LIGHT
	34723014	2300T-S2	TWIN UPHOLSTERED FOOTBOARD, SIDE RAIL & 2 SET OF LEGS
FULL BED	34823016	2300F-S1	FULL UPHOLSTERED HEADBOARD WITH USB & 2 LEGS & LED LIGHT
	34923018	2300F-S2	FULL UPHOLSTERED FOOTBOARD, SIDE RAIL & 2 SET OF LEGS

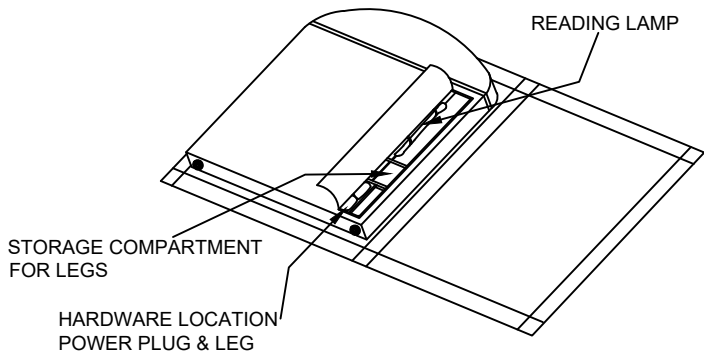
DO NOT USE SUBSTITUTE PARTS. PLEASE CONTACT YOUR RETAIL STORE OR WWW.ROOMSTOGO.COM WITH SERVICE OR PARTS REPLACEMENT REQUEST.

This product is manufactured by (IFSB) for **ROOMS TO GO** | **KIDS**

Thank you for purchasing this quality product. Be sure to check all packing material carefully for small parts which may have come loose inside the carton during shipment. Identify and count all parts and compare with the parts list below. Read all instructions before assembling bed and keep these instructions for future reference.

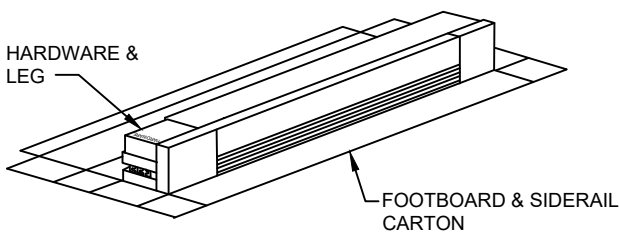
HEADBOARD PARTS LIST			
PART NO.	ITEM DESCRIPTION	IMAGE	QTY
A	Headboard with USB		1 PC
B	Legs		2 PCS
C	Plastic Legs (Pre Assemble)		2 PCS
G	Reading Lamp		1 PC
H	Power Plug		1 PC

FOOTBOARD & SIDERAIL PARTS LIST			
PART NO.	ITEM DESCRIPTION	IMAGE	QTY
B	Legs		2 PCS
C	Plastic Legs (Pre Assemble)		2 PCS
D	Footboard		1 PC
E	Siderails		2 PCS
F	Slats		5 PCS



HEADBOARD HARDWARE LIST			
	ITEM DESCRIPTION	IMAGE	QTY
1	M4 Allen key M4 x 100mm		1pc
2	JCBB Bolt M8 x P1.25 x 25 Spring Washer M8 x 13 Flat Washer M8 x 22 (Pre Assemble)		4pcs

HARDWARE PACK LOCATION		
ITEM DESCRIPTION	RTG SKU#	STYLE#
TWIN HEADBOARD & 2 LEGS	34623012	2300T-S1
FULL HEADBOARD & 2 LEGS	34823016	2300F-S1



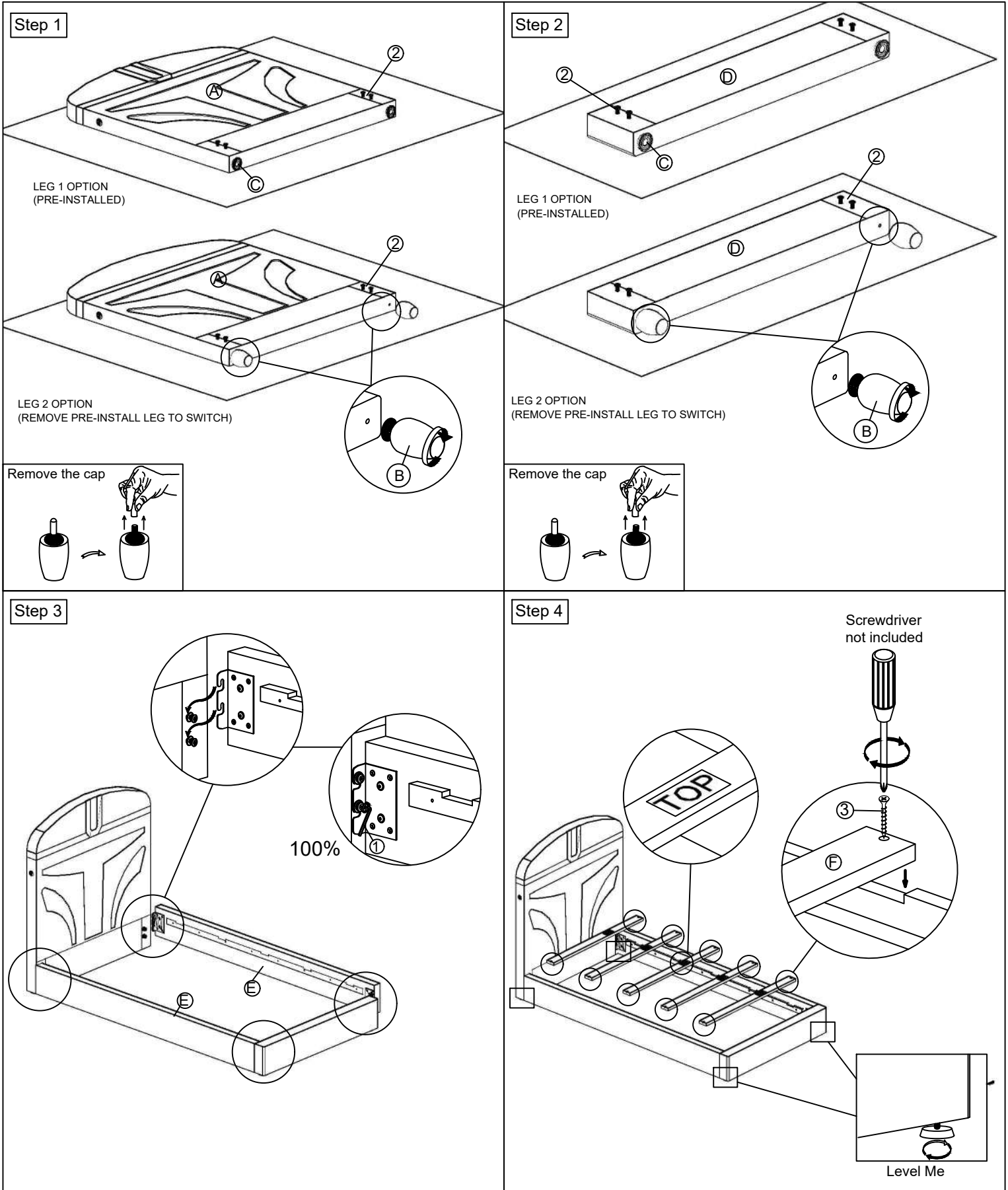
FOOTBOARD & SIDERAIL HARDWARE LIST			
	ITEM DESCRIPTION	IMAGE	QTY
1	M4 Allen key M4 x 100mm		1pc
2	JCBB Bolt M8 x P1.25 x 25 Spring Washer M8 x 13 Flat Washer M8 x 22 (Pre Assemble)		4 pcs
3	M4 x 32mm CSK screw M4 x 32 x 1.0mm		10 pcs
Screw driver not provided			

HARDWARE PACK LOCATION		
ITEM DESCRIPTION	RTG SKU#	STYLE#
TWIN FOOTBOARD & 2 LEGS	34723014	2300T-S2
FULL FOOTBOARD & 2 LEGS	34923018	2300F-S2

DO NOT USE SUBSTITUTE PARTS. PLEASE CONTACT YOUR RETAIL STORE OR WWW.ROOMSTOGO.COM WITH SERVICE OR PARTS REPLACEMENT REQUEST.

This product is manufactured by (IFSB) for **ROOMS TO GO** | **KIDS**

Assembly Instructions:

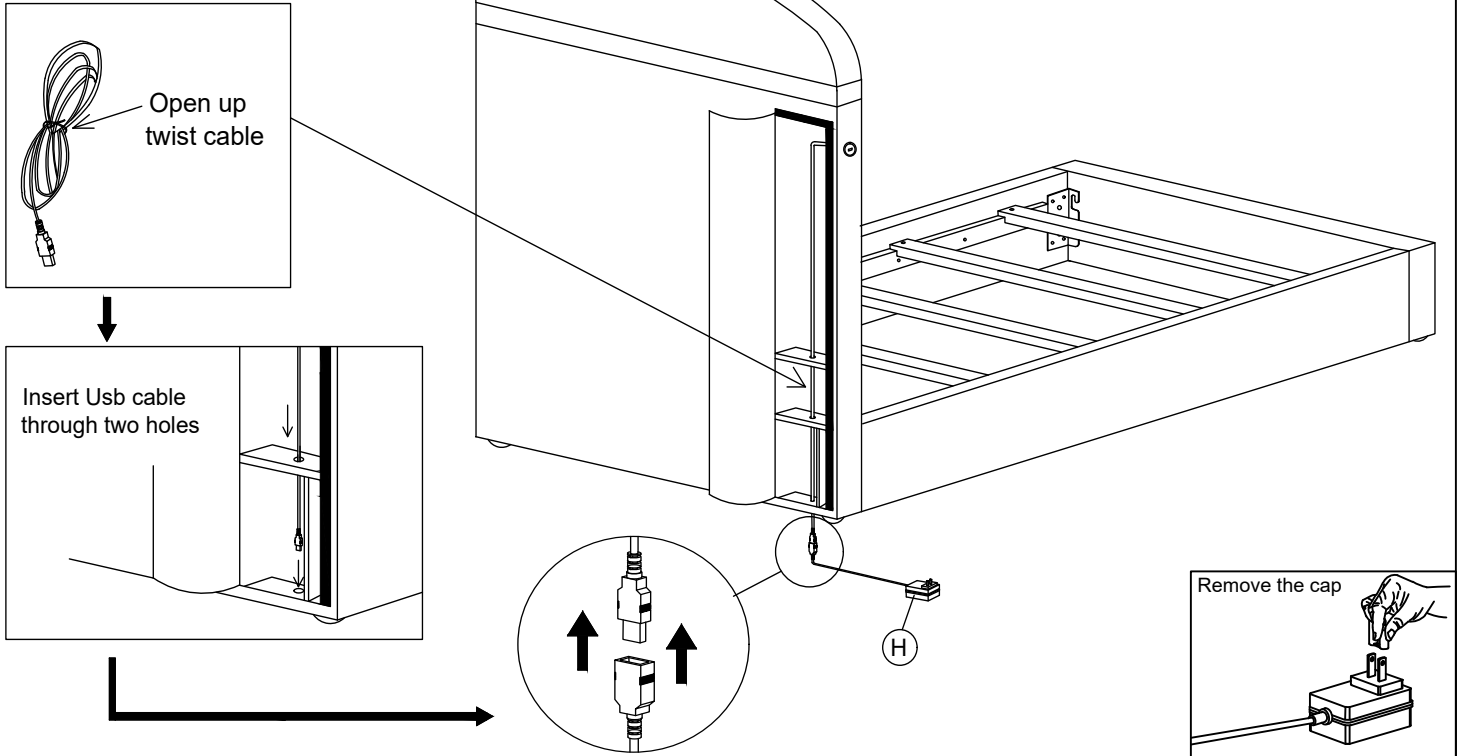


DO NOT USE SUBSTITUTE PARTS. PLEASE CONTACT YOUR RETAIL STORE OR WWW.ROOMSTOGO.COM WITH SERVICE OR PARTS REPLACEMENT REQUEST.

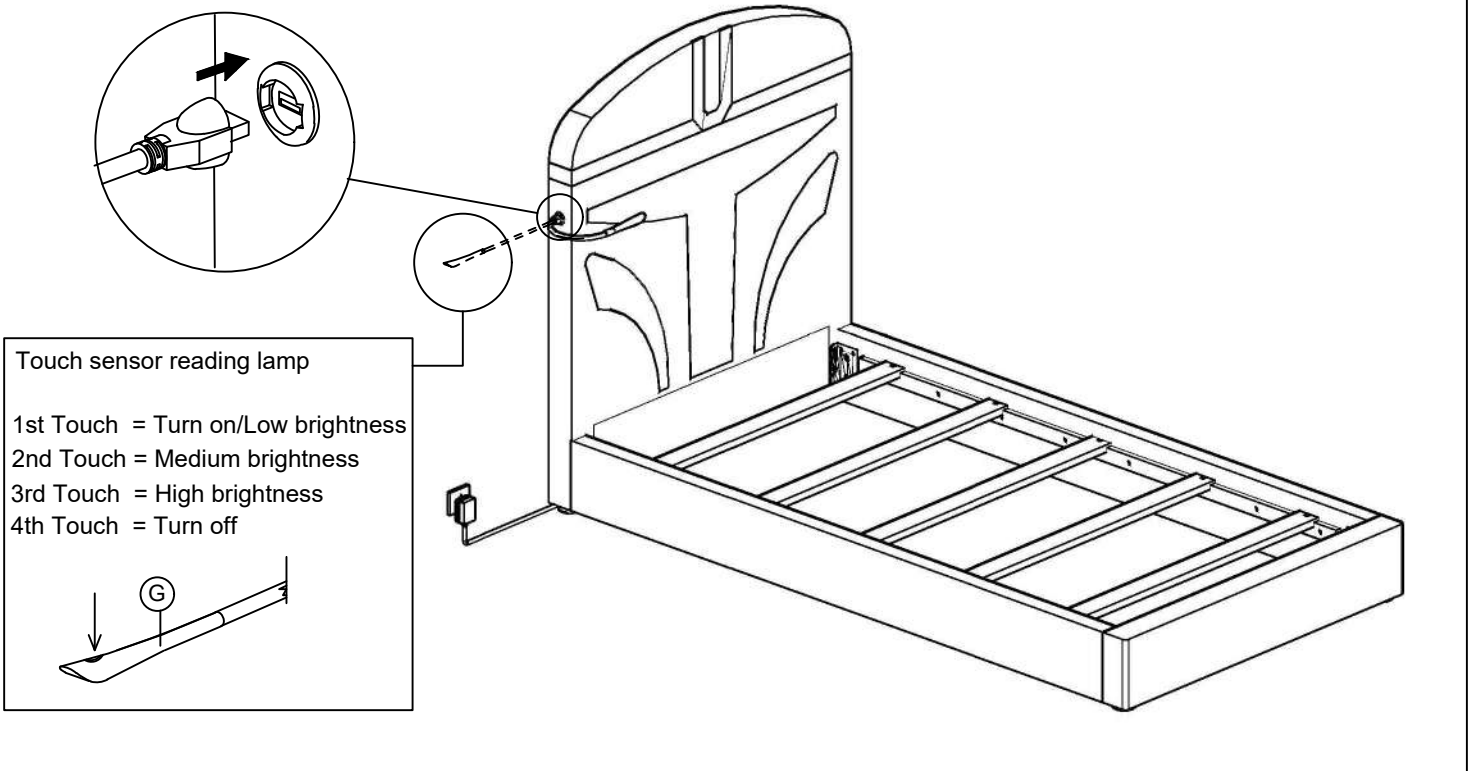
This product is manufactured by (IFSB) for **ROOMS TO GO** | **KIDS**

Assembly Instructions:

Step 5



Step 6



DO NOT USE SUBSTITUTE PARTS. PLEASE CONTACT YOUR RETAIL STORE OR WWW.ROOMSTOGO.COM WITH SERVICE OR PARTS REPLACEMENT REQUEST.

This product is manufactured by (IFSB) for **ROOMS TO GO** | **KIDS**



WARNING

Misuse can result in FIRE or DEATH by ELECTRICAL SHOCK

5VDC/2A
eMoMo Technology Co., Ltd.
R122-050200UD

Read all instructions before using this furnishing.

DANGER – To reduce the risk of electric shock

1. Always unplug this furnishing from the electrical outlet before cleaning or servicing.

WARNING – To reduce the risk of burns, fire, electric shock, or injury to persons:

1. Unplug from outlet before putting on or taking off parts.
2. Never operate this furnishing if it has a damaged electrical cord or plug, if it is not working properly, or if the electrical cord or plug has been damaged or dropped into water. Stop using this furnishing and call a service center for examination and repair.
3. Keep the electrical cord and plug away from heated surfaces and other heat sources.
4. To disconnect, turn all controls to the off position, then remove plug from outlet.
5. When operating, ensure that electrical cord is not under the base, legs, or motion mechanism to avoid damage to electrical cord or plug.
6. Do not strain or stretch electrical cord.
7. Do not use extension cords or power strips.
8. Keep out of reach of children. This is not a toy.
9. Plug directly into a compatible electrical socket.
10. Do not modify the plug or use any adapters.



WARNING

El mal uso puede provocar INCENDIO o MUERTE por DESCARGA ELÉCTRICA

5VAC/2A
eMoMo Technology Co., Ltd.
R122-050200UD

Leer todas las instrucciones antes de usar este mobiliario.

PELIGRO – Para reducir el riesgo de descarga eléctrica:

1. Siempre desenchufe este accesorio de la toma de corriente eléctrica antes de limpiarlo o repararlo.

ADVERTENCIA: para reducir el riesgo de quemaduras, incendios, descargas eléctricas o lesiones a personas:

1. Desenchufe del tomacorriente antes de colocar o quitar partes.
2. Nunca opere este accesorio si tiene un cable o enchufe eléctrico dañado, si no funciona correctamente, o si el cable o el enchufe eléctrico se ha dañado o se ha caído al agua. Deje de usar este equipamiento y llame a un centro de servicio para que lo examinen y lo reparen.
3. Mantenga el cable eléctrico y el enchufe lejos de superficies calientes y otras fuentes de calor.
4. Para desconectar, gire todos los controles a la posición de apagado, luego retire el enchufe del tomacorriente.
5. Al operar, asegúrese de que el cable eléctrico no esté debajo de la base, las patas o el mecanismo de movimiento para evitar dañar el cable eléctrico o el enchufe.
6. No fuerce ni estire el cable eléctrico.
7. No utilizar cables de extensión o tomas de corriente.
8. Mantener fuera del alcance de los niños. Esto no es un juguete.
9. Enchúfelo directamente a una toma de corriente compatible.
10. No modifique el enchufe ni utilice adaptadores.