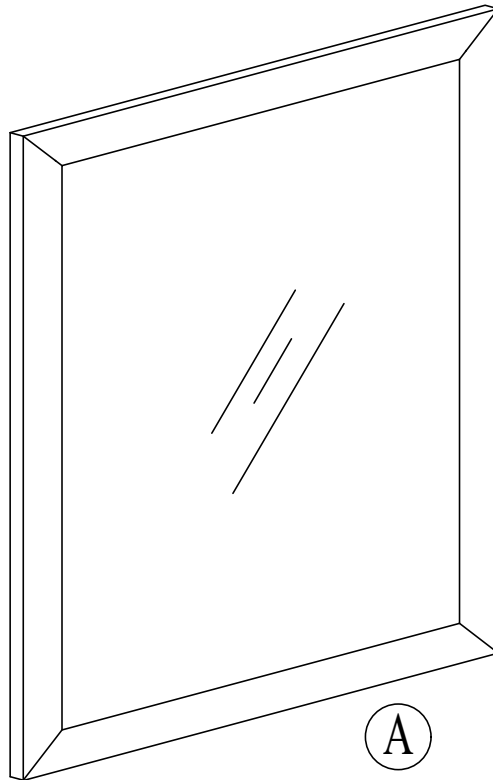
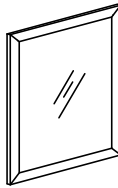
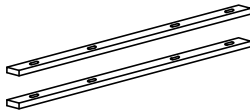


# COLEFAX AVENUE MIRROR

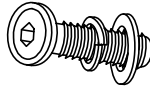
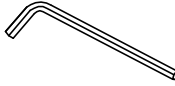


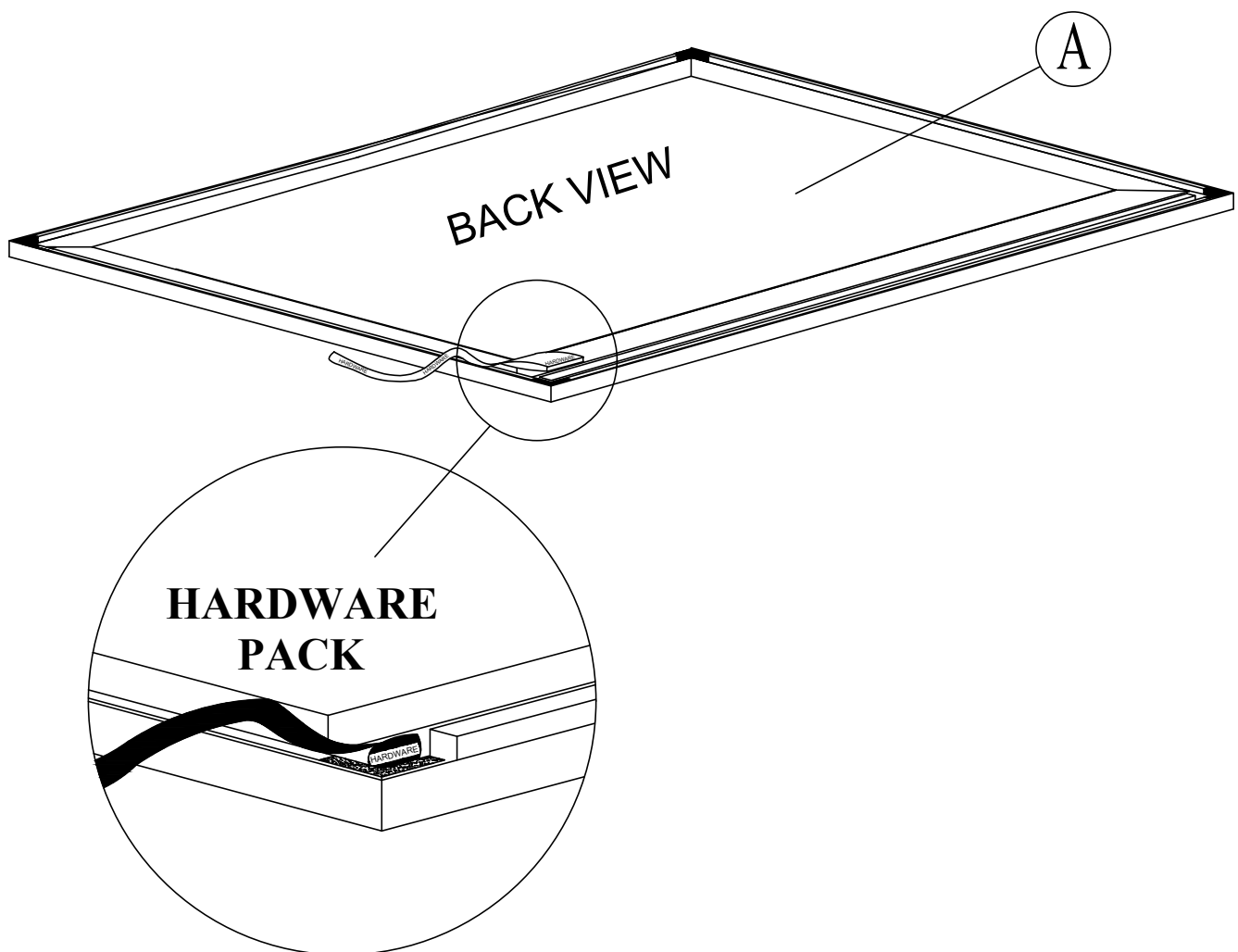
SKU #	ITEM #	ITEM DESCRIPTION
34027044	27014-510	MIRROR

MIRROR PARTS LIST :			
No.	PART LISTS		QTY
A	Mirror		1 Pc
B	Mirror Support Rail		2 Pcs

**This product is manufactured by STOF for ROOMSTOGO | KIDS**  
 DO NOT USE SUBSTITUTE PARTS. PLEASE CONTACT YOUR DETAIL STORE OR [WWW.ROOMSTOGO.COM](http://WWW.ROOMSTOGO.COM)  
 WITH SERVICE OR PARTS REPLACEMENT REQUEST

# COLEFAX AVENUE MIRROR

MIRROR HARDWARE LIST :				QTY
1	JCBC (M6) with Spring Washer and Washer	M6 x P1.0 x 35mm		8 Pcs
2	Allen Key(M4)	4 x 65mm		1 Pc



Hardware Pack Location (s) :

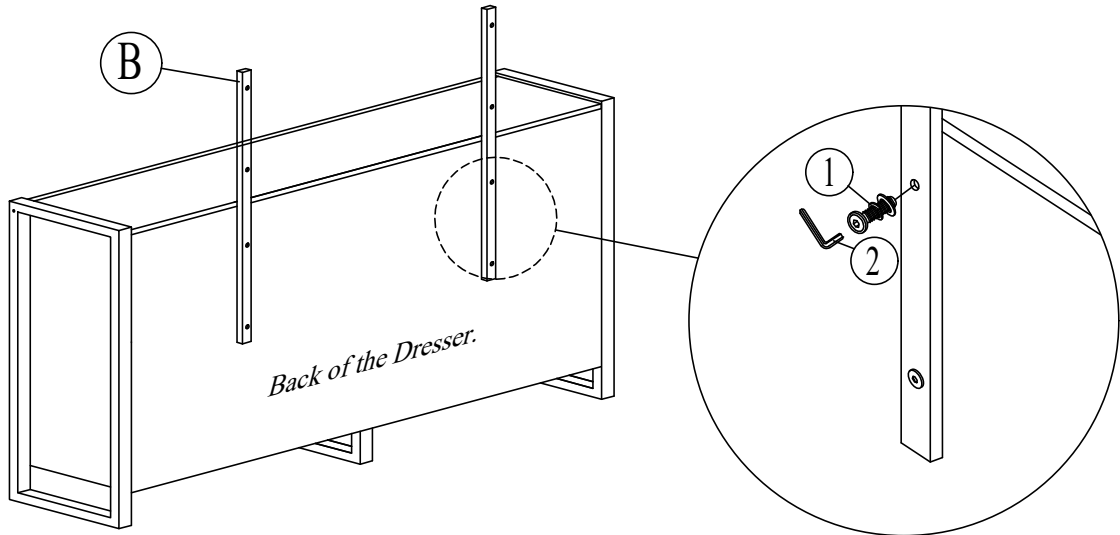
MIRROR 27014-510 SKU# 34027044

This product is manufactured by STOF for **ROOMSTOGO | KIDS**  
DO NOT USE SUBSTITUTE PARTS. PLEASE CONTACT YOUR DETAIL STORE OR [WWW.ROOMSTOGO.COM](http://WWW.ROOMSTOGO.COM)  
WITH SERVICE OR PARTS REPLACEMENT REQUEST

# ASSEMBLY INSTRUCTION

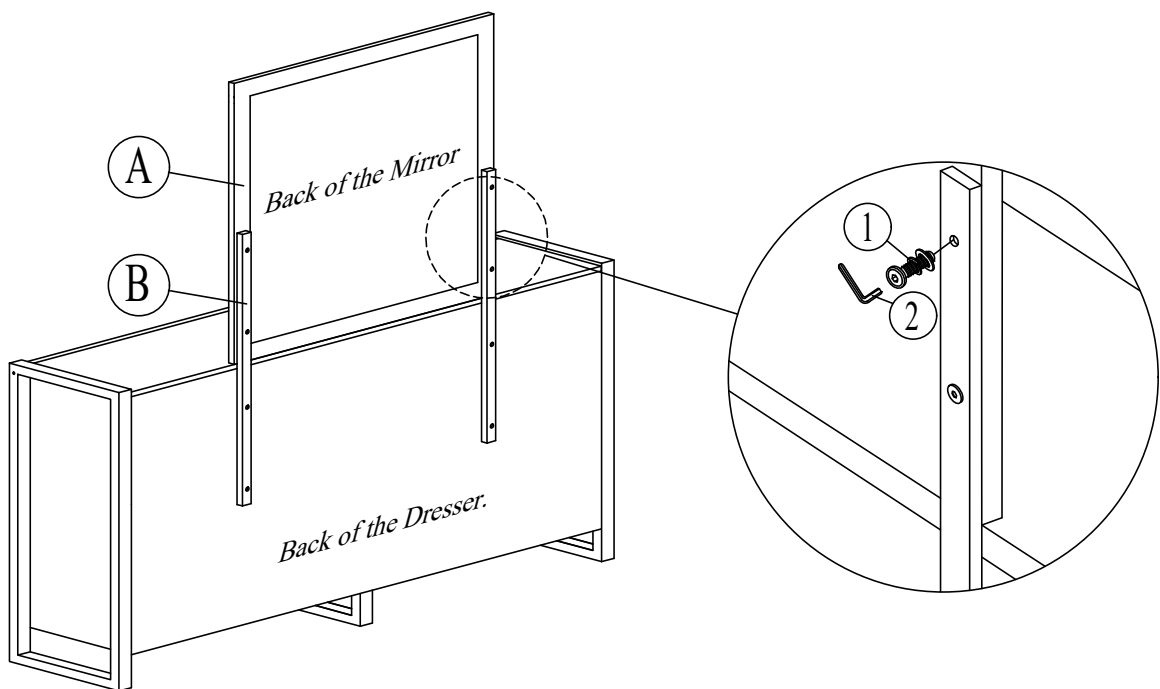
## STEP 1

Align Mirror Support Rail to the Dresser. Fasten the Support Rails.



## STEP 2

Fasten the Mirror Support Rails and Mirror.



This product is manufactured by STOF for **ROOMSTOGO | KIDS**  
DO NOT USE SUBSTITUTE PARTS. PLEASE CONTACT YOUR DETAIL STORE OR [WWW.ROOMSTOGO.COM](http://WWW.ROOMSTOGO.COM)  
WITH SERVICE OR PARTS REPLACEMENT REQUEST