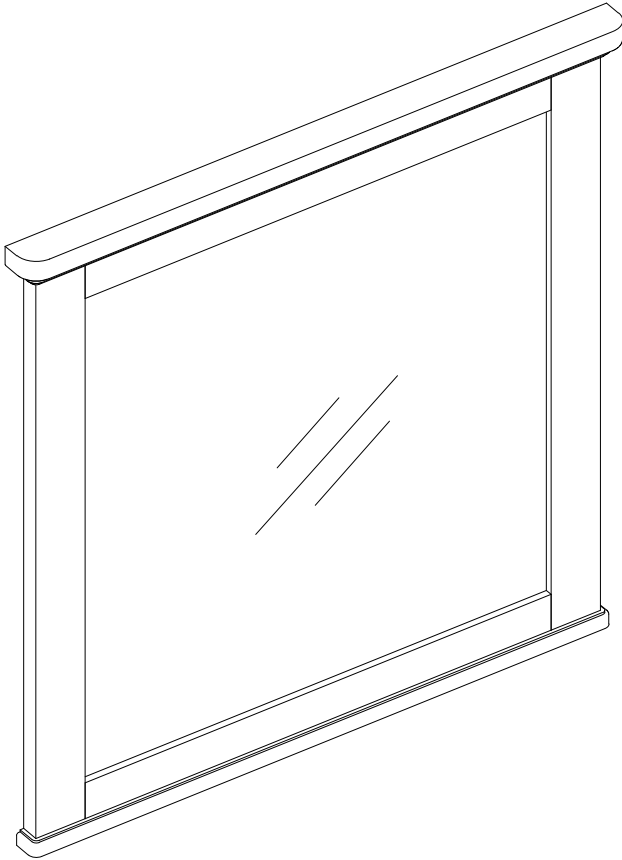


# SOUTH BEND MIRROR



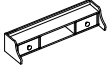







RTG SKU#	STYLE#	COLOR	ITEM DESCRIPTION
34027501	275 - 030	Cherry	Mirror
34029505	295 - 030	White	Mirror

DO NOT USE SUBSTITUTE PARTS.  
PLEASE CONTACT YOUR RETAIL STORE OR [WWW.ROOMSTOGO.COM](http://WWW.ROOMSTOGO.COM) WITH SERVICE OR PARTS  
REPLACEMENT REQUEST

This product is manufactured by INRM for **ROOMS TO GO** | **KIDS™**

# SOUTH BEND MIRROR

PART LIST			
NO.	ITEM DESCRIPTION	IMAGE	Q'TY
A	Mirror		1PC
B	Mirror Brackets with 4 pre-installed bolts		2PCS
C	Hutch (Sold separately)		1PC
D	3 Drawer Desk (Sold separately)		1PC
E	8 Drawer Chesser (Sold separately)		1PC
F	6 Drawer Dresser (Sold separately)		1PC

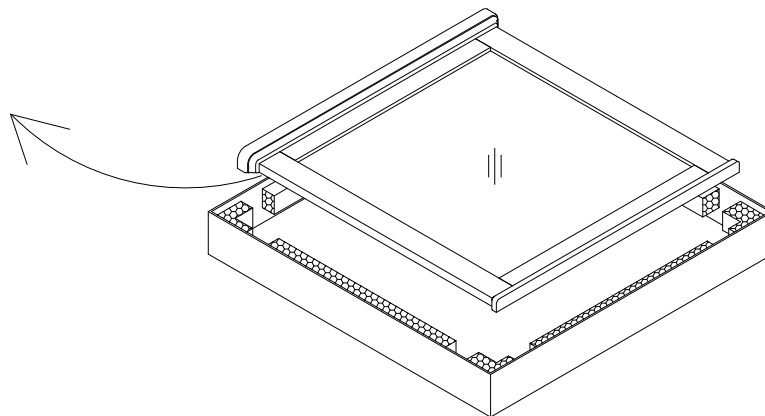
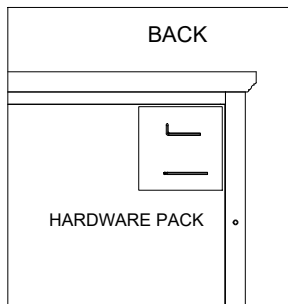
HARDWARE LIST			
NO.	ITEM DESCRIPTION	IMAGE	Q'TY
1	Allen Wrench 4*80mm		1PC
2	Allen Key 4*100mm		1PC

**Remark:**

In case of using the drilling machines for the assembling, please use the Allen Key (2) to replace Allen Wrench (1).

## Hardware pack location

RTG SKU#	STYLE#	COLOR	DESCRIPTION
34027501	275-030	Cherry	Mirror
34029505	295-030	White	Mirror



**DO NOT USE SUBSTITUTE PARTS.**

PLEASE CONTACT YOUR RETAIL STORE OR [WWW.ROOMSTOGO.COM](http://WWW.ROOMSTOGO.COM) WITH SERVICE OR PARTS REPLACEMENT REQUEST

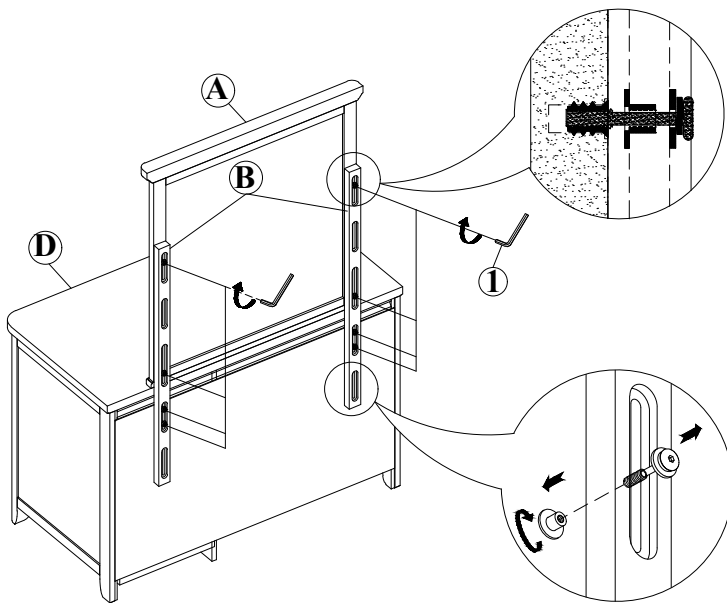
This product is manufactured by INRM for **ROOMS TO GO | KIDS™**

# SOUTH BEND MIRROR

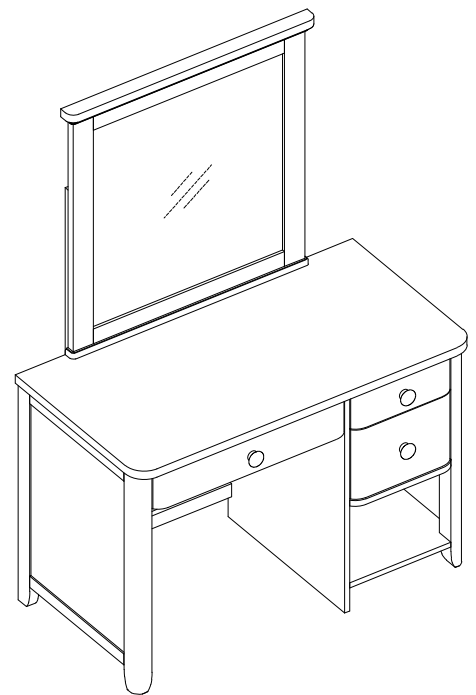
Thank you for purchasing this quality product. Be sure to check all packing material carefully for small parts which may have come loose inside the carton during shipment. Identify and count all parts and compare with the parts list below. Read all instructions before assembling and keep these instructions for future reference.

## Assembly Instructions:

### OPTION 1 : Assemble Mirror with 3 Drawer Desk



Step 1: Unbolt a pre-installed bolt on mirror bracket and then install it again as drawing shown.



Step 2: Completed

DO NOT USE SUBSTITUTE PARTS.  
PLEASE CONTACT YOUR RETAIL STORE OR [WWW.ROOMSTOGO.COM](http://WWW.ROOMSTOGO.COM) WITH SERVICE OR PARTS  
REPLACEMENT REQUEST

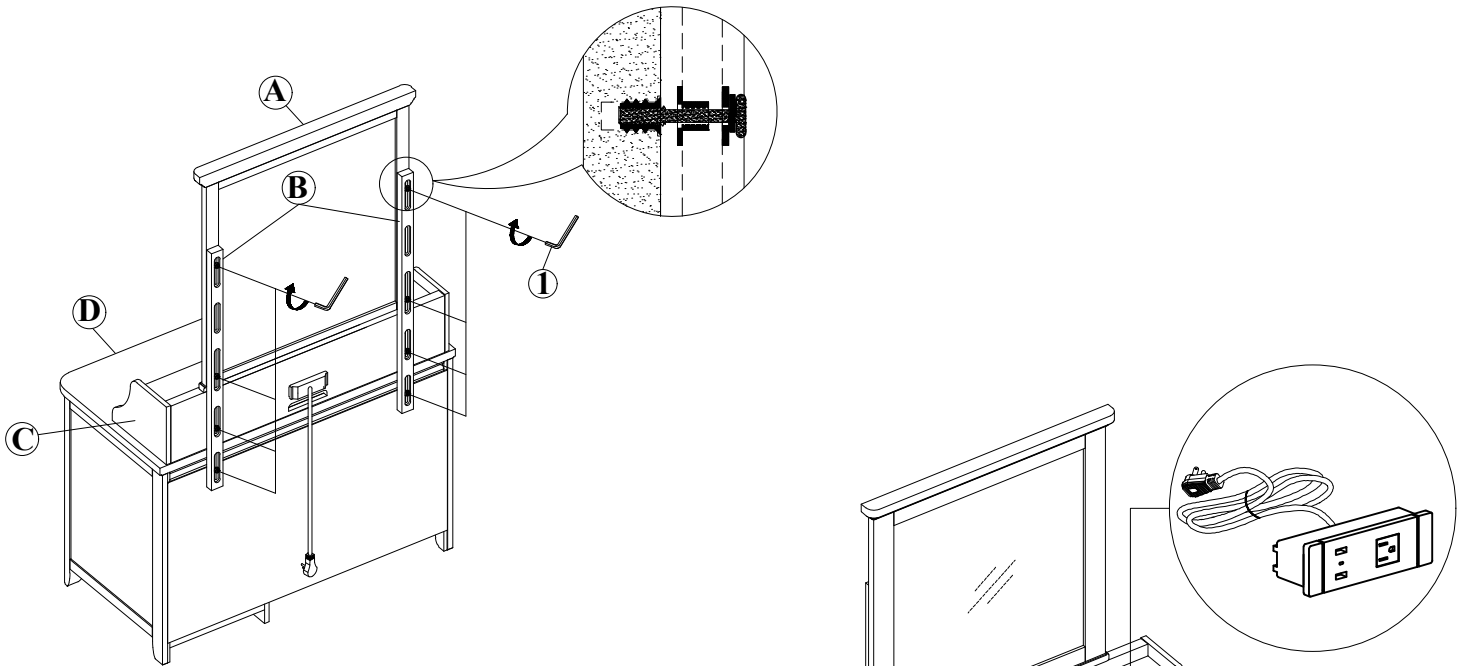
This product is manufactured by INRM for **ROOMS TO GO** | **KIDS™**

# SOUTH BEND MIRROR

Thank you for purchasing this quality product. Be sure to check all packing material carefully for small parts which may have come loose inside the carton during shipment. Identify and count all parts and compare with the parts list below. Read all instructions before assembling and keep these instructions for future reference.

## Assembly Instructions:

### OPTION 2 : Assemble Mirror with 2-Drawer Hutch with Power Strip & 3 Drawer Desk



Step 1: Fully tighten the pre-installed bolts on mirror bracket into the units with positions as drawing shown.

Step 2: Completed

DO NOT USE SUBSTITUTE PARTS.  
PLEASE CONTACT YOUR RETAIL STORE OR [WWW.ROOMSTOGO.COM](http://WWW.ROOMSTOGO.COM) WITH SERVICE OR PARTS  
REPLACEMENT REQUEST

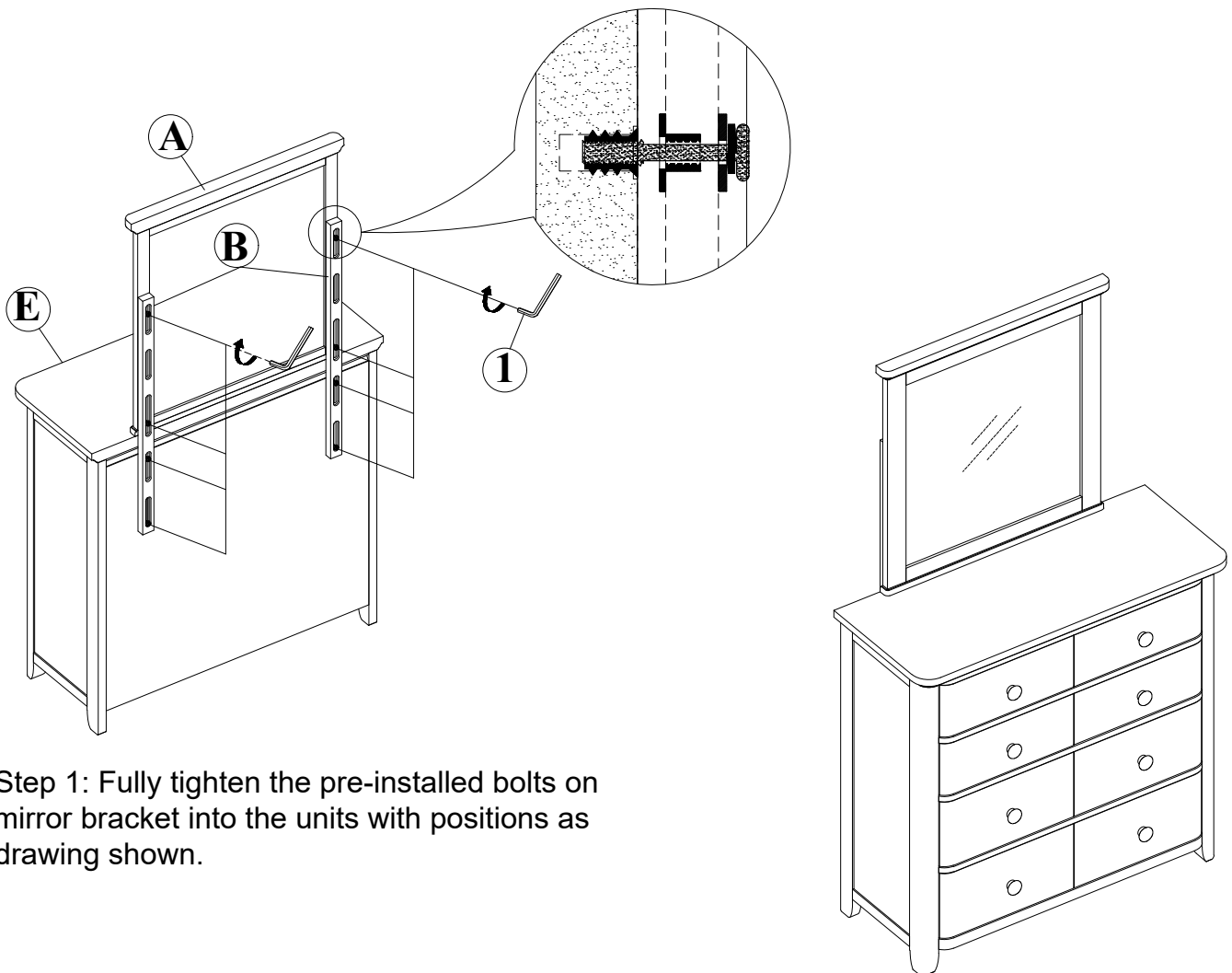
This product is manufactured by INRM for **ROOMS TO GO | KIDS™**

# SOUTH BEND MIRROR

Thank you for purchasing this quality product. Be sure to check all packing material carefully for small parts which may have come loose inside the carton during shipment. Identify and count all parts and compare with the parts list below. Read all instructions before assembling and keep these instructions for future reference.

## Assembly Instructions:

### OPTION 3 : Assemble Mirror with 8-Drawer Chesser



Step 1: Fully tighten the pre-installed bolts on mirror bracket into the units with positions as drawing shown.

Step 2: Completed

DO NOT USE SUBSTITUTE PARTS.  
PLEASE CONTACT YOUR RETAIL STORE OR [WWW.ROOMSTOGO.COM](http://WWW.ROOMSTOGO.COM) WITH SERVICE OR PARTS  
REPLACEMENT REQUEST

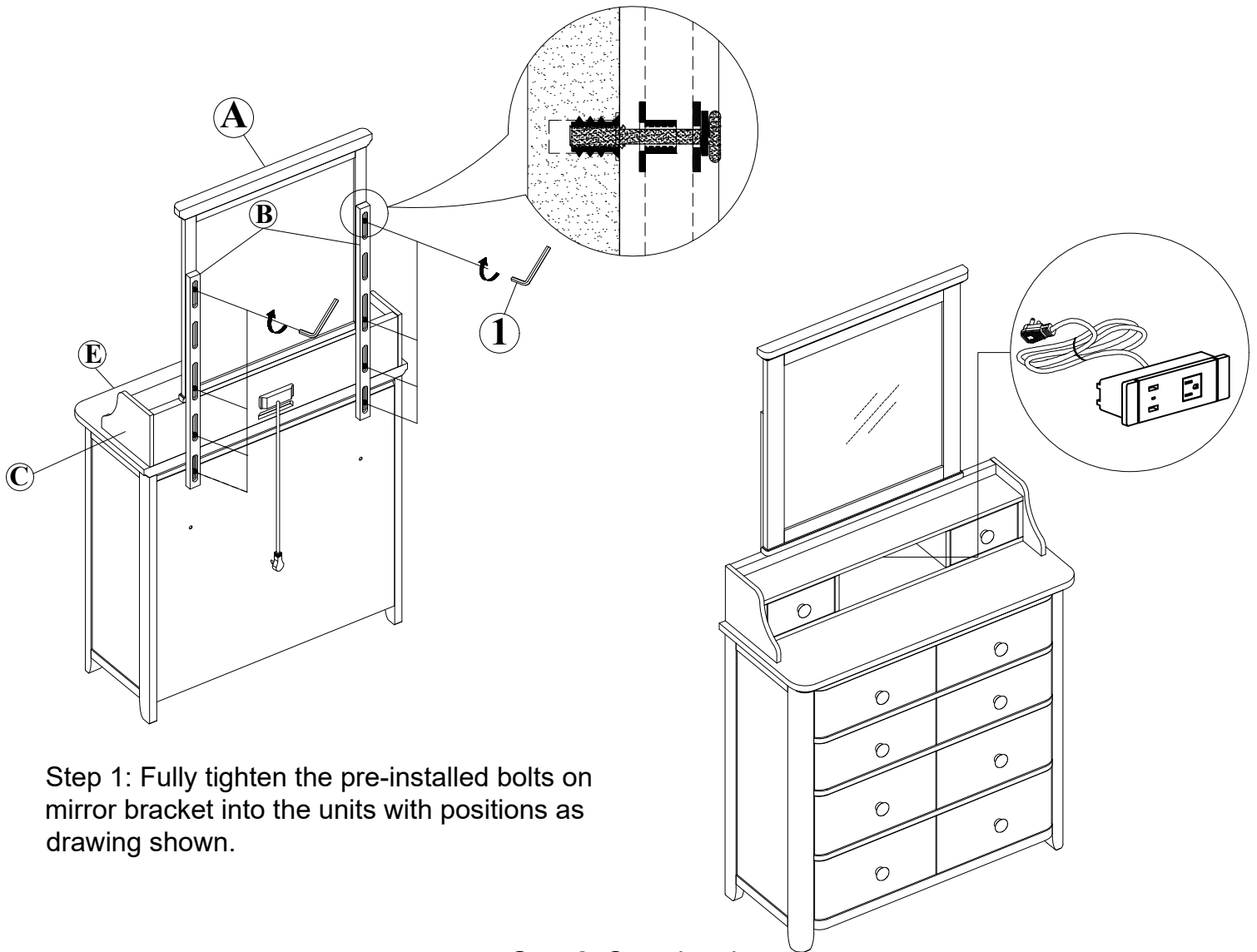
This product is manufactured by INRM for **ROOMS TO GO | KIDS™**

# SOUTH BEND MIRROR

Thank you for purchasing this quality product. Be sure to check all packing material carefully for small parts which may have come loose inside the carton during shipment. Identify and count all parts and compare with the parts list below. Read all instructions before assembling and keep these instructions for future reference.

## Assembly Instructions:

OPTION 4 : Assemble Mirror with 2-Drawer Hutch with Power Strip & 8 Drawer Chesser



Step 1: Fully tighten the pre-installed bolts on mirror bracket into the units with positions as drawing shown.

Step 2: Completed

DO NOT USE SUBSTITUTE PARTS.  
PLEASE CONTACT YOUR RETAIL STORE OR [WWW.ROOMSTOGO.COM](http://WWW.ROOMSTOGO.COM) WITH SERVICE OR PARTS  
REPLACEMENT REQUEST

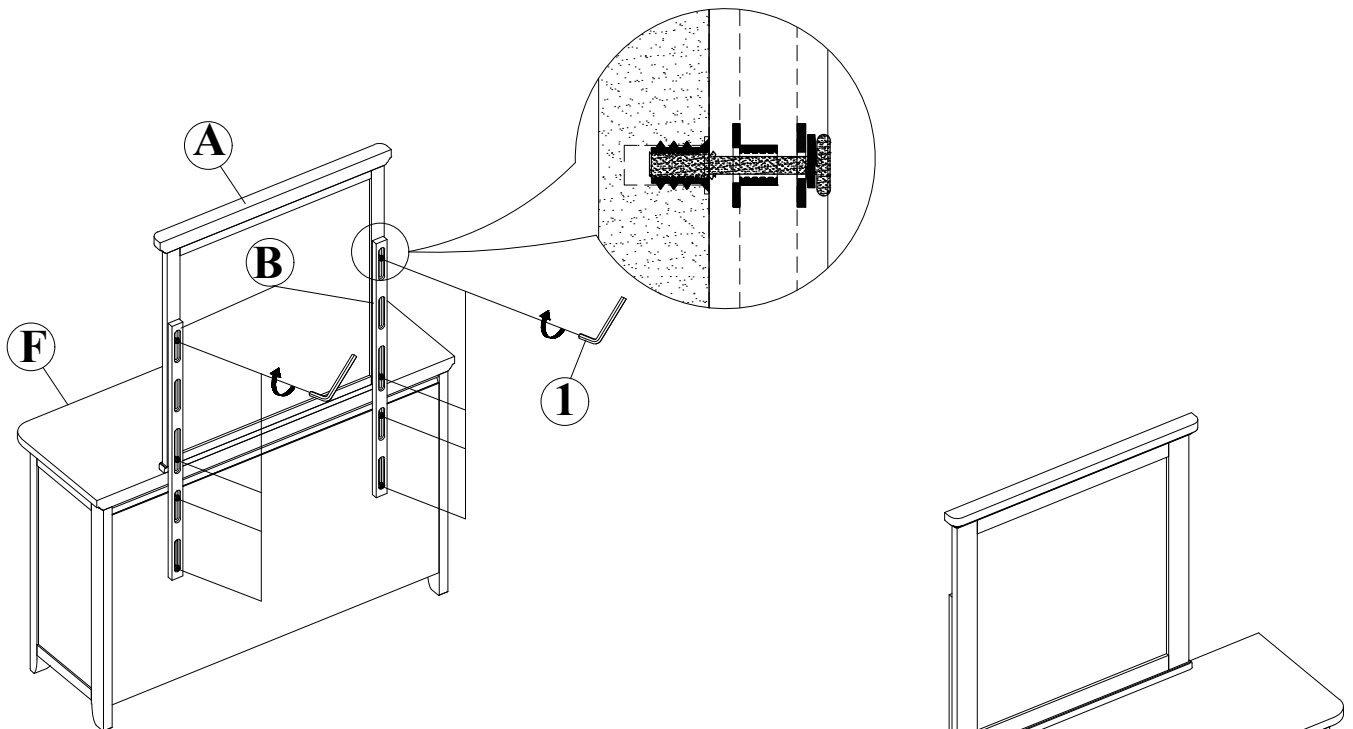
This product is manufactured by INRM for **ROOMS TO GO | KIDS™**

# SOUTH BEND MIRROR

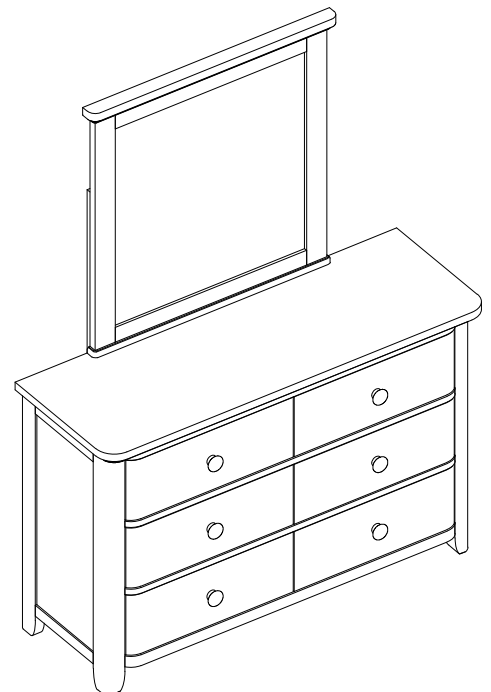
Thank you for purchasing this quality product. Be sure to check all packing material carefully for small parts which may have come loose inside the carton during shipment. Identify and count all parts and compare with the parts list below. Read all instructions before assembling and keep these instructions for future reference.

## Assembly Instructions:

### OPTION 5 : Assemble Mirror with 6 Drawer Dresser



Step 1: Fully tighten the pre-installed bolts on mirror bracket into the units with positions as drawing shown.



Step 2: Completed

DO NOT USE SUBSTITUTE PARTS.  
PLEASE CONTACT YOUR RETAIL STORE OR [WWW.ROOMSTOGO.COM](http://WWW.ROOMSTOGO.COM) WITH SERVICE OR PARTS  
REPLACEMENT REQUEST

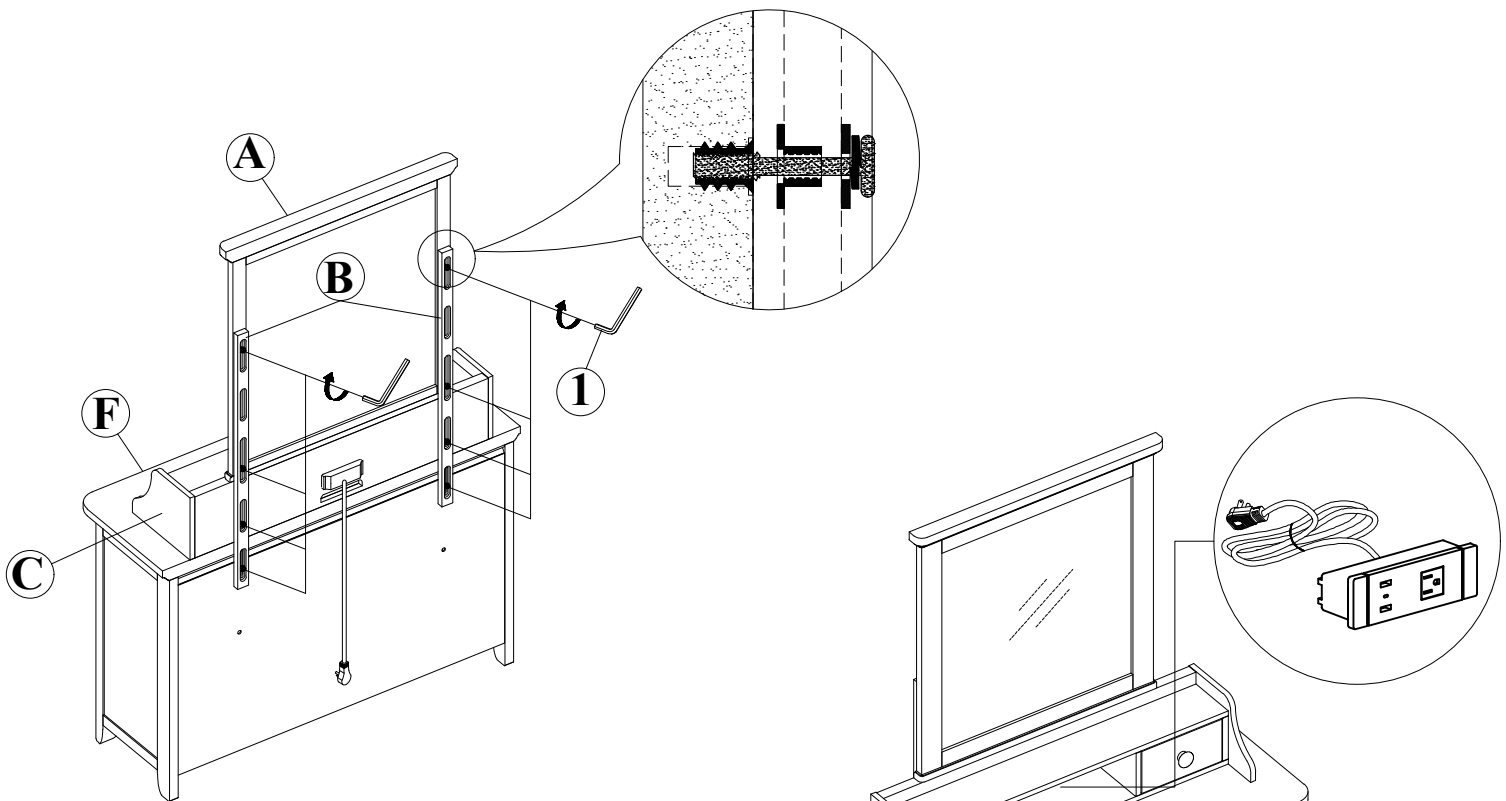
This product is manufactured by INRM for **ROOMS TO GO | KIDS™**

# SOUTH BEND MIRROR

Thank you for purchasing this quality product. Be sure to check all packing material carefully for small parts which may have come loose inside the carton during shipment. Identify and count all parts and compare with the parts list below. Read all instructions before assembling and keep these instructions for future reference.

## Assembly Instructions:

OPTION 6 : Assemble Mirror with 2-Drawer Hutch with Power Strip & 6 Drawer Dresser



Step 1: Fully tighten the pre-installed bolts on mirror bracket into the units with positions as drawing shown.

Step 2: Completed

DO NOT USE SUBSTITUTE PARTS.  
PLEASE CONTACT YOUR RETAIL STORE OR [WWW.ROOMSTOGO.COM](http://WWW.ROOMSTOGO.COM) WITH SERVICE OR PARTS  
REPLACEMENT REQUEST

This product is manufactured by INRM for **ROOMS TO GO | KIDS™**