

(98-161) COTTAGE COLORS COLLECTION BUNK BED ASSEMBLY INSTRUCTIONS

THANK YOU FOR YOUR PURCHASE !

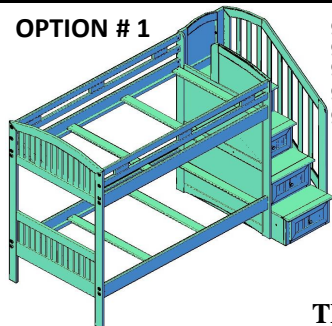
PLEASE CONTACT YOUR RETAIL STORE WITH SERVICE OR PARTS REPLACEMENT REQUEST

READ ALL THE INSTRUCTIONS AND IDENTIFY ALL COMPONENTS AND CHOOSE YOUR CONFIGURATION AND BE SURE YOU HAVE ALL PARTS
TWO PEOPLE ARE NEEDED TO ASSEMBLE.

DO NOT COMPLETELY TIGHTEN ALL BOLTS UNTIL ALL COMPONENTS ARE CONNECTED.

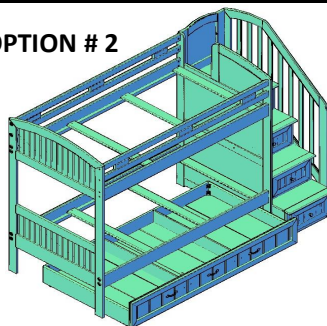
CONFIGURATION TYPE # 1

OPTION # 1



- 98-161 STEP BUNK BED UNIT
- 98-703 STEP BUNK BED END
- 98-706 BUNK BED END
- 98-730 6 PCS SIDE RAILS
- 98-645 4 PCS SLAT PACK 3/3 (2 PCS)

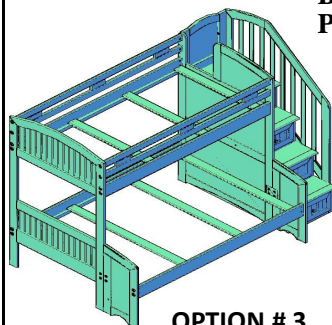
OPTION # 2



- 98-161 STEP BUNK BED UNIT
- 98-703 STEP BUNK BED END
- 98-706 BUNK BED END
- 98-730 6 PCS SIDE RAILS
- 98-645 4 PCS SLAT PACK 3/3 (2 PCS)

OPTIONAL
98-744 TRUNDLE BED

WARNING:
THE BED SLATS WILL NO SUPPORT A MATTRESS ALONE, A SLAT PACK OR A BUNKIE BOARD IS REQUIRED FOR PROPER SAFETY.
(NOT INCLUDED)

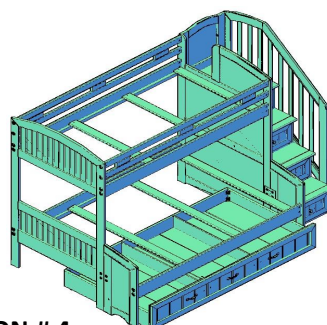


- 98-161 STEP BUNK BED UNIT
- 98-703 STEP BUNK BED END
- 98-706 BUNK BED END
- 98-730 6 PCS SIDE RAILS
- 98-645 4 PCS SLAT PACK 3/3

OPTIONAL

- 98-782 FULL EXTENTION KIT
- 98-646 4 PCS SLAT PACK 4/6

OPTION # 3



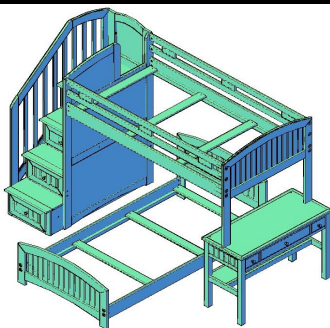
- 98-161 STEP BUNK BED UNIT
- 98-703 STEP BUNK BED END
- 98-706 BUNK BED END
- 98-730 6 PCS SIDE RAILS
- 98-645 4 PCS SLAT PACK 3/3

OPTIONAL

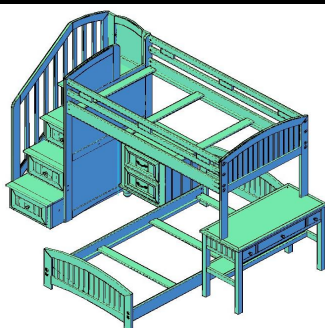
- 98-782 FULL EXTENTION KIT
- 98-646 4 PCS SLAT PACK 4/6
- 98-744 TRUNDLE BED

OPTION # 4

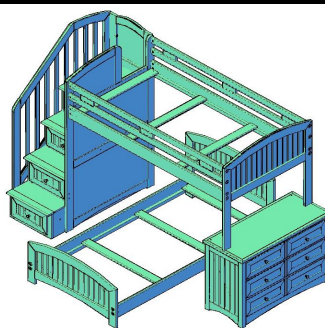
CONFIGURATION TYPE # 2



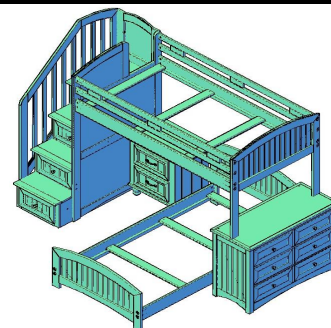
- 98-161 STEP BUNK BED UNIT
- 98-703 STEP BUNK BED END
- 98-705 BUNK BED TOP END
- 98-707 TWIN BED
- 98-602 LOFT DESK
- 98-730 6 PCS SIDE RAILS
- 98-645 4 PCS SLAT PACK 3/3 (2 PCS)



- 98-161 STEP BUNK BED UNIT
- 98-703 STEP BUNK BED END
- 98-705 BUNK BED TOP END
- 98-707 TWIN BED
- 98-602 LOFT DESK
- 98-730 6 PCS SIDE RAILS
- 98-645 4 PCS SLAT PACK 3/3 (2 PCS)
- 98-502 2 DRAWER NIGHT STAND (OPTIONAL)



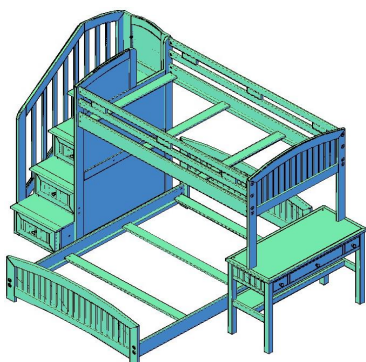
- 98-161 STEP BUNK BED UNIT
- 98-703 STEP BUNK BED END
- 98-705 BUNK BED TOP END
- 98-707 TWIN BED
- 98-208 6 DRAWER DRESSER
- 98-730 6 PCS SIDE RAILS
- 98-645 4 PCS SLAT PACK 3/3 (2 PCS)



- 98-161 STEP BUNK BED UNIT
- 98-703 STEP BUNK BED END
- 98-705 BUNK BED TOP END
- 98-707 TWIN BED
- 98-208 6 DRAWER DRESSER
- 98-730 6 PCS SIDE RAILS
- 98-645 4 PCS SLAT PACK 3/3 (2 PCS)
- 98-502 2 DRAWER NIGHT STAND (OPTIONAL)

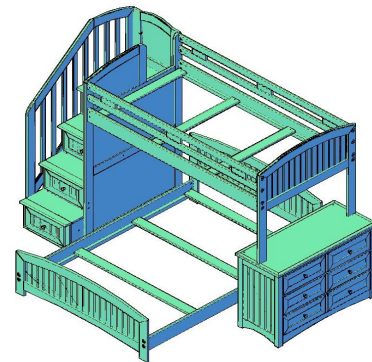
TOOLS NEEDED

PHILIPS HEADSCREWDRIVER (NOT INCLUDED)
5MM ALLEN WRENCH (INCLUDED)



- 98-161 STEP BUNK BED UNIT
- 98-703 STEP BUNK BED END
- 98-705 BUNK BED TOP END
- 98-709 FULL BED
- 98-602 LOFT DESK
- 98-730 6 PCS SIDE RAILS
- 98-645 4 PCS SLAT PACK 3/3
- 98-646 4 PCS SLAT PACK 4/6

- 98-161 STEP BUNK BED UNIT
- 98-703 STEP BUNK BED END
- 98-705 BUNK BED TOP END
- 98-709 FULL BED
- 98-208 6 DRAWER DRESSER
- 98-730 6 PCS SIDE RAILS
- 98-645 4 PCS SLAT PACK 3/3
- 98-646 4 PCS SLAT PACK 4/6



TO ASSEMBLE THIS BUNK BED REQUIRES
TWO PERSONS

STEP BUNK BED UNIT ASSEMBLY INSTRUCTIONS CONFIGURATION TYPE # 1

LIST OF CONTENTS
COTTAGE COLORS COLLECTION

STEP BUNK BED UNIT BOX (98-161) FIG.1

A.- (1) STEP UNIT

BUNK BED END BOX (98-706) FIG.2

B.- (1) HEADBOARD

STEP BUNK BED END BOX (98-703) FIG.3

C.- (1) FOOTBOARD

D.- (1) HAND RAIL

E.- (1) BACK FRAME

HARDWARE PACK (HPK00026)

F.- (2) 100MM BOLTS

G.- (4) 35MM BOLTS

H.- (6) CAP NUTS

I.- (1) 4MM ALLEN WRENCH

J.- (1) 5MM ALLEN WRENCH

K.- (4) 1 1/2" PAN HEAD SCREWS

6 PCS SIDE RAILS BOX (98-730) FIG.4

L.- (4) SIDE RAILS

M.- (2) GUARD RAILS

HARDWARE PACK (HPK00104)

N.- (24) 80MM FLAT HEAD BOLTS

O.- (24) 5/8" CROSS DOWEL NUTS

J.- (1) 5MM ALLEN WRENCH

4 PCS SLAT PACK BOX (98-645,98-646) FIG.5

P.- (4) SLATS

HARDWARE PACK (HPK00016)

Q.- (8) 1 1/4" SCREWS

OPTIONAL

FULL EXTENTION KIT BOX (98-782) FIG.6

R.- (2) EXTENTION KITS

HARDWARE PACK (HPK00044)

S.- (2) METAL PLATES

T.- (8) 17.4MM CONECTOR BOLTS

G.- (1) 35MM BOLT

H.- (9) CAP NUTS

J.- (1) 5MM HEX KEY

TRUNDLE BED STORAGE BOX (98-744) FIG.7

U.- (1) TRUNDLE BED

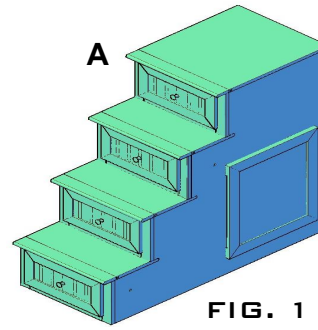


FIG. 1

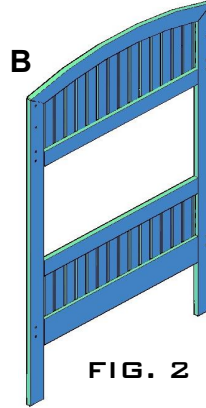
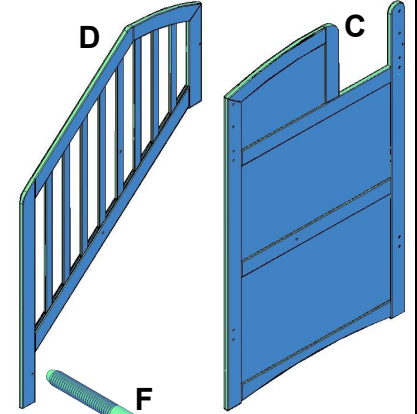


FIG. 2

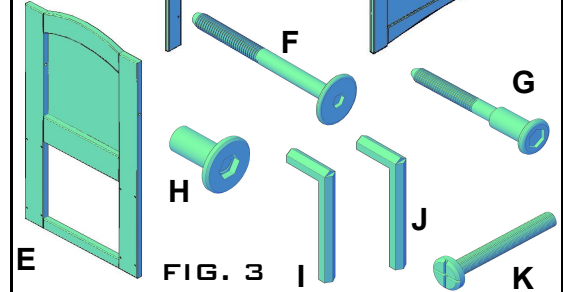


FIG. 3

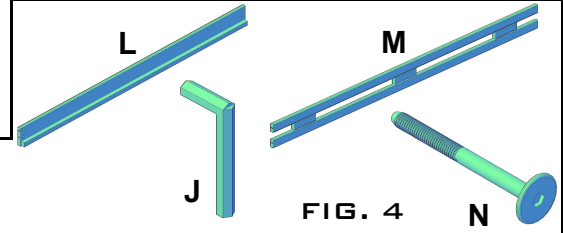


FIG. 4

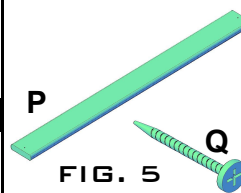


FIG. 5

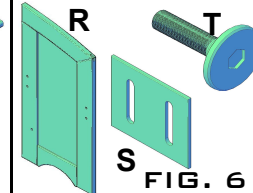


FIG. 6

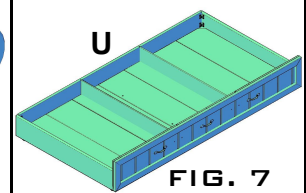


FIG. 7

TWIN OVER TWIN BUNK BED ASSEMBLY (USE TWO 4 PCS SLAT PACK 98-645)

- 1.- TO ASSEMBLE STEP BUNK BED, USING ONE HEADBOARD (B), ONE FOOTBOARD (C), FOUR SIDE RAILS (L), AND TWO GUARD RAILS (M).
- 2.- INSERT TWO CROSS DOWELS (O) IN ACCESS HOLE INSIDE THE SIDE RAIL & GUARD RAIL, ALIGN THE CROSS DOWEL NUT, MAKE SURE THE GROOVE IS HORIZONTAL, SEE FIG.8
- 3.- ATTACH TWO SIDE RAILS (L), AND TWO GUARD RAILS (M) ON TOP TO HEADBOARD WITH THE GROVE LINE AS SHOWN IN FIG.9 AND FOOTBOARD, INSERTING TWO FLAT HEAD BOLTS (N) INTO THE HDBD & FTBD HOLES, USE 5MM ALLEN WRENCH (J) TO TIGHTEN BOTH FLAT HEAD BOLTS, **(DO NOT TIGHTEN COMPLETELY UNTIL**

ALL PIECES ARE CONNECTED TOGETHER) SEE FIG.9, REPEAT THE SAME PROCEDURE AT ALL FOUR CORNERS.

4.- TO ATTACH BOTTOM SIDE RAILS, USE THE SAME PROCESS AS SHOWN IN TOP SIDE RAILS, USING TWO SIDE RAILS TO HDBD&FTBD BOTTOM HOLES, SEE FIG.9

5.- PLACE FOUR SLATS (P) ON TOP & BOTTOM SIDE RAIL CLEATS, ONE SLAT IN BOTH HDBD&FTBD ENDS, PUSH THE SLATS AGAINST THE BED END POST (FIG.A) AND TWO SLATS IN THE MIDDLE AT EQUAL DISTANCE FROM THE END SLATS, THEN EACH SLAT MUST BE FASTEN WITH ONE 1 1/4" SCREW (Q), SEE FIG.10 **(USE TWO 4 PCS SLAT PACK (98-645) IN CONFIGURATION #1, OPTION #1 AND OPTION #2)**

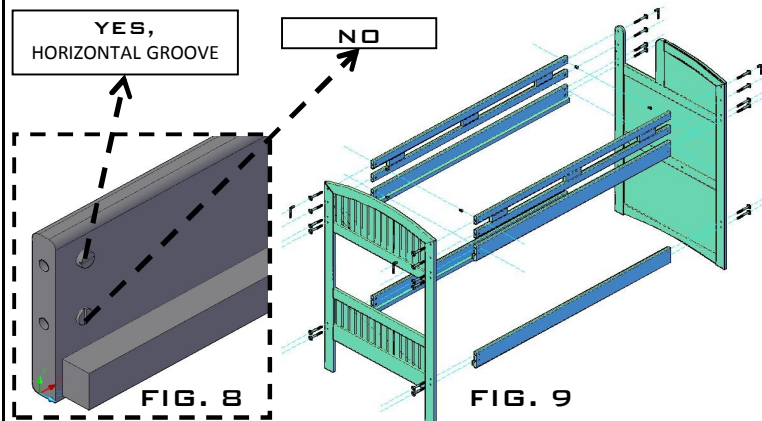


FIG. 8

FIG. 9

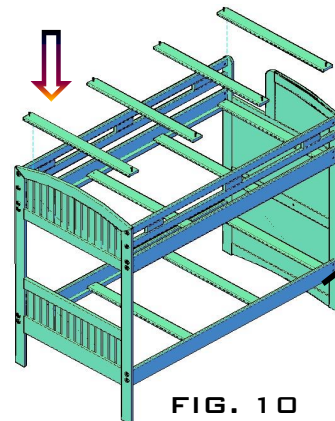


FIG. 10

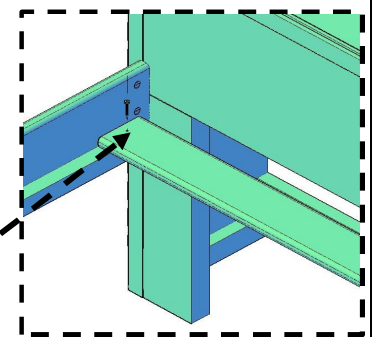
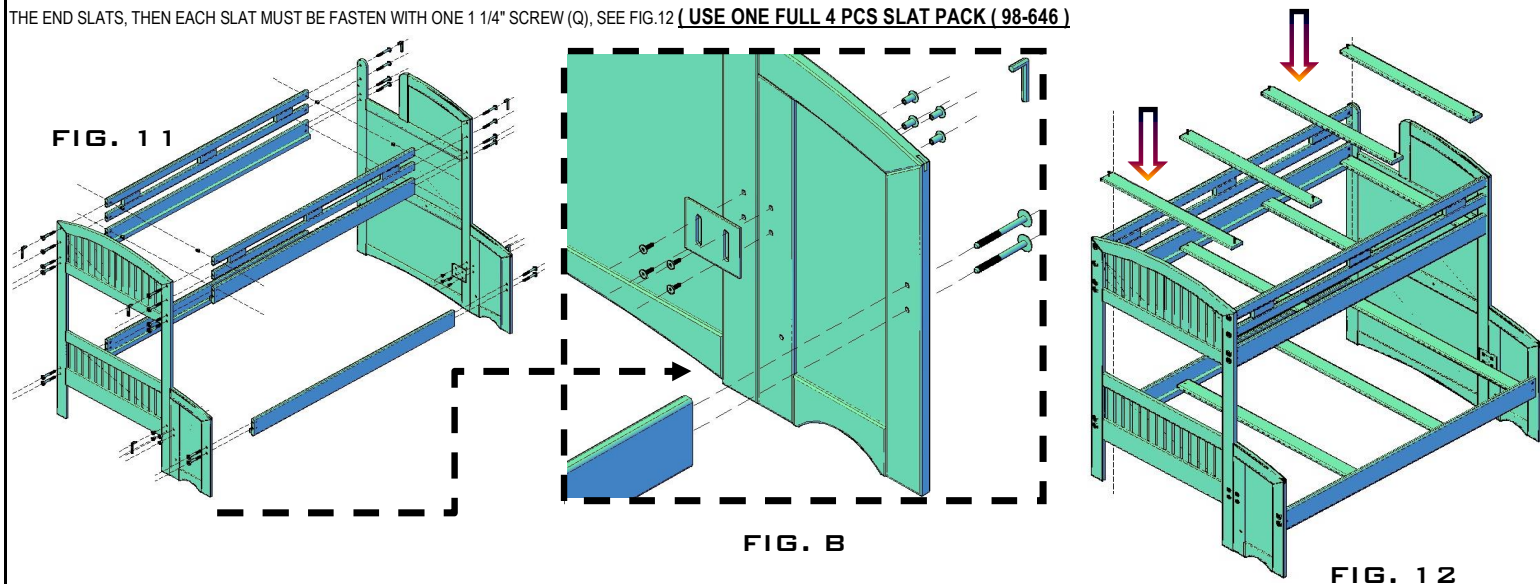


FIG. A

TWIN OVER FULL BUNK BED WITH EXTENTION KIT BED ASSEMBLY

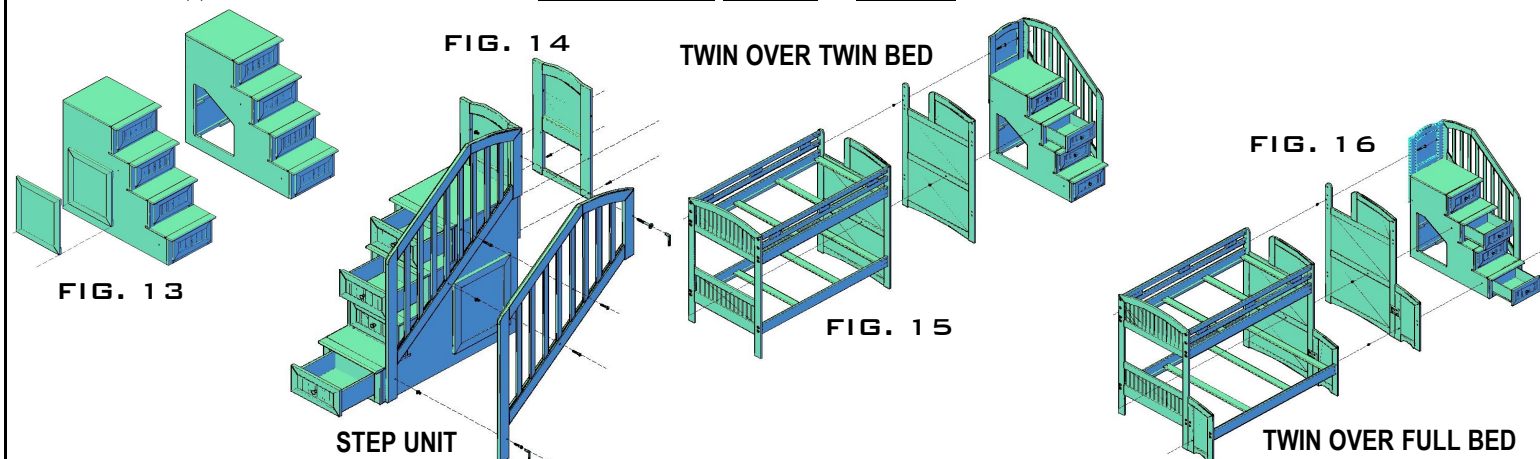
USE ONE 4 PCS SLAT PACK (98-645) ON TOP SIDE RAIL AND ONE 4 PCS SLAT PACK (98-646) ON BOTTON SIDE RAIL

- 1.- TO ASEMBLE STEP BUNK BED, USING ONE HEADBOARD (B), ONE FOOTBOARD (C), FOUR SIDE RAILS (L), TWO GUARD RAILS (M) AND TWO EXTENTION KITS (R).
- 2.- INSERT TWO CROSS DOWELS (O) IN ACCESS HOLE INSIDE THE SIDE RAIL, ALIGN THE CROSS DOWEL NUT, MAKE SURE THE GROOVE IS HORIZONTAL, SEE FIG.8
- 3.- TO ATTACH TWO SIDE RAILS (L), AND TWO GUARD RAILS (M) ON TOP, REPEAT THE SAME PROCESS AS SHOWN IN FIG.9
- 4.- ATTACH EXTENTION KIT (R), USING ONE METAL PLATE (S), FOUR 17.4MM BOLTS (T), FOUR CAP NUTS (H), ALIGN THE EXTENTION KIT WITH THE BOTTOM HEADBOARD & FOOTBOARD, THEN ALIGNED METAL PLATE GROOVE FROM INSIDE WITH HEADBOARD & FOOTBOARD & EXTENTION KIT HOLES, FASTEN BY INSERTING FOUR 17.4MM BOLTS FROM INSIDE AND FOUR CAP NUTS FROM OUTSIDE, USE THE 5MM ALLEN WRENCH (J) TO TIGHTEN BOLTS UNTIL SECURE, REPEAT THE SAME PROCESS IN EACH SIDE, SEE FIG.B
- 5.- TO ATTACH BOTTOM SIDE RAILS, USE THE SAME PROCESS AS SHOWN IN TOP SIDE RAILS, SEE FIG.9, USING TWO SIDE RAILS TO HDBD&FTBD BOTTOM HOLES, SEE FIG.11, TIGHT ALL BOLTS UNTIL SECURE.
- 6.- PLACE FOUR SLATS (P) ON TOP SIDE RAIL CLEATS, ONE SLAT IN BOTH HDBD & FTBD ENDS, PUSH THE SLATS AGAINST THE BED END POST (FIG. A) AND TWO SLATS IN THE MIDDLE AT EQUAL DISTANCE FROM THE END SLATS, THEN EACH SLAT MUST BE FASTEN WITH ONE 1 1/4" SCREW (Q), SEE FIG.12 (**USE ONE TWIN 4 PCS SLAT PACK (98-645)**)
- 7.- PLACE FOUR SLATS (P) ON BOTTOM SIDE RAIL CLEATS, ONE SLAT IN BOTH HDBD & FTBD ENDS, PUSH THE SLATS AGAINST THE BED END POST (FIG.A) AND TWO SLATS IN THE MIDDLE AT EQUAL DISTANCE FROM THE END SLATS, THEN EACH SLAT MUST BE FASTEN WITH ONE 1 1/4" SCREW (Q), SEE FIG.12 (**USE ONE FULL 4 PCS SLAT PACK (98-646)**)



STEP BUNK BED UNIT ASSEMBLY

- 1.- PROCEED TO ASSEMBLE THE STEP UNIT, FIRST CHOOSING THE CONFIGURATION THAT FITS YOUR ROOM, **LEFT OR RIGHT** SEE FIG. 13, IF LEFT GO TO STEP #3 OR RIGHT GO TO STEP #2
- 2.- CHANGE DOOR THAT IS FACTORY INSTALLED IN LEFT SIDE TO THE RIGHT SIDE, USING A PHILLIPS SCREWDRIVER (**NOT INCLUDED**), REMOVE SCREWS FROM CASE PORTION OF THE HINGES, KEEP THE HINGES FOR ATTACH THE DOOR (FIG.13) (**SAVE THE SCREWS TO RE-ATTACH THE DOOR TO RIGHT SIDE**), THEN INSTALL DOOR ON THE RIGHT SIDE.
- 3.- TAKE THE BACK FRAME (E), PLACE IT IN THE BACK OF STEP UNIT (A), ALIGNING THE BACK FRAME HOLES WITH THE METAL INSERTS, FASTENING WITH FOUR 1 1/2" PAN HEAD SCREWS (K), SEE FIG.14
- 4.- REMOVE FIRST, SECOND AND FOURTH DRAWERS FROM STEP UNIT (A), ALIGNING HANDRAIL HOLES (D) WITH STEP UNIT HOLES IN THE SAME SIDE DOOR, INSERTING ONE 35MM BOLT (G) FROM OUTSIDE ON OF HANDRAIL, ALIGNING HANDRAIL HOLE WITH BACK FRAME HOLE IN THE TOP, INSERTING ONE 100MM BOLT (F) THEN INSERT ONE CAP NUT (H) IN EACH BOLT, FASTEN USING ALLEN WRENCH (I, J), TIGHT ALL BOLTS UNTIL SECURE, SEE FIG.14
- 5.- TO ATTACH TO TWIN OVER TWIN ASSEMBLY WITH STEP BUNK BED ASSEMBLY, ALIGNMENT HOLES ON BOTH SIDES, INSERT ONE 35MM BOLT IN BOTTOM HOLE AND ONE 100MM BOLT IN TOP HOLE, THEN INSERT ONE CAP NUT IN BOTH BOLTS AND FASTEN USING ALLEN WRENCH, SEE FIG.15
- 6.- TO ATTACH TO TWIN OVER FULL ASSEMBLY WITH STEP BUNK BED ASSEMBLY, ALIGNMENT HOLES ON BOTH SIDES, INSERT TWO 35MM BOLTS IN BOTTOM HOLES AND ONE 100MM BOLT IN TOP HOLE, INSERT ONE CAP NUT IN BOTH BOLTS AND FASTEN USING ALLEN WRENCH, SEE FIG.16
- 7.- REPLACE BACK THE DRAWERS AND MOVE STEP BUNK BED TO THE FINAL POSITION.
- 8.- SLIDE TRUNDLE BED (U) UNDER BOTTOM SIDE RAILS, LIKE SHOWN IN **CONFIGURATION #1, OPTION #2 AND OPTION #4.**



STEP BUNK BED UNIT ASSEMBLY INSTRUCTIONS CONFIGURATION TYPE # 2

LIST OF CONTENTS
COTTAGE COLORS COLLECTION

STEP BUNK BED UNIT BOX (98-161) FIG.1

A.- (1) STEP UNIT

BUNK BED TOP END BOX (98-705) FIG.2

B.- (1) TOP BUNK BED

HARDWARE PACK (HPK00012)

C.- (2) METAL DOWEL PINS

STEP BUNK BED END BOX (98-703) FIG.3

D.- (1) FOOTBOARD

E.- (1) HAND RAIL

F.- (1) BACK FRAME

HARDWARE PACK (HPK00026)

G.- (2) 100MM BOLTS

H.- (4) 35MM BOLTS

I.- (6) CAP NUTS

J.- (1) 4MM ALLEN WRENCH

K.- (1) 5MM ALLEN WRENCH

L.- (4) 1 1/2" PAN HEAD SCREWS

6 PCS SIDE RAILS BOX (98-730) FIG.4

M.- (4) SIDE RAILS

N.- (2) GUARD RAILS

HARDWARE PACK (HPK00104)

O.- (24) 80MM FLAT HEAD BOLTS

P.- (24) 5/8" CROSS DOWEL NUTS

K.- (1) 5MM ALLEN WRENCH

6 DRAWER DRESSER BOX (98-208) FIG.5

Q.- (1) 6 DRAWER DRESSER

3 DRAWER COMPUTER DESK BOX (98-602) FIG.5

R.- (1) 3 DRAWER COMPUTER DESK

4 PCS SLAT PACK BOX (98-645,98-646) FIG.6

S.- (4) SLATS

HARDWARE PACK (HPK00016)

T.- (8) 1 1/4" SCREWS

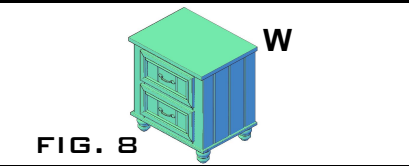
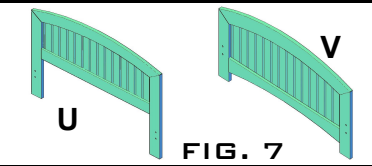
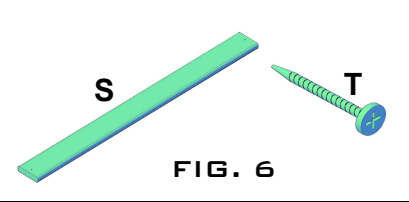
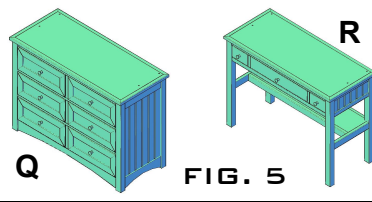
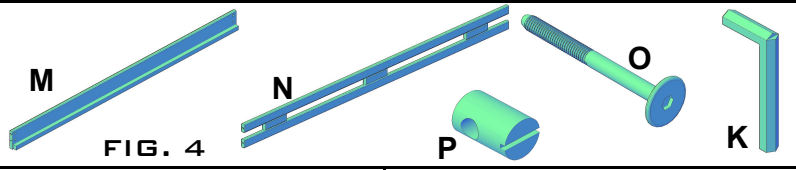
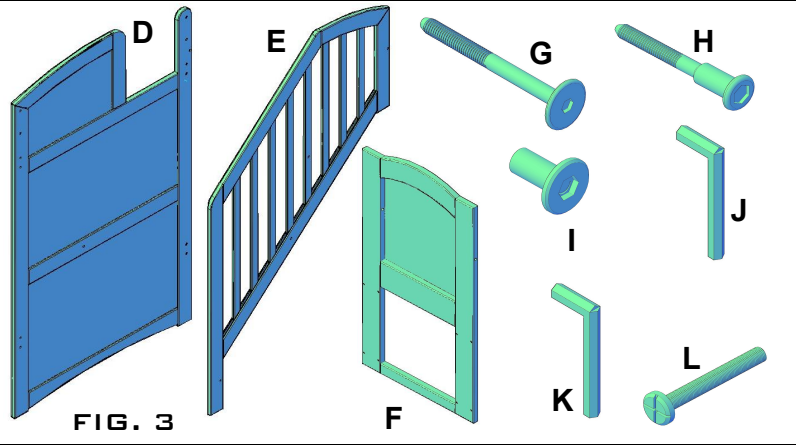
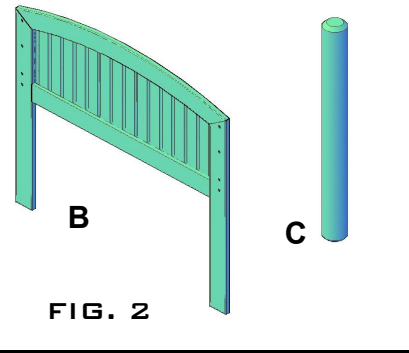
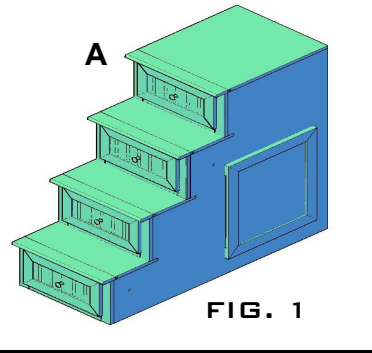
TWIN/FULL BED BOX (98-707,98-709) (FIG.7)

U.- (1) HEADBOARD

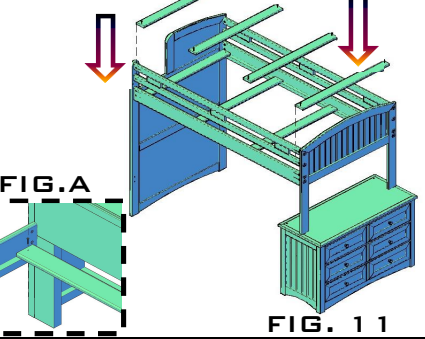
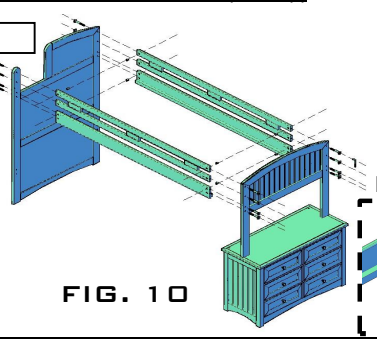
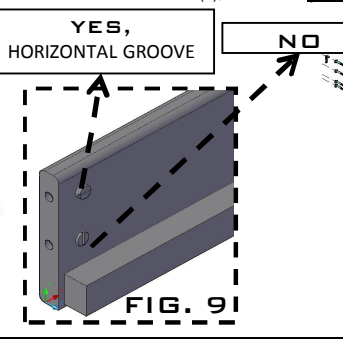
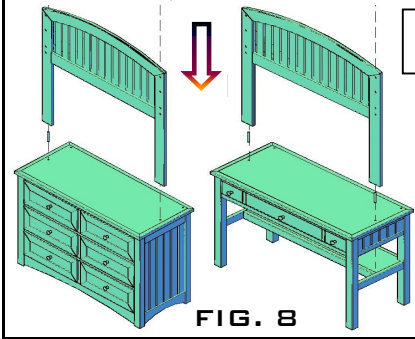
V.- (1) FOOTBOARD

2 DRAWER NIGHT STAND BOX (98-502) (FIG.8) OPTIONAL

W.- (1) 2 DRAWER NIGHT STAND



- 1.- TO ASSEMBLE STEP BUNK BED, USING ONE TOP BUNK BED (B), ONE FOOTBOARD (D), TWO SIDE RAILS (M), TWO GUARD RAILS (N), ONE 6 DRAWER DRESSER (Q) OR ONE 3 DRAWER COMPUTER DESK (R)
- 2.- REMOVE FACTORY INSTALLED PLASTIC PLUGS FROM THE TOP OF DRESSER OR THE TOP OF THE DESK , THEN INSERT ONE METAL DOWEL PIN (C) IN EACH HOLE OF THE TOP, TAKE THE TOP BUNK BED END (B) PLACE IT ON TOP OF THE DRESSER OR DESK WITH THE GROOVE LINES FACING LIKE FIG.8, ALIGNING THE METAL DOWEL PINS WITH THE BOTTOM HOLES OF TOP BUNK BED END UNTIL ARE ALL THE WAY IN, SEE FIG.8
- 3.- INSERT TWO CROSS DOWELS (P) IN ACCESS HOLE INSIDE THE SIDE RAIL & GUARD RAIL, ALIGN THE CROSS DOWEL NUT, MAKE SURE THE GROOVE IS HORIZONTAL, SEE FIG.9
- 4.- ATTACH TWO SIDE RAILS (M), TWO GUARD RAILS (N) TO TOP BUNK BED (B) & FOOTBOARD (D), INSERTING TWO 80MM FLAT HEAD BOLTS (O) INTO TO TOP BUNK BED&FOOTBOARD HOLES, USE THE 5MM ALLEN WRENCH (K) TO TIGHTEN BOTH FLAT HEAD BOLTS (**DO NOT TIGHTEN COMPLETELY UNTIL ALL PIECES ARE CONNECTED TOGETHER**),REPEAT THE SAME PROCESS AT ALL FOUR CORNERS, SEE FIG.10
- 5.- PLACE 4 SLATS (S) ON TOP SIDE RAIL CLEATS, ONE SLAT IN BOTH TOP BUNK BED & FOOTBOARD ENDS, PUSH THE SLATS AGAINST THE BED END POST (FIG.A) AND TWO SLATS IN THE MIDDLE AT EQUAL DISTANCE FROM THE END SLATS, THEN EACH SLAT MUST BE FASTEN WITH ONE 1 1/4" SCREW (T), SEE FIG.11 (**USE ONE 4 PCS SLAT PACK (98-645)**)



STEP BUNK BED UNIT ASSEMBLY

- 1.- PROCEED TO ASSEMBLE THE STEP UNIT, FIRST CHOOSING THE CONFIGURATION THAT FITS YOUR ROOM, **LEFT OR RIGHT** SEE FIG. 12, IF LEFT GO TO STEP #3 OR RIGHT GO TO STEP #2
- 2.- CHANGE DOOR THAT IS FACTORY INSTALLED IN LEFT SIDE TO THE RIGHT SIDE, USING A PHILLIPS SCREWDRIVER (**NOT INCLUDED**), REMOVE SCREWS FROM CASE PORTION OF THE HINGES, KEEP THE HINGES FOR ATTACH THE DOOR (FIG.12) (**SAVE THE SCREWS TO RE-ATTACH THE DOOR TO RIGHT SIDE**), THEN INSTALL DOOR ON THE RIGHT SIDE.
- 3.- TAKE THE BACK FRAME (F), PLACE IT IN THE BACK OF STEP UNIT (A), ALIGNING THE BACK FRAME HOLES WITH THE METAL INSERTS, FASTENING WITH FOUR 1 1/2" PAN HEAD SCREWS (L), SEE FIG.13
- 4.- REMOVE FIRST, SECOND AND FOURTH DRAWERS FROM STEP UNIT (A), ALIGNING HANDRAIL HOLES (E) WITH STEP UNIT HOLES IN THE SAME SIDE DOOR, INSERTING ONE 35MM BOLT (H) FROM OUTSIDE ON OF HANDRAIL, ALIGNING HANDRAIL HOLE WITH BACK FRAME HOLE IN THE TOP, INSERTING ONE 100MM BOLT (G) THEN INSERT ONE CAP NUT (I) IN EACH BOLT, FASTEN USING ALLEN WRENCH (J, K), TIGHT ALL BOLTS UNTIL SECURE, SEE FIG.13
- 5.- TO ATTACH TO TWIN TOP BUNK BED ASSEMBLY WITH STEP BUNK BED ASSEMBLY, ALIGNMENT HOLES ON BOTH SIDES, INSERT ONE 35MM BOLT IN BOTTOM HOLE AND ONE 100MM BOLT IN TOP HOLE, AND INSERT ONE CAP NUT IN BOTH BOLTS AND FASTEN USING ALLEN WRENCH, SEE FIG.14
- 6.- REPLACE BACK THE DRAWERS AND MOVE STEP BUNK BED TO THE FINAL POSITION.

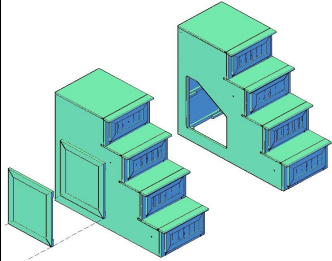


FIG. 12

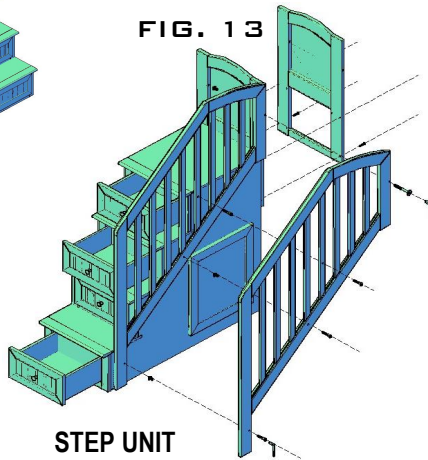


FIG. 13

STEP UNIT

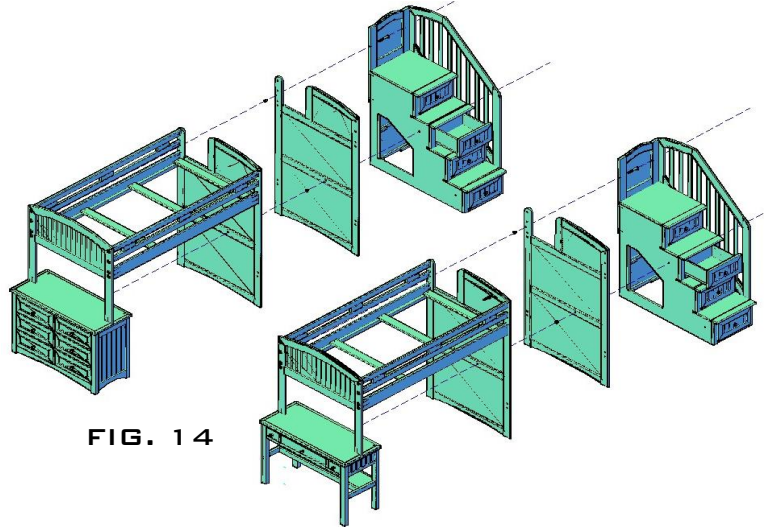


FIG. 14

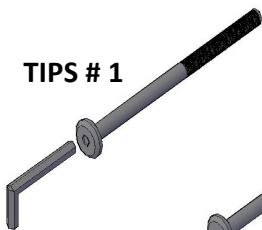
TWIN/FULL BED ASSEMBLY

- 1.- ASSEMBLE BED, USING ONE HEADBOARD (V), ONE FOOTBOARD (V) AND TWO SIDE RAILS (M).
- 2.- INSERT TWO CROSS DOWELS (P) IN ACCESS HOLE INSIDE THE SIDE RAIL, ALIGN THE CROSS DOWEL NUT, MAKE SURE THE GROOVE IS HORIZONTAL, SEE FIG.9
- 3.- ATTACH TWO SIDE RAILS (M), TO HEADBOARD (U) & FOOTBOARD (V), INSERTING TWO 80MM FLAT HEAD BOLTS (O) INTO TO HEADBOARD & FOOTBOARD HOLES, USE THE 5MM ALLEN WRENCH (K) TO TIGHTEN BOTH FLAT HEAD BOLTS (**DO NOT TIGHTEN COMPLETELY UNTIL ALL PIECES ARE CONNECTED TOGETHER**), REPEAT THE SAME PROCESS AT ALL FOUR CORNERS, SEE FIG.15
- 4.- PLACE FOUR SLATS (S) ON TOP SIDE RAIL CLEATS, ONE SLAT IN BOTH HEADBOARD&FOOTBOARD ENDS, PUSH THE SLATS AGAINST THE BED END POST (FIG.A) AND TWO SLATS IN THE MIDDLE AT EQUAL DISTANCE FROM THE END SLATS, THEN EACH SLAT MUST BE FASTEN WITH ONE 1 1/4" SCREW (T), SEE FIG.15 (**USE ONE 4 PCS SLAT PACK FOR 98-707 (98-645)) AND (USE ONE 4PCS SLAT PACK FOR 98-709 (98-646))**)
- 5.- PLACE IT UNDER THE STEP BUNK BED, AS SHOWN IN **CONFIGURATION # 2**

TIPS : SEE ILLUSTRATION BELOW

- 1.- USE THE LONG END OF THE ALLEN WRENCH TO FASTEN BOLTS LOOSELY AND QUICKLY.
- 2.- USE THE SHORT END OF THE ALLEN WRENCH FOR FINAL TIGHTENING.

TIPS # 1



TIPS # 2

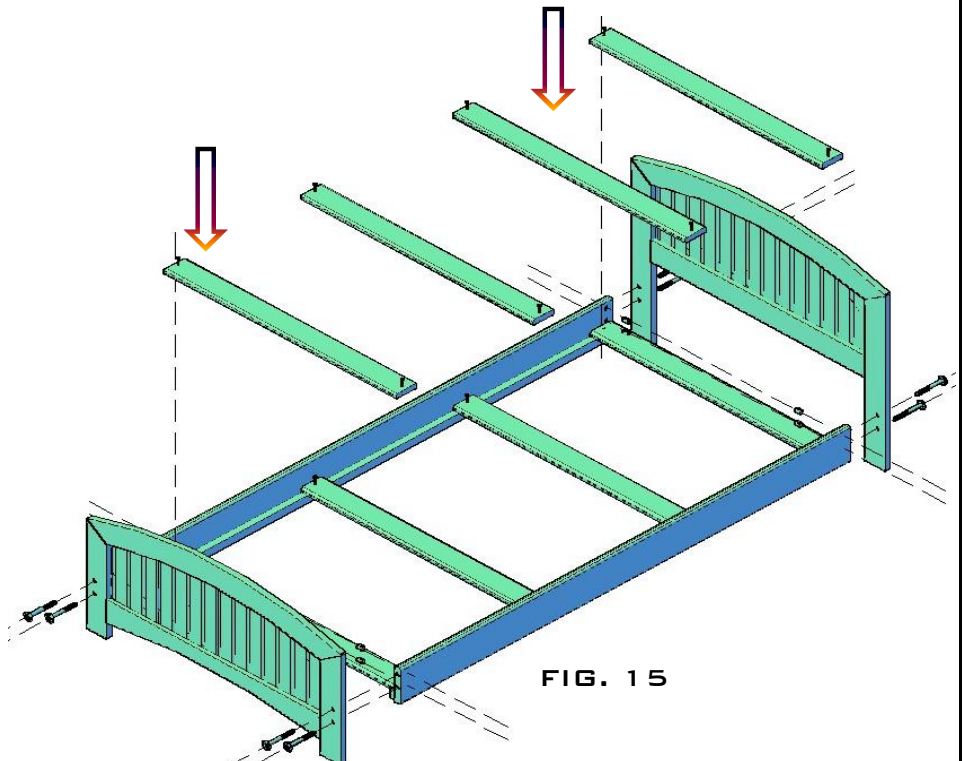


FIG. 15

SAFETY WARNINGS

- 1.- FOLLOW THE INFORMATION ON THE WARNINGS APPEARING ON THE UPPER BUNK END STRUCTURE AND ON THE CARTON. DO NOT REMOVE WARNING LABEL FROM BED.
- 2.- ALWAYS USE THE RECOMMENDED SIZE MATTRESS OR MATTRESS SUPPORT, OR BOTH TO HELP PREVENT THE LIKELIHOOD OF ENTRAPMENT OR FALLS.
- 3.- SURFACE OF MATTRESS MUST BE AT LEAST 5 IN BELOW THE UPPER EDGE OF GUARDRAILS.
- 4.- DO NOT ALLOW CHILDREN UNDER 6 YEARS OF AGE TO USE THE UPPER BUNK.
- 5.- PROHIBIT MORE THAN ONE PERSON ON UPPER BUNK.
- 6.- PERIODICALLY CHECK AND ENSURE THAT THE GUARDRAIL, LADDER AND OTHER COMPONENTS ARE IN THEIR PROPER POSITION, **FREE FROM DAMAGE**, AND THAT ALL CONNECTORS ARE TIGHT.
- 7.- DO NOT ALLOW HORSEPLAY ON OR UNDER THE BED AND PROHIBIT JUMPING ON THE BED.
- 8.- ALWAYS USE THE LADDER FOR ENTERING AND LEAVING THE UPPER BUNK.
- 9.- DO NOT USE SUBSTITUTE PARTS. CONTACT THE MANUFACTURER OR DEALER FOR REPLACEMENT PARTS.
- 10.- USE OF A NIGHT LIGHT MAY PROVIDE ADDED SAFETY PRECAUTION FOR A CHILD USING THE UPPER BUNK.
- 11 - IF THE BUNK BED WILL BE PLACED NEXT TO THE WALL THE GUARDRAIL THAT RUNS THE FULL LENGTH OF THE BED SHOULD BE PLACED AGAINST THE WALL TO PREVENT,ENTRAPMENT BETWEEN THE BED AND THE WALL.
- 12.- ALWAYS USE GUARDRAILS ON BOTH LONG SIDES OF THE UPPER BUNK.
- 13.- THE USE OF WATER OR SLEEP FLOTATION MATTRESSES IS PROHIBITED.
- 14.- **STRANGULATION HAZARD.**NEVER ATTACH OR HANG ITEMS TO ANY PART OF THE BUNK BED THAT ARE NOT DESIGNED FOR USE WITH THE BED, FOR EXAMPLE, BUT NOT LIMITED TO HOOKS, BELTS AND JUMP ROPES.
- 15.- KEEP THESE INSTRUCTIONS FOR FUTURE REFERENCE.

SIZE OF MATTRESS AND FOUNDATION

THE UPPER AND LOWER BUNK BED IS DESIGNED TO USE ONLY MATTRESS WHICH IS 74" TO 75" LONG AND 37 1/2" TO 38 1/2" WIDE FOR **TWIN BED**.

THE UPPER AND LOWER BUNK BED IS DESIGNED TO USE ONLY MATTRESS WHICH IS 74" TO 75" LONG AND 57 1/2" TO 58 1/2" WIDE FOR **FULL BED**.

THE BUNKIE BOARD IS REQUIRED TO 37 1/2" WIDE X 74" LONG FOR **TWIN BED** AND 57 1/2" WIDE X 74" LONG FOR **FULL BED**.

NOTE: ENSURE THICKNESS OF MATTRESS AND FOUNDATION COMBINED DOES NOT EXCEED 8 1/2" AND MATTRESS IS AT LEAST 5" BELOW UPPER EDGE OF GUARDRAILS.

REPLACEMENT PARTS

REPLACEMENT PARTS, INCLUDING ADDITIONAL GUARDRAILS, MAY BE OBTAINED FROM ANY OF OUR CANYON FURNITURE COMPANY DEALERS.

(98-706) COTTAGE COLORS COLLECTION BUNK BED ASSEMBLY INSTRUCTIONS

THANK YOU FOR YOUR PURCHASE !

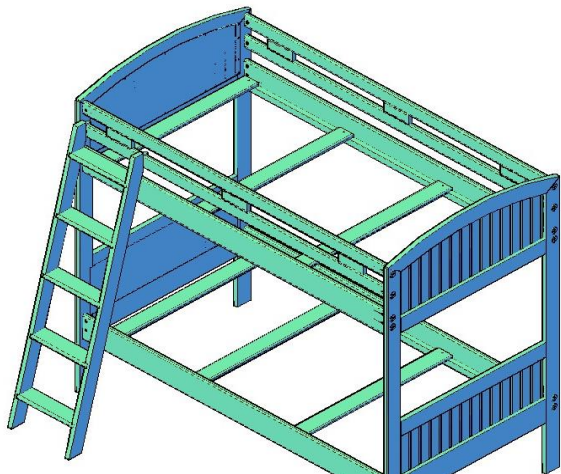
PLEASE CONTACT YOUR RETAIL STORE WITH SERVICE OR PARTS REPLACEMENT REQUEST

READ ALL THE INSTRUCTIONS AND IDENTIFY ALL COMPONENTS AND CHOOSE YOUR CONFIGURATION AND BE SURE YOU HAVE ALL PARTS

TWO PEOPLE ARE NEEDED TO ASSEMBLE.

DO NOT COMPLETELY TIGHTEN ALL BOLTS UNTIL ALL COMPONENTS ARE CONNECTED.

CONFIGURATION TYPE # 1

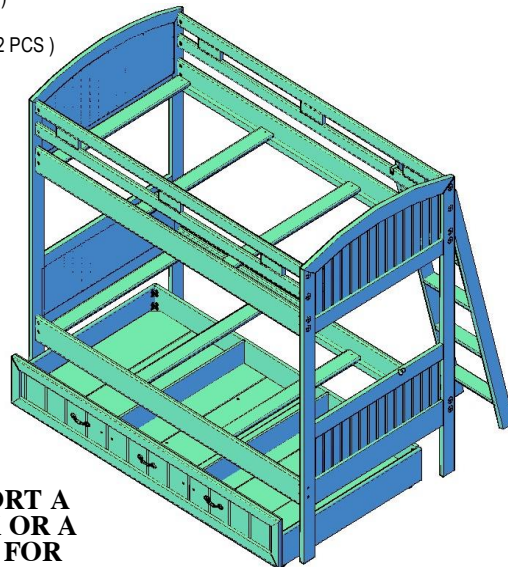


- 98-706 BUNK BED END (2 PCS)
- 98-730 6 PCS SIDE RAILS
- 98-645 4 PCS SLAT PACK 3/3 (2 PCS)
- 98-720 LADDER

- 98-706 BUNK BED END (2 PCS)
- 98-730 6 PCS SIDE RAILS
- 98-645 4 PCS SLAT PACK 3/3 (2 PCS)
- 98-720 LADDER

OPTIONAL

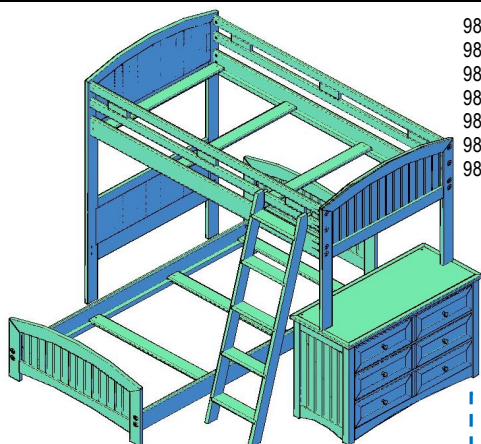
- 98-744 TRUNDLE BED



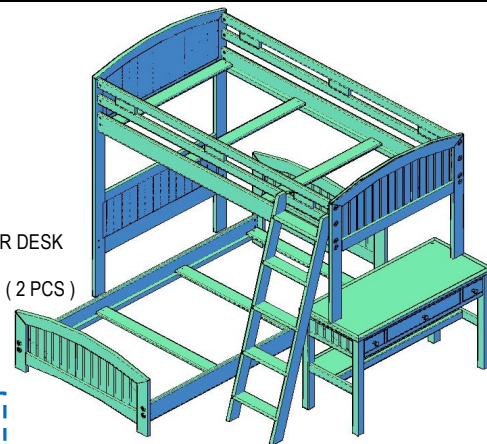
WARNING:
THE BED SLATS WILL NO SUPPORT A MATTRESS ALONE, A SLAT PACK OR A BUNKIE BOARD IS REQUIRED FOR PROPER SAFETY.
(NOT INCLUDED)

TO ASSEMBLE THIS BUNK BED REQUIRES TWO PERSONS

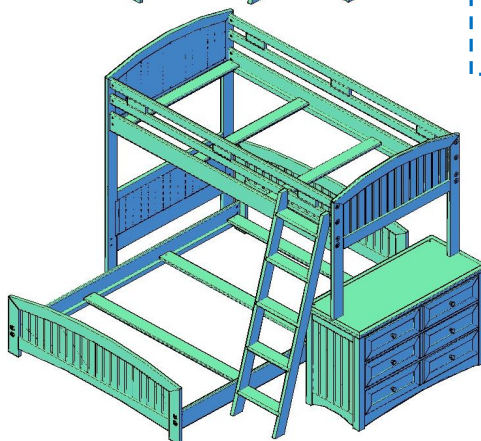
CONFIGURATION TYPE # 2



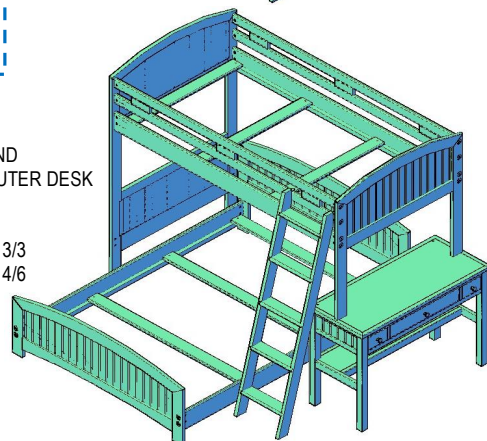
- 98-706 BUNK BED END
- 98-705 BUNK BED TOP END
- 98-208 6 DRAWER DRESSER
- 98-730 6 PCS SIDE RAILS
- 98-707 TWIN BED
- 98-645 4 PCS SLAT PACK 3/3 (2 PCS)
- 98-720 LADDER



- 98-706 BUNK BED END
- 98-705 BUNK BED TOP END
- 98-602 3 DRAWER COMPUTER DESK
- 98-730 6 PCS SIDE RAILS
- 98-645 4 PCS SLAT PACK 3/3 (2 PCS)
- 98-707 TWIN BED
- 98-720 LADDER



- 98-706 BUNK BED END
- 98-705 BUNK BED TOP END
- 98-208 6 DRAWER DRESSER
- 98-730 6 PCS SIDE RAILS
- 98-709 FULL BED
- 98-645 4 PCS SLAT PACK 3/3
- 98-646 4 PCS SLAT PACK 4/6
- 98-720 LADDER



- 98-706 BUNK BED END
- 98-705 BUNK BED TOP END
- 98-602 3 DRAWER COMPUTER DESK
- 98-730 6 PCS SIDE RAILS
- 98-709 FULL BED
- 98-645 4 PCS SLAT PACK 3/3
- 98-646 4 PCS SLAT PACK 4/6
- 98-720 LADDER

TOOLS NEEDED

- PHILIPS HEADSCREWDRIVER (NOT INCLUDED)
- 5MM ALLEN WRENCH (INCLUDED)

TWIN BUNK BED ASSEMBLY INSTRUCTIONS CONFIGURATION TYPE # 1

LIST OF CONTENTS
COTTAGE COLORS COLLECTION

BUNK BED END BOX (98-706) FIG.1 (2 PCS)

A.- (1) HEADBOARD

6 PCS SIDE RAILS BOX (98-730) FIG.2

B.- (4) SIDE RAILS

C.-(2) GUARD RAILS

HARDWARE PACK (HPK00104)

D.- (24) 80MM FLAT HEAD BOLTS

E.- (24) 5/8" CROSS DOWEL NUTS

F.- (1) 5MM ALLEN WRENCH

4 PCS SLAT PACK BOX (98-645) FIG.3 (2 PCS)

G.- (4) SLATS

HARDWARE PACK (HPK00016)

H.- (8) 1 1/4" SCREWS

LADDER BOX (98-720) FIG.4

I.- (1) LADDER

HARDWARE PACK (HPK00008)

J.- (2) METAL HOOK BRACKETS

K.- (6) 1" SCREWS

TRUNDLE BED STORAGE BOX (98-744) FIG.5

L.- (1) TRUNDLE BED

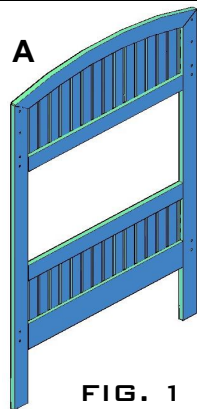


FIG. 1

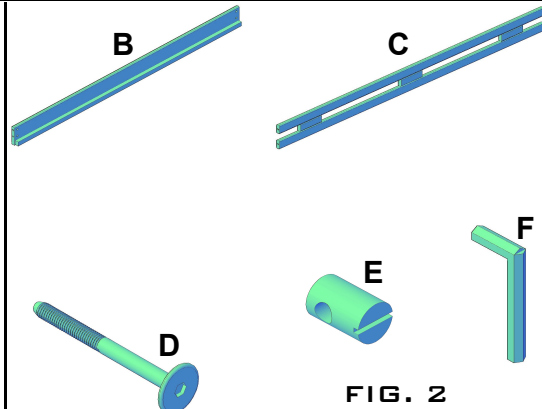


FIG. 2

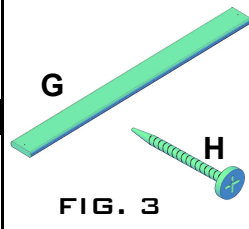


FIG. 3

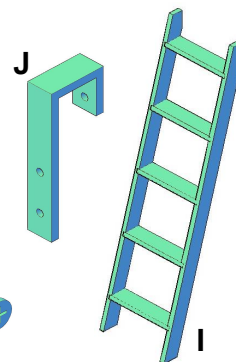


FIG. 4

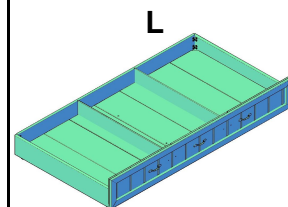
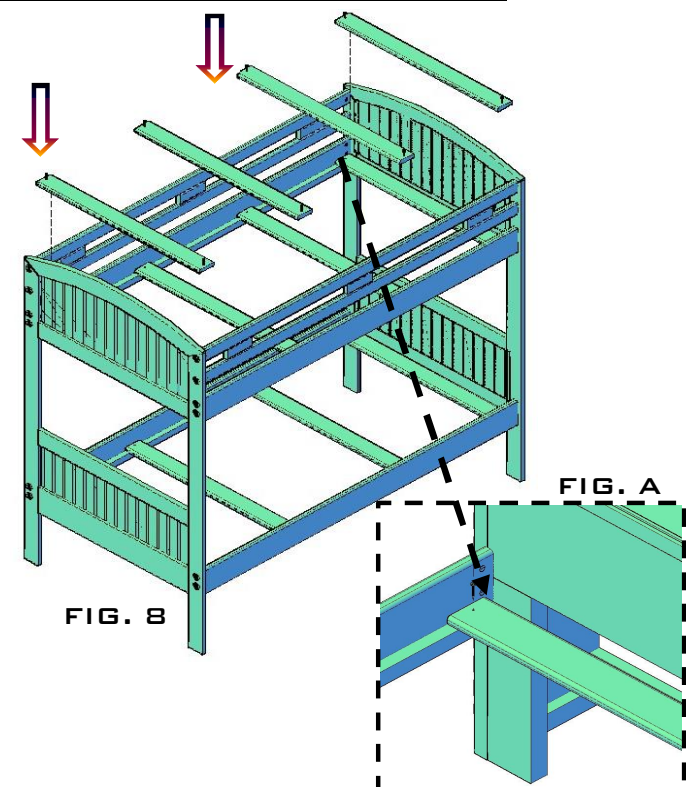
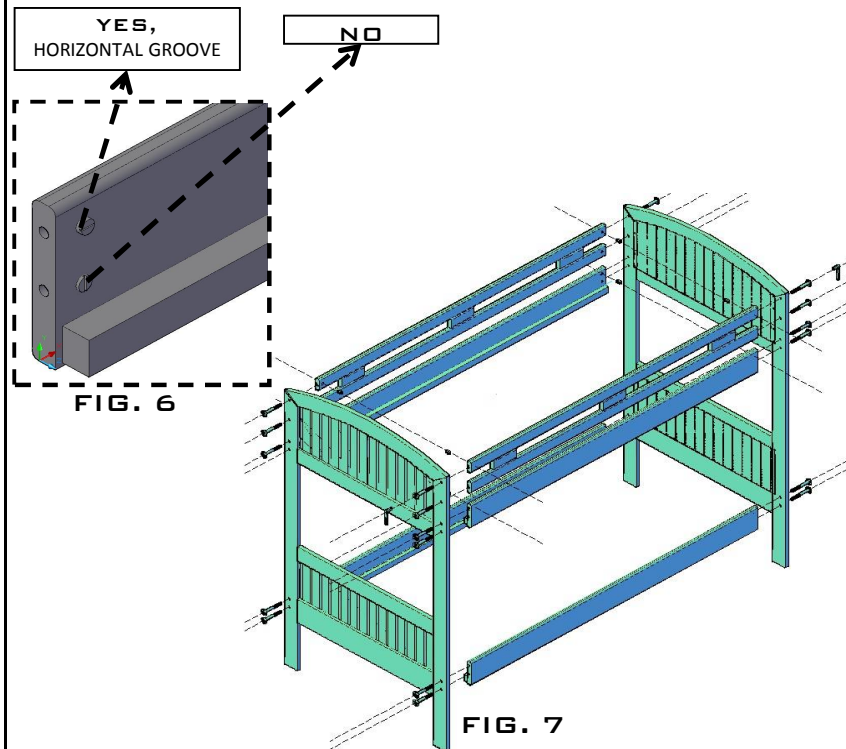


FIG. 5

TWIN BUNK BED ASSEMBLY (USE TWO 4 PCS SLAT PACK 98-645)

- 1.- TO ASSEMBLE TWIN OVER TWIN BUNK BED, USING TWO HEADBOARDS (A), FOUR SIDE RAILS (B), AND TWO GUARD RAILS (C).
- 2.- INSERT TWO CROSS DOWELS (E) IN ACCESS HOLE INSIDE THE SIDE RAIL&GUARD RAIL, ALIGN THE CROSS DOWEL NUT, MAKE SURE THE GROOVE IS HORIZONTAL, SEE FIG.6
- 3.- ATTACH TWO SIDE RAILS (B), AND TWO GUARD RAILS (C) ON TOP HEADBOARDS WITH THE GROVE LINES AS SHOWN IN FIG.7, INSERTING TWO 80MM FLAT HEAD BOLTS (D) INTO TOP HEADBOARD HOLES,USE 5MM ALLEN WRENCH (F) TO TIGHTEN BOTH FLAT HEAD BOLTS (**DO NOT TIGHTEN COMPLETELY UNTIL ALL PIECES ARE CONNECTED TOGETHER**) SEE FIG.7, REPEAT THE SAME PROCESS AT ALL FOUR CORNERS.
- 4.- TO ATTACH BOTTOM SIDE RAILS, USE THE SAME PROCESS AS SHOWN IN TOP SIDE RAILS, USING TWO SIDE RAILS TO HEADBOARD BOTTOM HOLES, SEE FIG.7
- 5.- PLACE FOUR SLATS (G) ON TOP & BOTTOM SIDE RAIL CLEATS, ONE SLAT IN BOTH HEADBOARD ENDS, PUSH THE SLATS AGAINST THE BED END POST (FIG. A) AND TWO SLATS IN THE MIDDLE AT EQUAL DISTANCE FROM THE END SLATS, THEN EACH SLAT MUST BE FASTEN WITH ONE 1 1/4" SCREW (H), SEE FIG.8 (**USE TWO 4 PCS SLAT PACK (98-645) AS SHOWN IN CONFIGURATION #1**)
- 6.- SLIDE TRUNDLE BED (L) UNDER BOTTOM SIDE RAILS, **AS SHOWN IN CONFIGURATION #1**



TWIN BUNK BED ASSEMBLY INSTRUCTIONS CONFIGURATION TYPE # 2

LIST OF CONTENTS
COTTAGE COLORS COLLECTION

BUNK BED END BOX (98-706) FIG.1

A- (1) HEADBOARD

BUNK BED TOP END BOX (98-705) FIG.2

B.- (1) TOP BUNK BED

HARDWARE PACK (HPK00012)

C.- (2) METAL DOWEL PINS

6 DRAWER DRESSER BOX (98-208) FIG.3

D.- (1) 6 DRAWER DRESSER

3 DRAWER COMPUTER DESK BOX (98-602) FIG.3

E.- (1) 3 DRAWER COMPUTER DESK

6 PCS SIDE RAILS BOX (98-730) FIG.4

F.- (4) SIDE RAILS

G.- (2) GUARD RAILS

HARDWARE PACK (HPK00104)

H.- (24) 80MM FLAT HEAD BOLTS

I.- (24) 5/8" CROSS DOWEL NUTS

J.- (1) 5MM ALLEN WRENCH

4 PCS SLAT PACK BOX (98-645,98-646) FIG.5

K.- (4) SLATS

HARDWARE PACK (HPK00016)

L.- (8) 1 1/4" SCREWS

TWIN/FULL BED BOX (98-707,98-709) FIG.6

M.- (1) HEADBOARD

N.- (1) FOOTBOARD

LADDER BOX (98-720) FIG.7

O.- (1) LADDER

HARDWARE PACK (HPK00008)

P.- (2) METAL HOOK BRACKETS

Q.- (6) 1" SCREWS

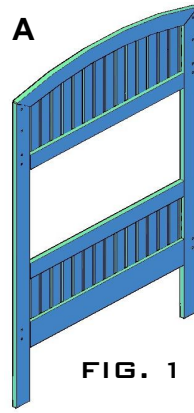
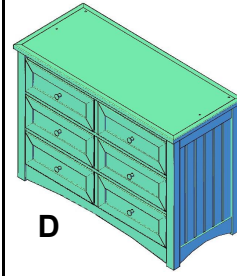
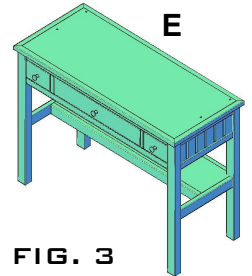


FIG. 1



D



E

FIG. 3

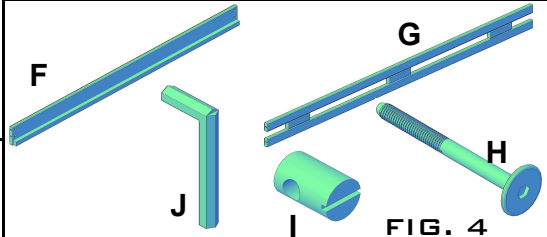


FIG. 4

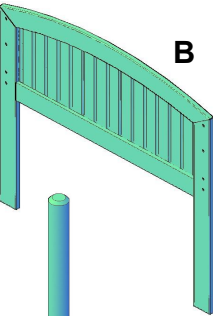


FIG. 2

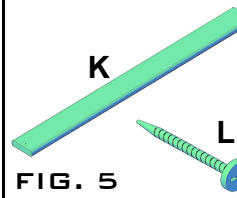
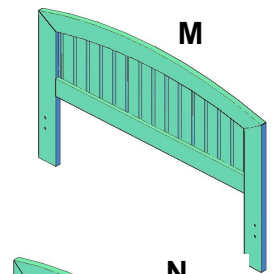


FIG. 5



N

FIG. 6

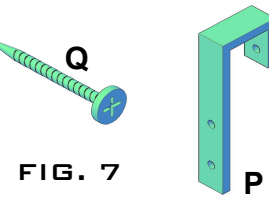
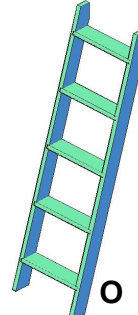


FIG. 7



O

- 1.- TO ASSEMBLE TWIN BUNK BED, USING ONE HEADBOARD (A), ONE TOP BUNK BED (B), TWO SIDE RAILS (F), TWO GUARD RAILS (G), ONE 6 DRAWER DRESSER (D) OR ONE 3 DRAWER COMPUTER DESK (E)
- 2.- REMOVE FACTORY INSTALLED PLASTIC PLUGS FROM THE TOP OF DRESSER OR THE TOP OF THE DESK , THEN INSERT ONE METAL DOWEL PIN (C) IN EACH HOLE OF THE TOP, TAKE THE TOP BUNK BED END (B) PLACE IT ON TOP OF THE DRESSER OR DESK WITH THE GROVE LINES FACING LIKE FIG.8, ALIGNING THE METAL DOWEL PINS WITH THE BOTTOM HOLES OF TOP BUNK BED END UNTIL ARE ALL THE WAY IN, SEE FIG.8
- 3.- INSERT TWO CROSS DOWELS (I) IN ACCESS HOLE INSIDE THE SIDE RAIL & GUARD RAIL, ALIGN THE CROSS DOWEL NUT, MAKE SURE THE GROOVE IS HORIZONTAL, SEE FIG.9
- 4.- ATTACH TWO SIDE RAILS (F),TWO GUARD RAILS (G) TO HEADBOARD (A)&TOP BUNK BED (B),INSERTING TWO 80MM FLAT HEAD BOLTS (H) INTO HEADBOARD&TOP BUNK BED HOLES.USE THE 5MM ALLEN WRENCH (j) TO TIGHTEN BOTH FLAT HEAD BOLTS (**DO NOT TIGHTEN COMPLETELY UNTIL ALL PIECES ARE CONNECTED TOGETHER**),REPEAT THE SAME PROCESS AT ALL FOUR CORNERS, SEE FIG.10
- 5.- PLACE 4 SLATS (K) ON TOP SIDE RAIL CLEATS, ONE SLAT IN BOTH HEADBOARD&TOP BUNK BED ENDS, PUSH THE SLATS AGAINST THE BED END POST (FIG.A) AND TWO SLATS IN THE MIDDLE AT EQUAL DISTANCE FROM THE END SLATS, THEN EACH SLAT MUST BE FASTEN WITH ONE 1 1/4" SCREW (L), SEE FIG.11 (**USE ONE 4 PCS SLAT PACK (98-645)**)

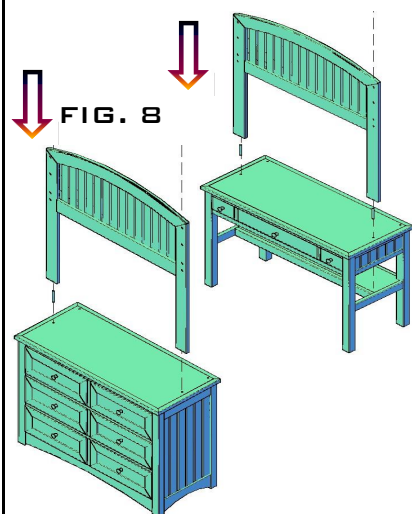


FIG. 8

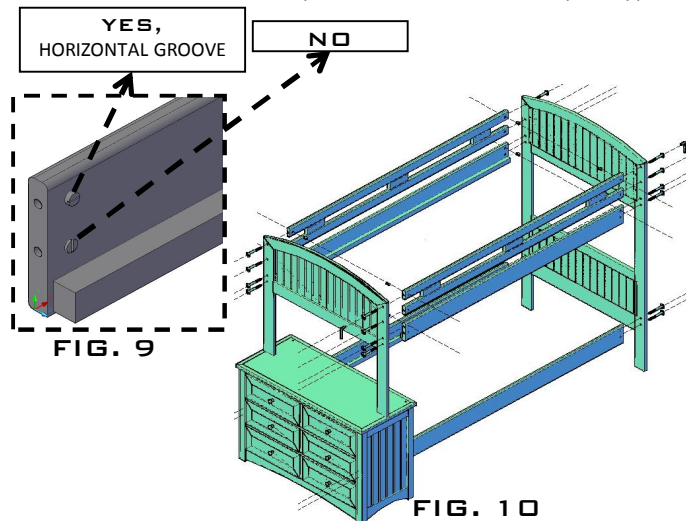


FIG. 9

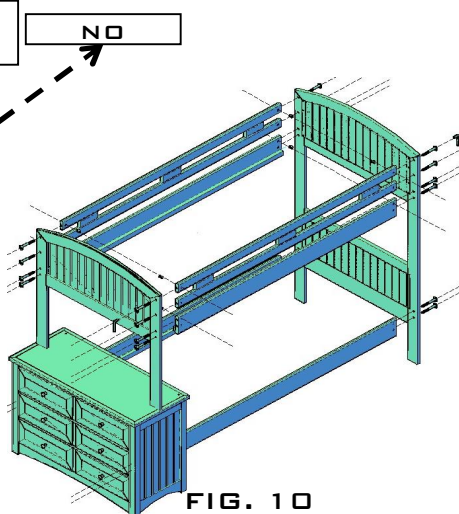


FIG. 10

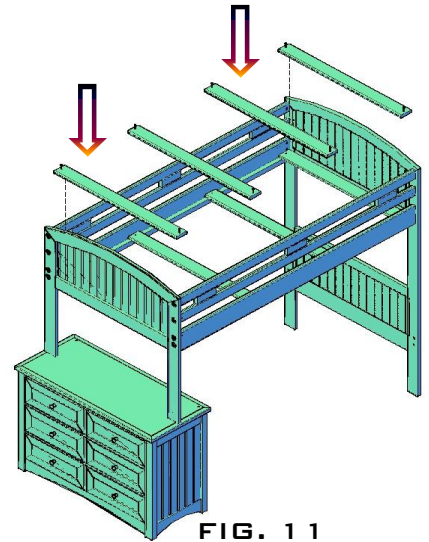


FIG. 11

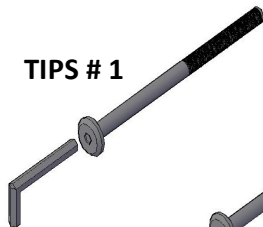
TWIN/FULL BED ASSEMBLY

- 1.- ASSEMBLE BED, USING ONE HEADBOARD (M), ONE FOOTBOARD (N) AND TWO SIDE RAILS (F).
- 2.- INSERT TWO CROSS DOWELS (I) IN ACCESS HOLE INSIDE THE SIDE RAIL, ALIGN THE CROSS DOWEL NUT, MAKE SURE THE GROOVE IS HORIZONTAL, SEE FIG.9
- 3.- ATTACH TWO SIDE RAILS (F), TO HEADBOARD (M) & FOOTBOARD (N), INSERTING TWO 80MM FLAT HEAD BOLTS (H) INTO TO HEADBOARD&FOOTBOARD HOLES, USE THE 5MM ALLEN WRENCH (J) TO TIGHTEN BOTH FLAT HEAD BOLTS (**DO NOT TIGHTEN COMPLETELY UNTIL ALL PIECES ARE CONNECTED TOGETHER**), REPEAT THE SAME PROCESS AT ALL FOUR CORNERS, SEE FIG.12
- 4.- PLACE 4 SLATS (K) ON TOP SIDE RAIL CLEATS, ONE SLAT IN BOTH HEADBOARD & FOOTBOARD ENDS, PUSH THE SLATS AGAINST THE BED END POST (FIG. A) AND TWO SLATS IN THE MIDDLE AT EQUAL DISTANCE FROM THE END SLATS, THEN EACH SLAT MUST BE FASTEN WITH ONE 1 1/4" SCREW (L), SEE FIG.12 (**USE ONE 4 PCS SLAT PACK FOR 98-707 (98-645)**) AND (**USE ONE 4PCS SLAT PACK FOR 98-709 (98-646)**).
- 5.- PLACE IT UNDER THE STEP BUNK BED, AS SHOWN IN **CONFIGURATION # 2**

TIPS : SEE ILLUSTRATION BELOW

- 1.- USE THE LONG END OF THE ALLEN WRENCH TO FASTEN BOLTS LOOSELY AND QUICKLY.
- 2.- USE THE SHORT END OF THE ALLEN WRENCH FOR FINAL TIGHTENING.

TIPS # 1



TIPS # 2

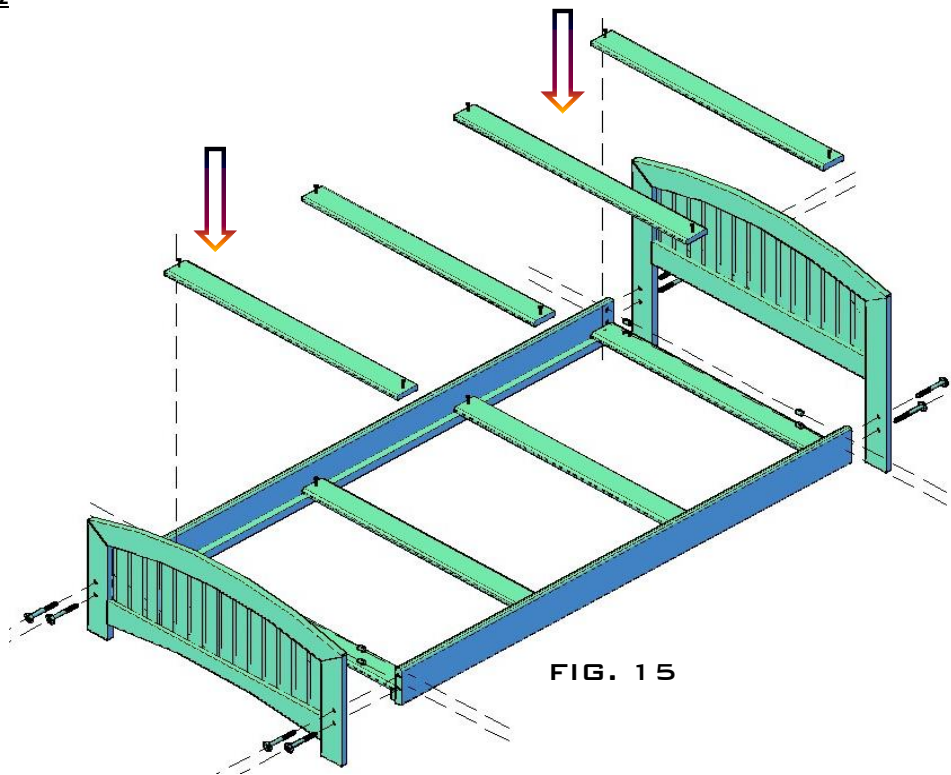
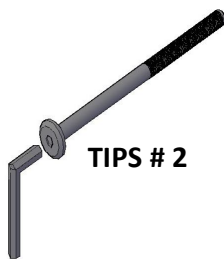


FIG. 15

LADDER ASSEMBLY

- 1.- ALIGN THE PRE - DRILLED HOLES IN LONG PART OF METAL HOOKS BRACKETS (P) WITH THE PRE - DRILLED HOLES IN THE LADDER (O), THEN SECURE WITH 1" SCREWS (Q) USING PHILLIPS HEAD SCREWDRIVER (**NOT INCLUDED**), SEE FIG. B, AND HOOK THE LADDER IN THE PROPER POSITION, ADJUST AND ALIGN THE PRE - DRILLED HOLES IN THE SHORT PART OF METAL HOOKS ON TOP SIDE RAIL, THEN SECURE THE LADDER, AS SHOWN IN **CONFIGURATION # 1** AND **CONFIGURATION # 2**

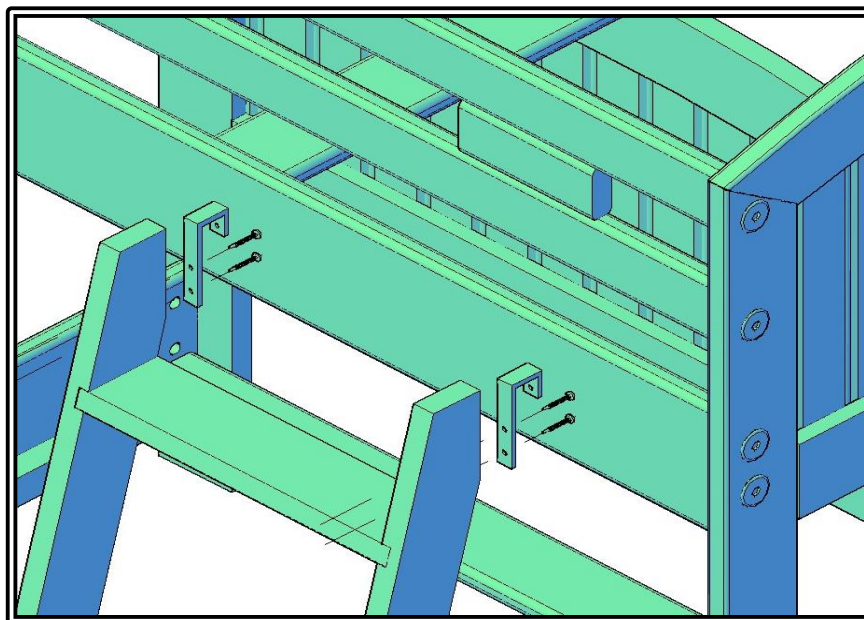


FIG. B

SAFETY WARNINGS

- 1.- FOLLOW THE INFORMATION ON THE WARNINGS APPEARING ON THE UPPER BUNK END STRUCTURE AND ON THE CARTON. DO NOT REMOVE WARNING LABEL FROM BED.
- 2.- ALWAYS USE THE RECOMMENDED SIZE MATTRESS OR MATTRESS SUPPORT, OR BOTH TO HELP PREVENT THE LIKELIHOOD OF ENTRAPMENT OR FALLS.
- 3.- SURFACE OF MATTRESS MUST BE AT LEAST 5 IN BELOW THE UPPER EDGE OF GUARDRAILS.
- 4.- DO NOT ALLOW CHILDREN UNDER 6 YEARS OF AGE TO USE THE UPPER BUNK.
- 5.- PROHIBIT MORE THAN ONE PERSON ON UPPER BUNK.
- 6.- PERIODICALLY CHECK AND ENSURE THAT THE GUARDRAIL, LADDER AND OTHER COMPONENTS ARE IN THEIR PROPER POSITION, **FREE FROM DAMAGE**, AND THAT ALL CONNECTORS ARE TIGHT.
- 7.- DO NOT ALLOW HORSEPLAY ON OR UNDER THE BED AND PROHIBIT JUMPING ON THE BED.
- 8.- ALWAYS USE THE LADDER FOR ENTERING AND LEAVING THE UPPER BUNK.
- 9.- DO NOT USE SUBSTITUTE PARTS. CONTACT THE MANUFACTURER OR DEALER FOR REPLACEMENT PARTS.
- 10.- USE OF A NIGHT LIGHT MAY PROVIDE ADDED SAFETY PRECAUTION FOR A CHILD USING THE UPPER BUNK.
- 11 - IF THE BUNK BED WILL BE PLACED NEXT TO THE WALL THE GUARDRAIL THAT RUNS THE FULL LENGTH OF THE BED SHOULD BE PLACED AGAINST THE WALL TO PREVENT,ENTRAPMENT BETWEEN THE BED AND THE WALL.
- 12.- ALWAYS USE GUARDRAILS ON BOTH LONG SIDES OF THE UPPER BUNK.
- 13.- THE USE OF WATER OR SLEEP FLOTATION MATTRESSES IS PROHIBITED.
- 14.- **STRANGULATION HAZARD.**NEVER ATTACH OR HANG ITEMS TO ANY PART OF THE BUNK BED THAT ARE NOT DESIGNED FOR USE WITH THE BED, FOR EXAMPLE, BUT NOT LIMITED TO HOOKS, BELTS AND JUMP ROPES.
- 15.- KEEP THESE INSTRUCTIONS FOR FUTURE REFERENCE.

SIZE OF MATTRESS AND FOUNDATION

THE UPPER AND LOWER BUNK BED IS DESIGNED TO USE ONLY MATTRESS WHICH IS 74" TO 75" LONG AND 37 1/2" TO 38 1/2" WIDE FOR **TWIN BED**.

THE UPPER AND LOWER BUNK BED IS DESIGNED TO USE ONLY MATTRESS WHICH IS 74" TO 75" LONG AND 57 1/2" TO 58 1/2" WIDE FOR **FULL BED**.

THE BUNKIE BOARD IS REQUIRED TO 37 1/2" WIDE X 74" LONG FOR **TWIN BED** AND 57 1/2" WIDE X 74" LONG FOR **FULL BED**.

NOTE: ENSURE THICKNESS OF MATTRESS AND FOUNDATION COMBINED DOES NOT EXCEED 8 1/2" AND MATTRESS IS AT LEAST 5" BELOW UPPER EDGE OF GUARDRAILS.

REPLACEMENT PARTS

REPLACEMENT PARTS, INCLUDING ADDITIONAL GUARDRAILS, MAY BE OBTAINED FROM ANY OF OUR CANYON FURNITURE COMPANY DEALERS.

(98-705) COTTAGE COLORS COLLECTION BUNK BED ASSEMBLY INSTRUCTIONS

LIST OF CONTENTS

COTTAGE COLORS COLLECTION

BUNK BED TOP END BOX (98-705) FIG.1 (2 BOXES)

A.- (1) TOP BUNK BED END

HARDWARE PACK (HPK00012)

B.- (2) METAL DOWEL PINS

6 DRAWER DRESSER BOX (98-208) FIG.2

C.- (1) 6 DRAWER DRESSER

3 DRAWER COMPUTER DESK BOX (98-602) FIG.3

D.- (1) COMPUTER DESK

6 PCS SIDE RAILS BOX (98-730) FIG.4

E.- (4) SIDE RAILS

F.- (2) GUARD RAILS

HARDWARE PACK (HPK00104)

G.- (24) 80MM FLAT HEAD BOLTS

H.- (24) 5/8" CROSS DOWEL NUTS

I.- (1) 5MM ALLEN WRENCH

LADDER BOX (98-720) FIG.5

J.- (1) LADDER

HARDWARE PACK (HPK00008)

K.- (2) METAL HOOK BRACKETS

L.- (6) 1" SCREWS

TWIN/FULL BED BOX (98-707,98-709) FIG.6

M.- (1) HEADBOARD

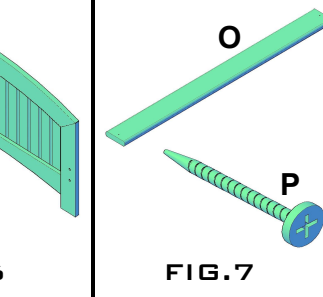
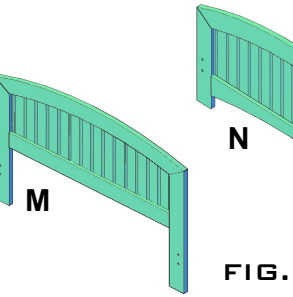
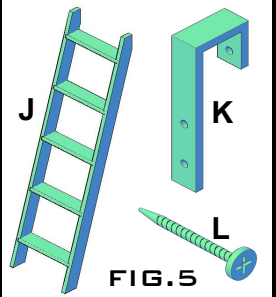
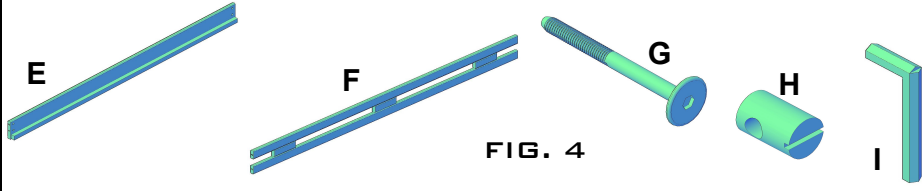
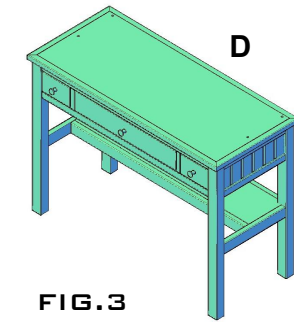
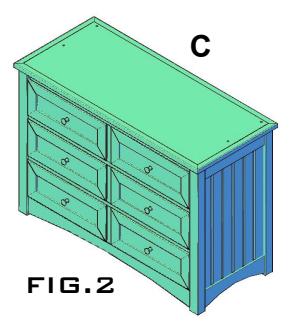
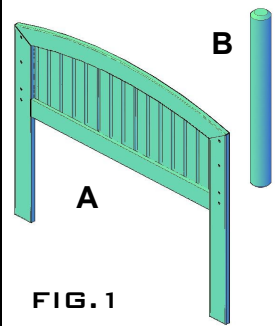
N.- (1) FOOTBOARD

4 PCS SLAT PACK BOX (98-645,98-646) FIG.7

O.- (4) SLATS

HARDWARE PACK (HPK00016)

P.- (8) 1 1/4" SCREWS



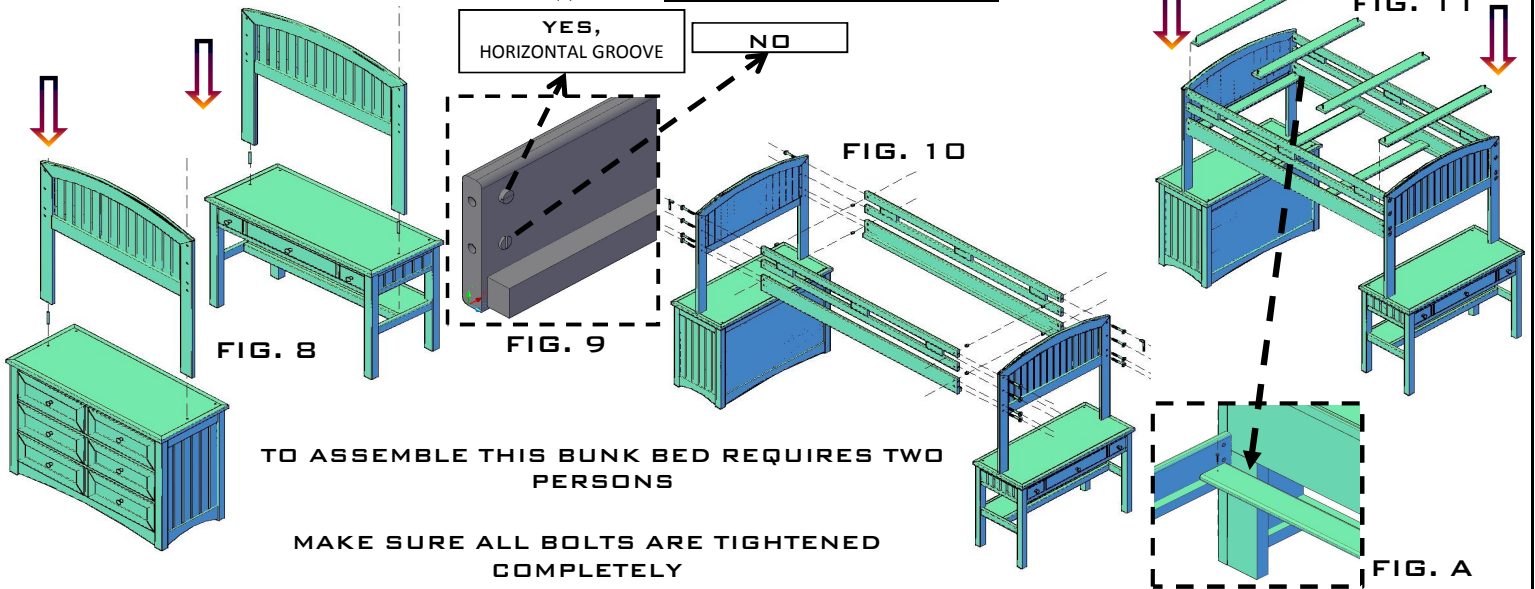
TOOLS NEEDED

PHILLIPS HEADSCREWDRIVER (NOT INCLUDED)
5MM ALLEN WRENCH (INCLUDED)

TIPS : SEE ILLUSTRATION BELOW

- 1.- USE THE LONG END OF THE ALLEN WRENCH (Q) TO FASTEN BOLTS LOOSELY AND QUICKLY.
- 2.- USE THE SHORT END OF THE ALLEN WRENCH FOR FINAL TIGHTENING **AS SHOWN IN FIG.C**

- 1.- TO ASSEMBLE THIS BUNK BED, USING TWO TOP BUNK BED ENDS (A), ONE 6 DRAWER DRESSER (C), ONE COMPUTER DESK (D), TWO SIDE RAILS (E) AND TWO GUARDRAILS (F).
- 2.- REMOVE FACTORY INSTALLED PLASTIC PLUGS FROM THE TOP OF DRESSER AND THE TOP OF THE DESK, THEN INSERT ONE METAL DOWEL PIN (B) IN EACH HOLE OF THE TOP, TAKE THE TOP BUNK BED END (A) PLACE IT ON TOP OF THE DRESSER & DESK WITH THE GROVE LINES FACING LIKE FIG.8, ALIGNING THE METAL DOWEL PINS WITH THE BOTTOM HOLES OF TOP BUNK BED END UNTIL ARE ALL THE WAY IN, SEE FIG.8
- 3.- INSERT TWO CROSS DOWELS (H) IN ACCESS HOLE INSIDE THE SIDE RAIL & GUARD RAIL, ALIGN THE CROSS DOWEL NUT, MAKE SURE THE GROOVE IS HORIZONTAL, SEE FIG.9
- 4.- ATTACH TWO SIDE RAILS (E), TWO GUARD RAILS (F) TO BOTH TOP BUNK BED ENDS (A), INSERTING TWO 80MM FLAT HEAD BOLTS (G) INTO TOP BUNK BED END HOLES, USE THE 5MM ALLEN WRENCH (I) TO TIGHTEN BOTH FLAT HEAD BOLTS (**DO NOT TIGHTEN COMPLETELY UNTIL ALL PIECES ARE CONNECTED TOGETHER**), REPEAT THE SAME PROCESS AT ALL FOUR CORNERS, SEE FIG.10
- 5.- PLACE FOUR SLATS (O) ON TOP SIDE RAIL CLEATS, ONE SLAT IN BOTH TOP BUNK BED ENDS, PUSH THE SLATS AGAINST THE BED END POST (FIG. A) AND TWO SLATS IN THE MIDDLE AT EQUAL DISTANCE FROM THE END SLATS, THEN EACH SLAT MUST BE FASTEN WITH ONE 1 1/4" SCREW (P), SEE FIG.11 (**USE ONE 4 PCS SLAT PACK (98-645)**)

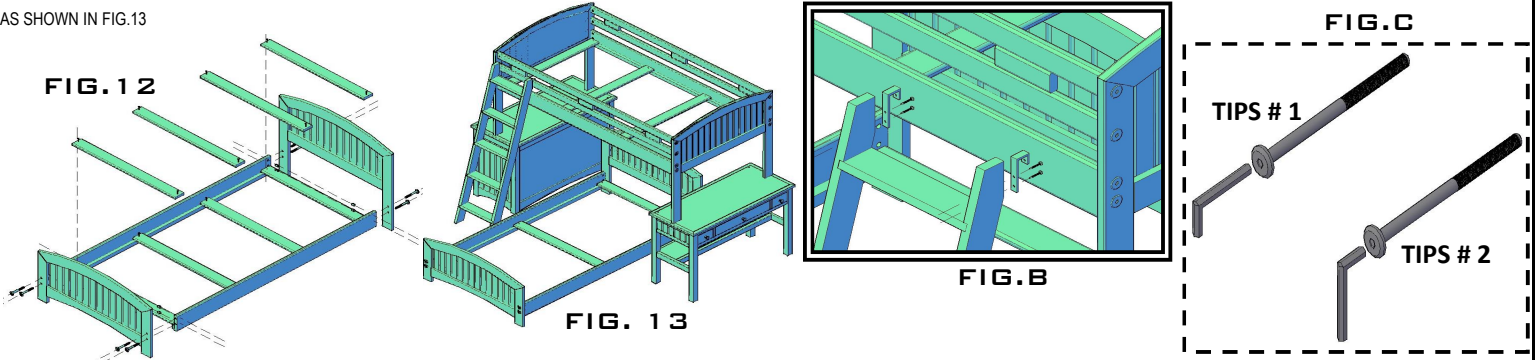


TO ASSEMBLE THIS BUNK BED REQUIRES TWO PERSONS
MAKE SURE ALL BOLTS ARE TIGHTENED COMPLETELY

CANYON FURNITURE COMPANY.

TWIN/FULL BED ASSEMBLY

- 1.- ASSEMBLE BED, USING ONE HEADBOARD (M), ONE FOOTBOARD (N) AND TWO SIDE RAILS (E).
- 2.- INSERT TWO CROSS DOWELS (H) IN ACCESS HOLE INSIDE THE SIDE RAIL, ALIGN THE CROSS DOWEL NUT, MAKE SURE THE GROOVE IS HORIZONTAL, SEE FIG.9
- 3.- ATTACH TWO SIDE RAILS (E), TO HEADBOARD (M)&FOOTBOARD (N), INSERTING TWO 80MM FLAT HEAD BOLTS (G) INTO TO HEADBOARD &FOOTBOARD HOLES, USE THE 5MM ALLEN WRENCH (I) TO TIGHTEN BOTH FLAT HEAD BOLTS (**DO NOT TIGHTEN COMPLETELY UNTIL ALL PIECES ARE CONNECTED TOGETHER**), REPEAT THE SAME PROCESS AT ALL FOUR CORNERS, SEE FIG.12
- 4.- PLACE 4 SLATS (O) ON TOP SIDE RAIL CLEATS, ONE SLAT IN BOTH HEADBOARD&FOOTBOARD ENDS, PUSH THE SLATS AGAINST THE BED END POST (FIG. A) AND TWO SLATS IN THE MIDDLE AT EQUAL DISTANCE FROM THE END SLATS, THEN EACH SLAT MUST BE FASTEN WITH ONE 1 1/4" SCREW (P), SEE FIG.12 (**USE ONE 4 PCS SLAT PACK FOR 98-707 (98-645)**) AND (**USE ONE 4PCS SLAT PACK FOR 98-709 (98-646)**)
- 5.- PLACE IT UNDER THE STEP BUNK BED, AS SHOWN IN FIG.13
- 6.- ALIGN THE PRE-DRILLED HOLES IN LONG PART OF METAL HOOKS BRACKETS (K) WITH THE PRE-DRILLED HOLES IN THE LADDER (J), THEN SECURE WITH 1" SCREWS (L) USING PHILLIPS HEADSCREWDRIVER (**NOT INCLUDED**), SEE FIG. B, AND HOOK THE LADDER IN THE PROPER POSITION, ADJUST AND ALIGN THE PRE - DRILLED HOLES IN THE SHORT PART OF METAL HOOKS ON TOP SIDE RAIL, THEN SECURE THE LADDER, AS SHOWN IN FIG.13



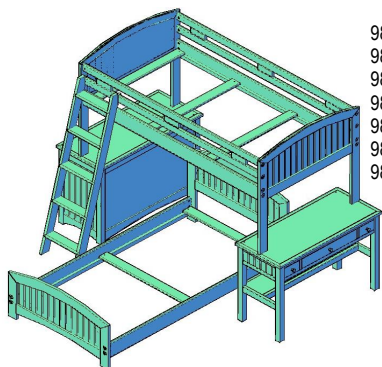
SAFETY WARNINGS

- 1.- FOLLOW THE INFORMATION ON THE WARNINGS APPEARING ON THE UPPER BUNK END STRUCTURE AND ON THE CARTON. DO NOT REMOVE WARNING LABEL FROM BED.
- 2.- ALWAYS USE THE RECOMMENDED SIZE MATTRESS OR MATTRESS SUPPORT, OR BOTH TO HELP PREVENT THE LIKELIHOOD OF ENTRAPMENT OR FALLS.
- 3.- SURFACE OF MATTRESS MUST BE AT LEAST 5 IN BELOW THE UPPER EDGE OF GUARDRAILS.
- 4.- DO NOT ALLOW CHILDREN UNDER 6 YEARS OF AGE TO USE THE UPPER BUNK.
- 5.- PROHIBIT MORE THAN ONE PERSON ON UPPER BUNK.
- 6.- PERIODICALLY CHECK AND ENSURE THAT THE GUARDRAIL, LADDER AND OTHER COMPONENTS ARE IN THEIR PROPER POSITION, FREE FROM DAMAGE, AND THAT ALL CONNECTORS ARE TIGHT.
- 7.- DO NOT ALLOW HORSEPLAY ON OR UNDER THE BED AND PROHIBIT JUMPING ON THE BED.
- 8.- ALWAYS USE THE LADDER FOR ENTERING AND LEAVING THE UPPER BUNK.
- 9.- DO NOT USE SUBSTITUTE PARTS. CONTACT THE MANUFACTURER OR DEALER FOR REPLACEMENT PARTS.
- 10.- USE OF A NIGHT LIGHT MAY PROVIDE ADDED SAFETY PRECAUTION FOR A CHILD USING THE UPPER BUNK.
- 11.- IF THE BUNK BED WILL BE PLACED NEXT TO THE WALL, THE GUARDRAIL THAT RUNS THE FULL LENGTH OF THE BED SHOULD BE PLACED AGAINST THE WALL TO PREVENT, ENTRAPMENT BETWEEN THE BED AND THE WALL.
- 12.- ALWAYS USE GUARDRAILS ON BOTH LONG SIDES OF THE UPPER BUNK.
- 13.- THE USE OF WATER OR SLEEP FLOTATION MATTRESSES IS PROHIBITED.
- 14.- **STRANGULATION HAZARD.** NEVER ATTACH OR HANG ITEMS TO ANY PART OF THE BUNK BED THAT ARE NOT DESIGNED FOR USE WITH THE BED, FOR EXAMPLE, BUT NOT LIMITED TO HOOKS, BELTS AND JUMP ROPES.
- 15.- KEEP THESE INSTRUCTIONS FOR FUTURE REFERENCE.

SIZE OF MATTRESS AND FOUNDATION

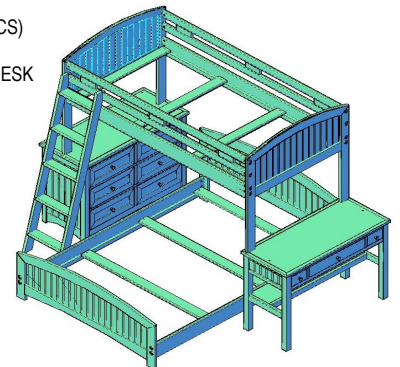
THE UPPER AND LOWER BUNK BED IS DESIGNED TO USE ONLY MATTRESS WHICH IS 74" TO 75" LONG AND 37 1/2" TO 38 1/2" WIDE FOR **TWIN BED**.
 THE UPPER AND LOWER BUNK BED IS DESIGNED TO USE ONLY MATTRESS WHICH IS 74" TO 75" LONG AND 57 1/2" TO 58 1/2" WIDE FOR **FULL BED**.
 THE BUNKIE BOARD IS REQUIRED TO 37 1/2" WIDE X 74" LONG FOR **TWIN BED** AND 57 1/2" WIDE X 74" LONG FOR **FULL BED**.

NOTE: ENSURE THICKNESS OF MATTRESS AND FOUNDATION COMBINED DOES NOT EXCEED 8 1/2" AND MATTRESS IS AT LEAST 5" BELOW UPPER EDGE OF GUARDRAILS.



- 98-705 TOP BUNK BED END (2 PCS)
- 98-208 6 DRAWER DRESSER
- 98-602 3 DRAWRE COMPUTER DESK
- 98-730 6 PCS SIDE RAILS
- 98-720 LADDER
- 98-707 TWIN BED
- 98-645 4 PCS SLAT PACK 3/3 (2 PCS)

- 98-705 TOP BUNK BED END (2 PCS)
- 98-208 6 DRAWER DRESSER
- 98-602 3 DRAWRE COMPUTER DESK
- 98-730 6 PCS SIDE RAILS
- 98-720 LADDER
- 98-709 FULL BED
- 98-645 4 PCS SLAT PACK 3/3
- 98-646 4 PCS SLAT PACK 4/6



WARNING:
 THE BED SLATS WILL NO SUPPORT A MATTRESS ALONE, A SLAT PACK OR A BUNKIE BOARD IS REQUIRED FOR PROPER SAFETY.

(NOT INCLUDED)

REPLACEMENT PARTS, INCLUDING ADDITIONAL GUARDRAILS, MAY BE OBTAINED FROM ANY OF OUR CANYON FURNITURE COMPANY DEALERS