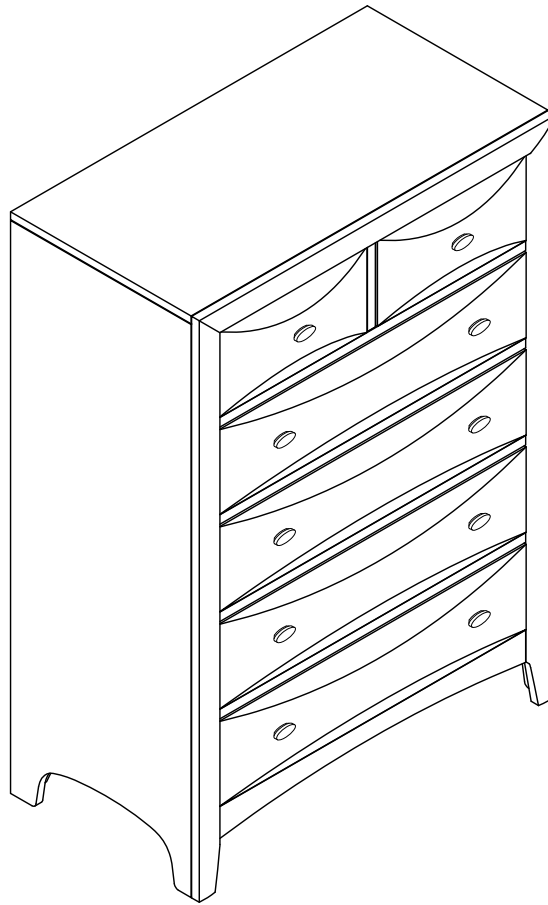




ROOMS TO GO 
KIDS

Manufactured for Rooms To Go Kids

IVY LEAGUE 2.0
CHEST



RTG SKU	STYLE#	FINISH	ITEM DESCRIPTION
34332611	3261-08	WHITE	CHEST
34332623	3260-08	WALNUT	CHEST

Parts list		Q'ty	Step	Code	Hardware list	Q'TY
a	 Chest	1pc	1	A	Furniture tipping restraint 	1set

DO NOT USE SUBSTITUTE PARTS. PLEASE CONTACT YOUR RETAIL STORE OR WWW.ROOMSTOGO.COM WITH SERVICE OR PARTS REPLACEMENT REQUEST

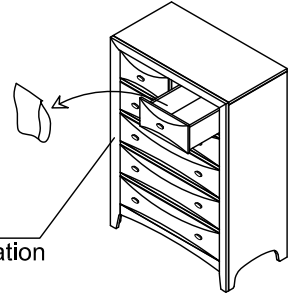
ROOMS TO GO KIDS

Manufactured for Rooms To Go Kids

Thank you for purchasing this quality product. Be sure to check all packing materials carefully for small parts which may have come loose inside the carton during shipment. Identify and count all parts and compare with the parts list. Read all instructions before assembling furniture and keep these instructions for future reference.

Hardware Pack Location:

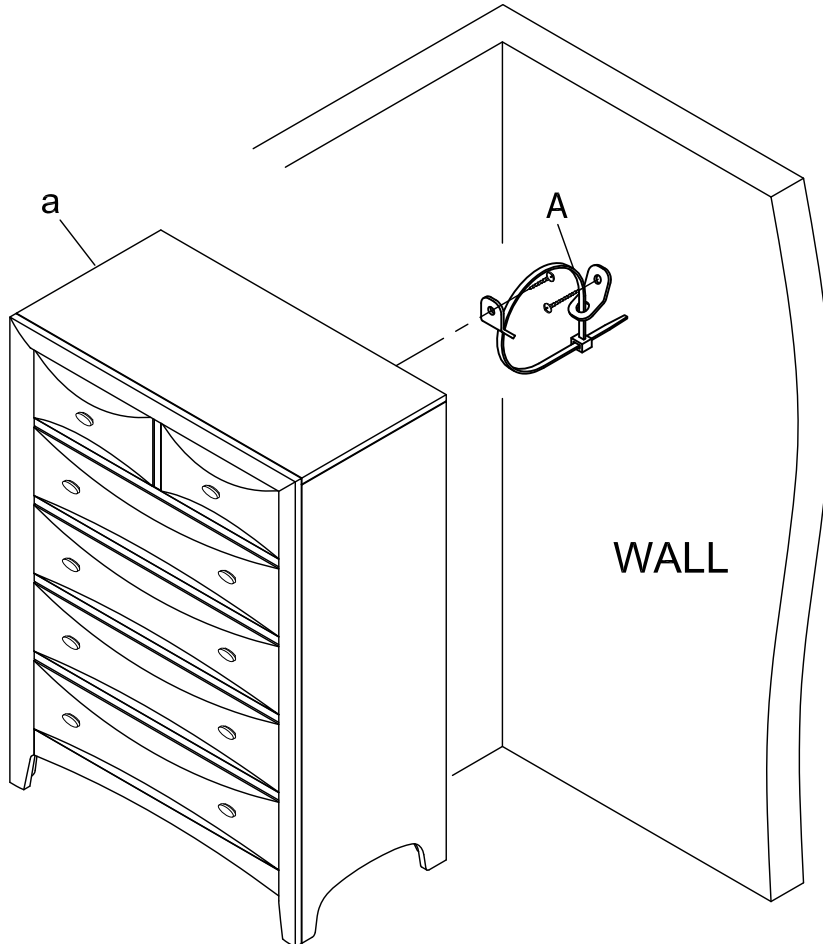
RTG SKU	STYLE#	FINISH	ITEM DESCRIPTION
34332611	3261-08	WHITE	CHEST
34332623	3260-08	WALNUT	CHEST



3261/3260-08
Hardware pack location

Assembly Instructions:

STEP 1



DO NOT USE SUBSTITUTE PARTS. PLEASE CONTACT YOUR RETAIL STORE OR WWW.ROOMSTOGO.COM WITH SERVICE OR PARTS REPLACEMENT REQUEST

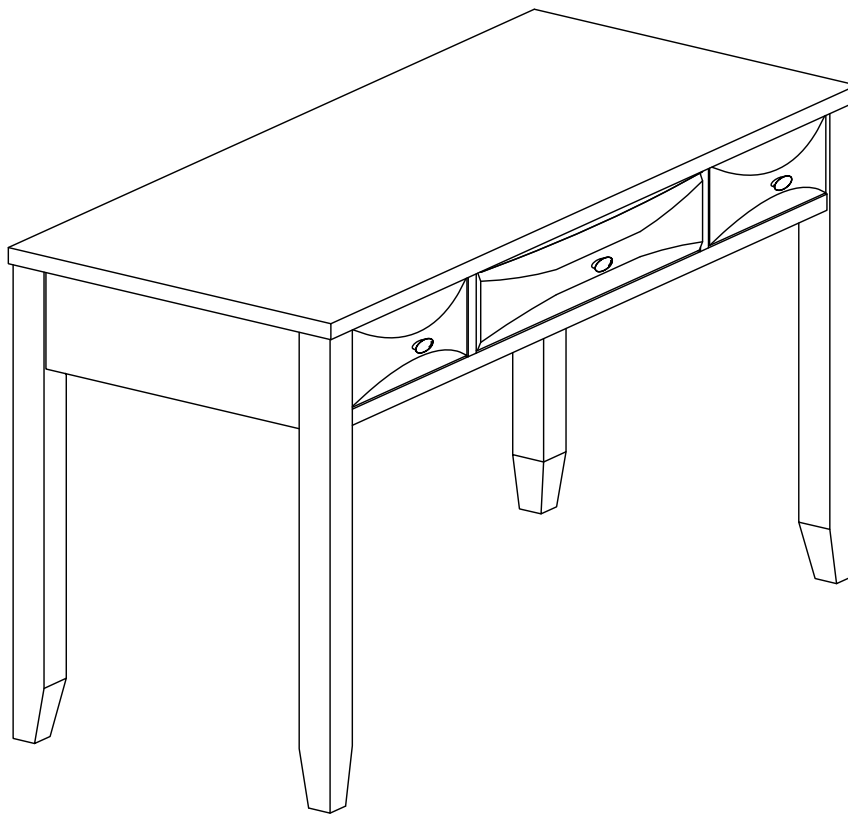
ROOMS TO GO

KIDS

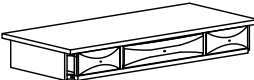




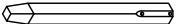

Manufactured for Rooms To Go Kids

IVY LEAGUE 2.0

DESK



RTG SKU	STYLE	FINISH	ITEM DESCRIPTION
34432613	3261-14D	WHITE	DESK
34432625	3260-14D	WALNUT	DESK

Parts list			Q'ty	Step	Code	Hardware list	Q'TY
a		Desk Top	1pc	2	A	Allen key 4mm 	1 pc
				2	B	Allen Bolt 5/16"x18x2-1/4" 	8pcs
				2	C	Spring Washer 5/16"xφ13x2mmT 	8pcs
				2	D	Flat Washer 5/16"xφ19x2mmT 	8pcs
c		Leg	4pcs	4	E	Furniture tipping restraint 	1set

DO NOT USE SUBSTITUTE PARTS. PLEASE CONTACT YOUR RETAIL STORE OR WWW.ROOMSTOGO.COM WITH SERVICE OR PARTS REPLACEMENT REQUEST

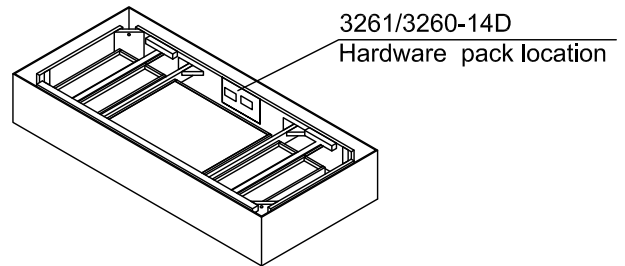
ROOMS TO GO KIDS

Manufactured for Rooms To Go Kids

Thank you for purchasing this quality product. Be sure to check all packing materials carefully for small parts which may have come loose inside the carton during shipment. Identify and count all parts and compare with the parts list. Read all instructions before assembling furniture and keep these instructions for future reference.

Hardware Pack Location:

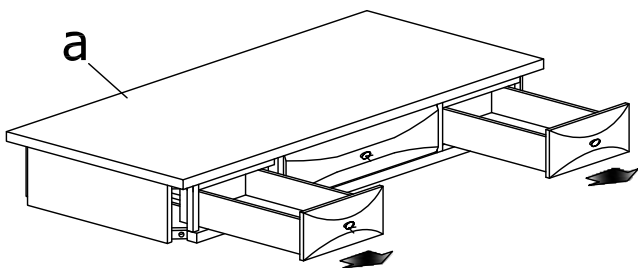
RTG SKU	STYLE#	FINISH	ITEM DESCRIPTION
34432613	3261-14D	WHITE	DESK
34432625	3260-14D	WALNUT	DESK



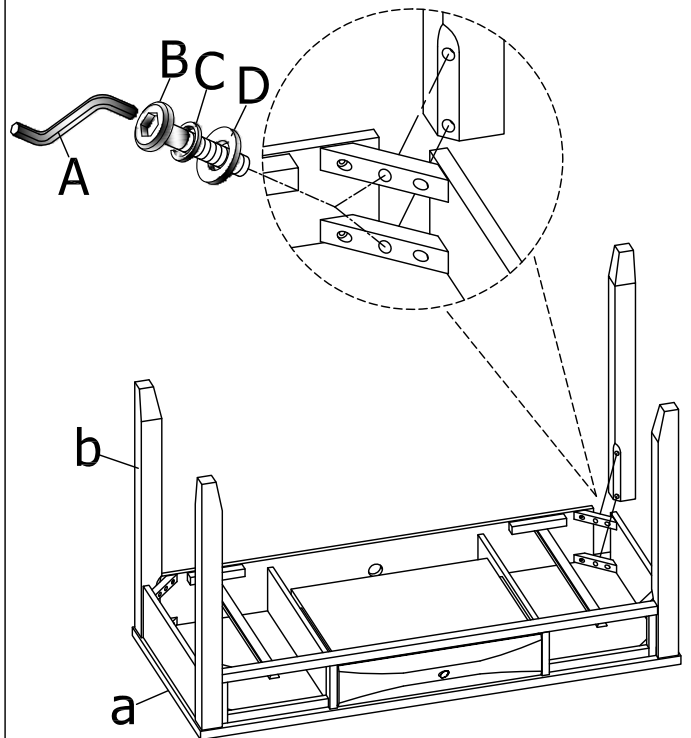
Assembly Instructions:

STEP 1

Remove all drawer from Desk Top



STEP 2

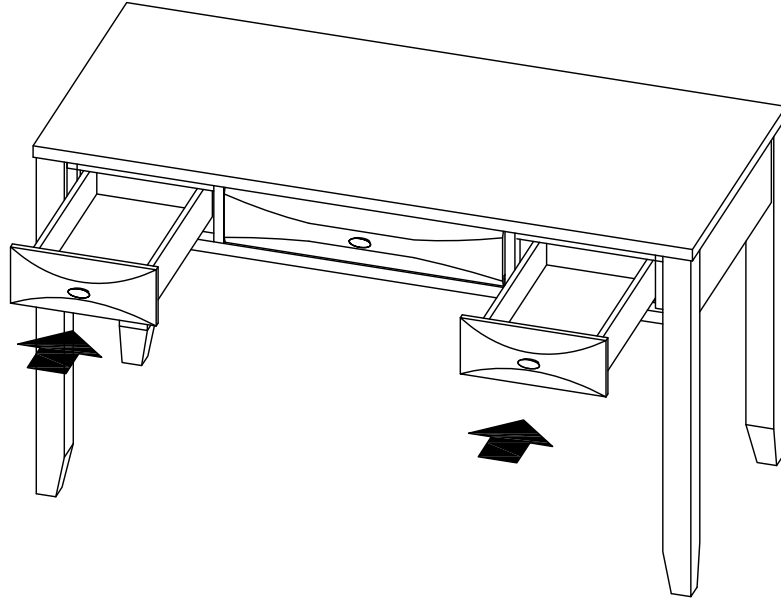


DO NOT USE SUBSTITUTE PARTS. PLEASE CONTACT YOUR RETAIL STORE OR WWW.ROOMSTOGO.COM WITH SERVICE OR PARTS REPLACEMENT REQUEST

ROOMS TO GO
KIDS
Manufactured for Rooms To Go Kids

STEP 3

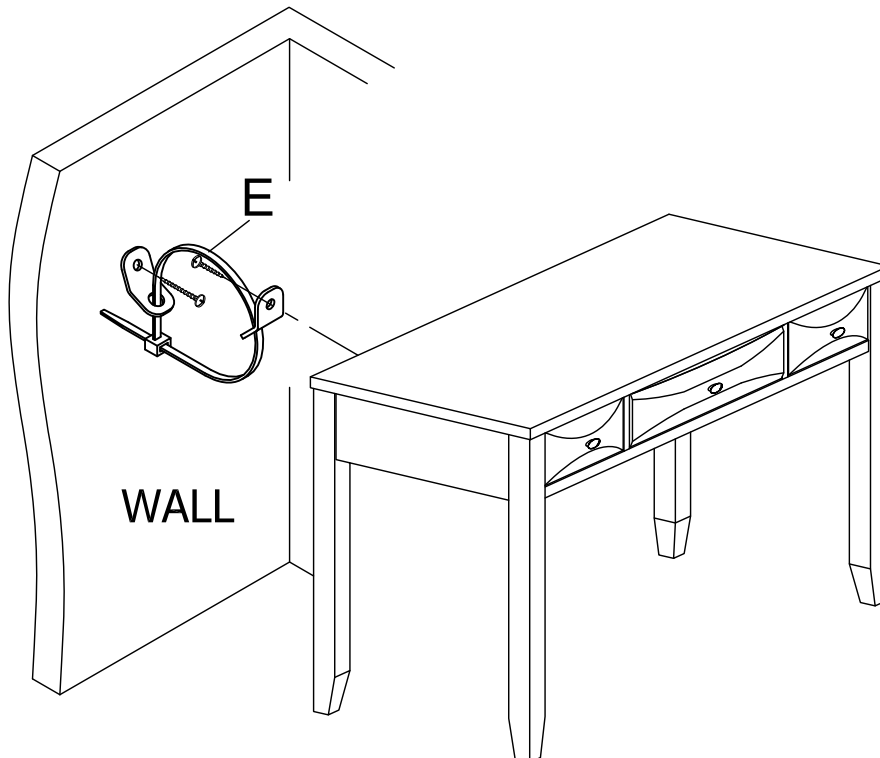
Put away drawers.



STEP 4

Case A: If you only purchased desk, please install anti-tipping hardware package according to the instruction printed and enclosed in the anti-tipping hardware package, and as shown in picture below.

Case B: If you also purchased hutch, please complete step 2 on Hutch's assembly instruction first. Then complete the final step of Desk step 4 / Hutch step 3 for anti-tipping hardware installation.



DO NOT USE SUBSTITUTE PARTS. PLEASE CONTACT YOUR RETAIL STORE OR WWW.ROOMSTOGO.COM WITH SERVICE OR PARTS REPLACEMENT REQUEST

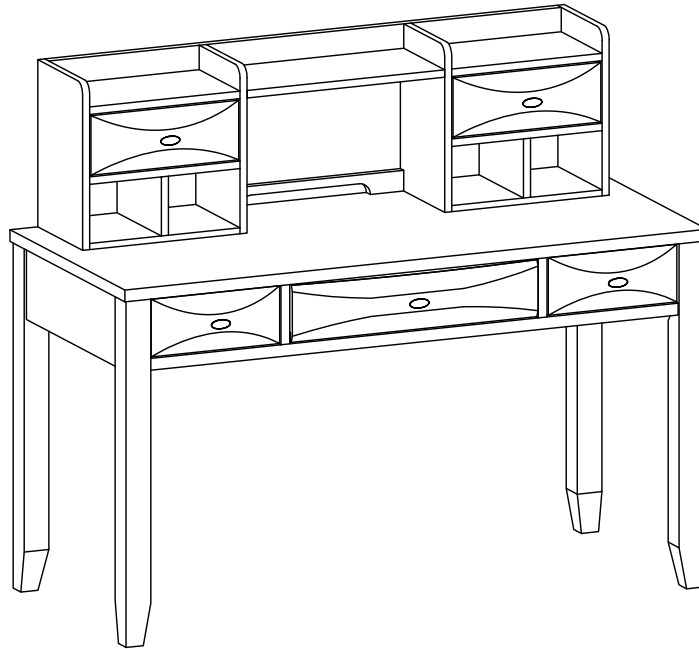
ROOMS TO GO

KIDS

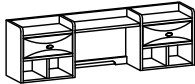





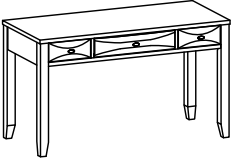

Manufactured for Rooms To Go Kids

IVY LEAGUE 2.0

HUTCH & DESK



3453262P-WALNUT			3453261P-WHITE		
RTG SKU	STYLE#	ITEM DESCRIPTION	RTG SKU	STYLE#	ITEM DESCRIPTION
34532627	3260-14H	HUTCH	34532615	3261-14H	HUTCH
34432625	3260-14D	DESK	34432613	3261-14D	DESK

HUTCH Parts list		Q'ty	HUTCH Hardware list		Q'TY		
a		Hutch	1pc	1	A	Allen key 4mm 	1 pc
				1	B	Allen Bolt 1/4"x20x3/4" 	2pcs
				2	C	Spring Washer 1/4"xφ11x2mmT 	2pcs
				2	D	Flat Washer 1/4"xφ19x2mmT 	2pcs
				3	E	Furniture tipping restraint 	1set
DESK Parts list		Q'ty	DESK Hardware list		Q'TY		
b		Desk	1pc	3	E	Furniture tipping restraint 	1set

DO NOT USE SUBSTITUTE PARTS. PLEASE CONTACT YOUR RETAIL STORE OR WWW.ROOMSTOGO.COM WITH SERVICE OR PARTS REPLACEMENT REQUEST

ROOMS TO GO KIDS

Manufactured for Rooms To Go Kids

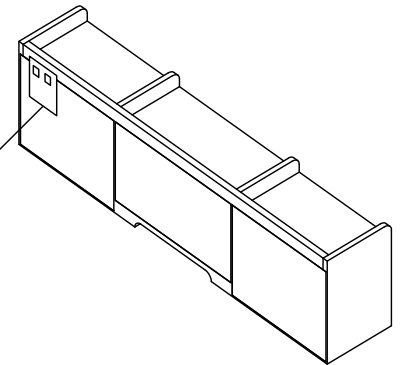
Thank you for purchasing this quality product. Be sure to check all packing materials carefully for small parts which may have come loose inside the carton during shipment. Identify and count all parts and compare with the parts list. Read all instructions before assembling furniture and keep these instructions for future reference.

Hardware Pack Location:

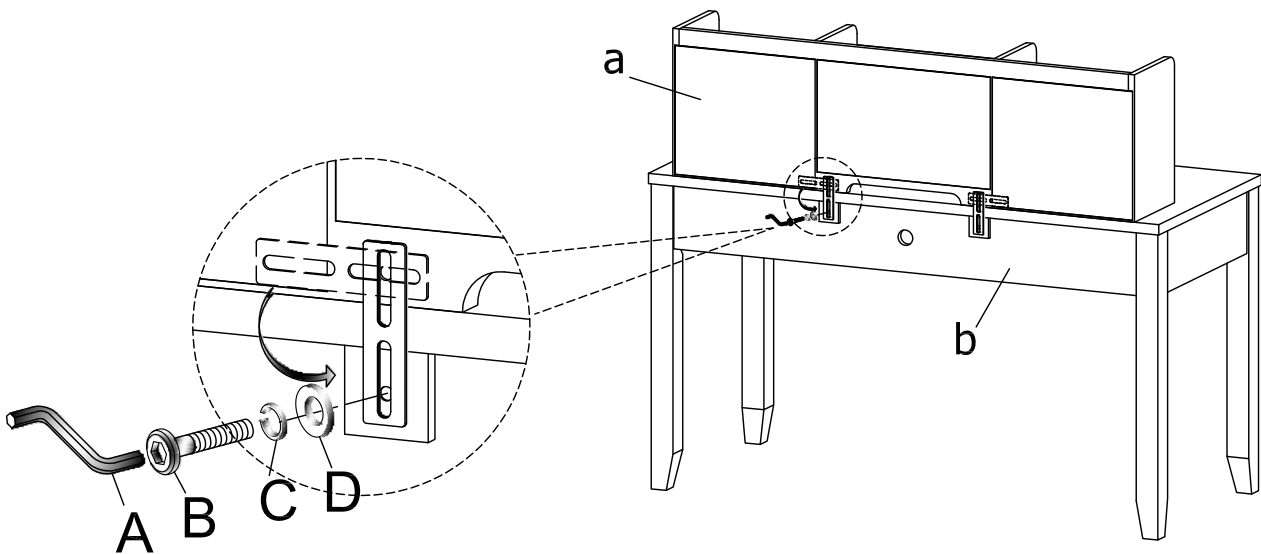
3453262P-WALNUT		
RTG SKU	STYLE#	ITEM DESCRIPTION
34532627	3260-14H	HUTCH

3453261P-WHITE		
RTG SKU	STYLE#	ITEM DESCRIPTION
34532615	3261-14H	HUTCH

3261/3260-14H
Hardware pack location

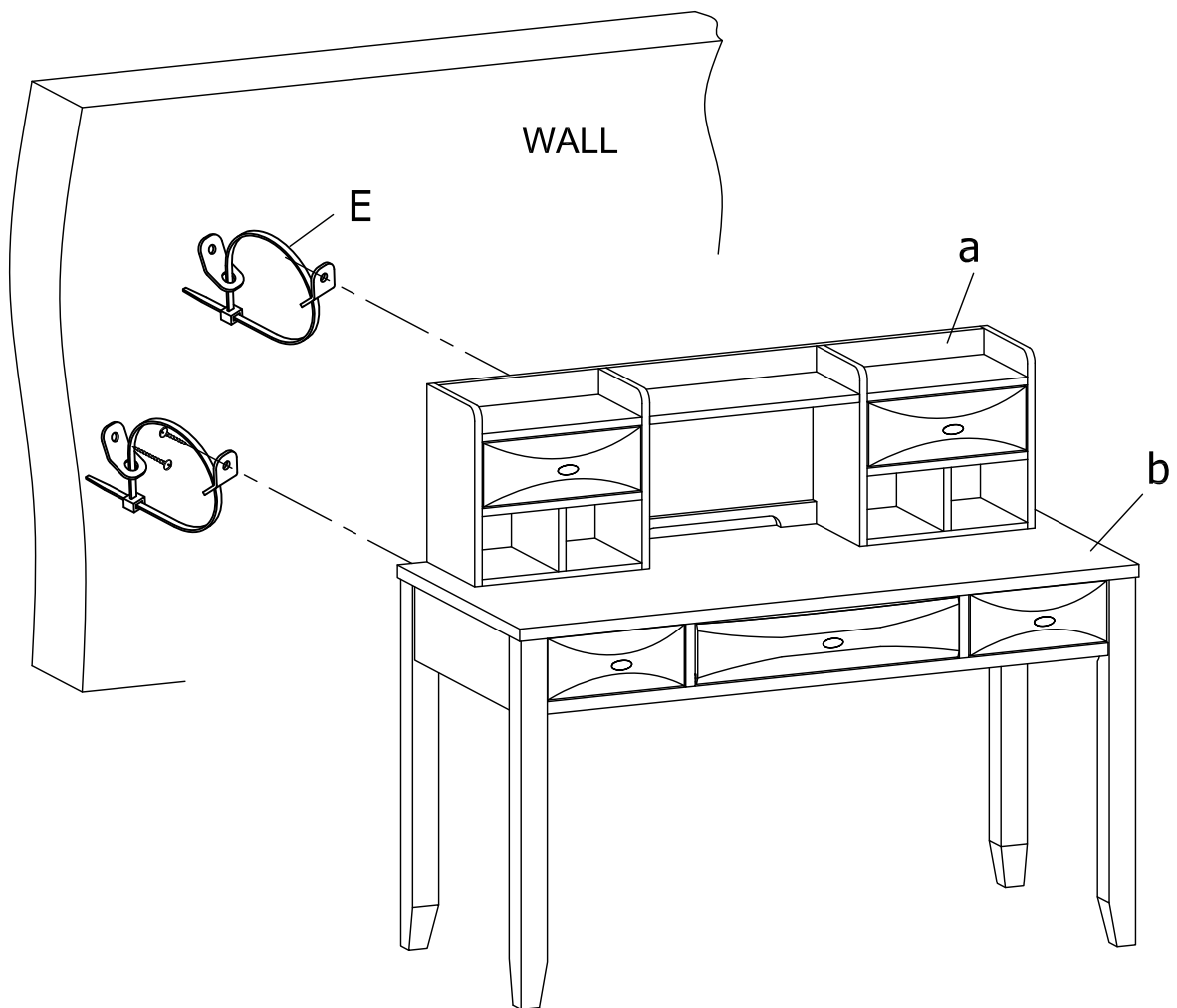


Assembly Instructions:



DO NOT USE SUBSTITUTE PARTS. PLEASE CONTACT YOUR RETAIL STORE OR WWW.ROOMSTOGO.COM WITH SERVICE OR PARTS REPLACEMENT REQUEST

STEP 2



STEP 3

DO NOT USE SUBSTITUTE PARTS. PLEASE CONTACT YOUR RETAIL STORE OR WWW.ROOMSTOGO.COM WITH SERVICE OR PARTS REPLACEMENT REQUEST

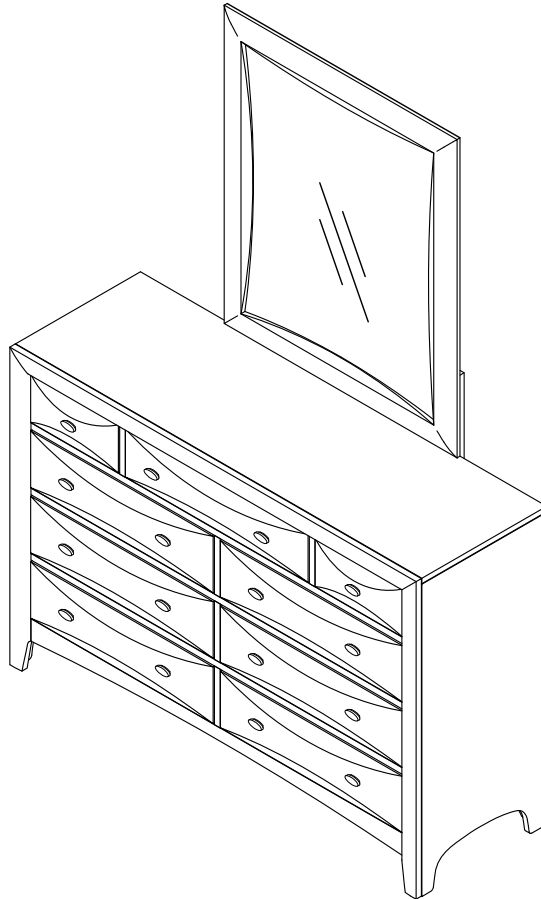
ROOMS TO GO

KIDS


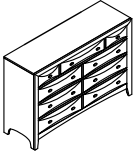

Manufactured for Rooms To Go Kids

IVY LEAGUE 2.0

DRESSER & MIRROR



3403262P-WALNUT			3403261P-WHITE		
RTG SKU	STYLE#	ITEM DESCRIPTION	RTG SKU	STYLE#	ITEM DESCRIPTION
34032627	3260-06	MIRROR	34032615	3261-06	MIRROR
34132629	3260-05	DRESSER	34132617	3261-05	DRESSER

MIRROR Parts list			Q'ty	DRESSER Parts list			Q'ty
a		Mirror	1pc	c		Dresser (sold separately)	1pc
b		Mirror Bracket	2pcs				


DO NOT USE SUBSTITUTE PARTS. PLEASE CONTACT YOUR RETAIL STORE OR WWW.ROOMSTOGO.COM WITH SERVICE OR PARTS REPLACEMENT REQUEST

ROOMS TO GO KIDS

Manufactured for Rooms To Go Kids

Thank you for purchasing this quality product. Be sure to check all packing materials carefully for small parts which may have come loose inside the carton during shipment. Identify and count all parts and compare with the parts list. Read all instructions before assembling furniture and keep these instructions for future reference.

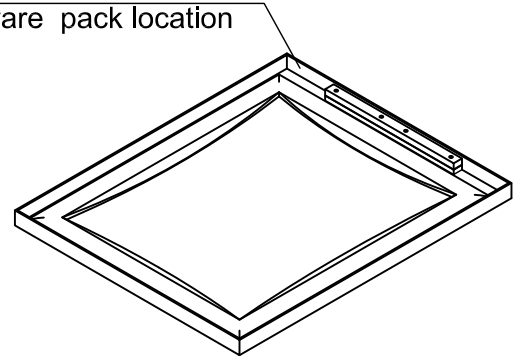
Step	Code	MIRROR Hardware list	Q'TY
1	A	Allen key 4mm 	1 pc
1	B	Allen Bolt 1/4"x20x1-1/4" 	8pcs
1	C	Spring Washer 1/4"xφ11x2mmT 	8pcs
1	D	Flat Washer 1/4"xφ19x2mmT 	8pcs

Step	Code	DRESSER Hardware list	Q'TY
2	E	Furniture tipping restraint 	1set

Hardware Pack Location:

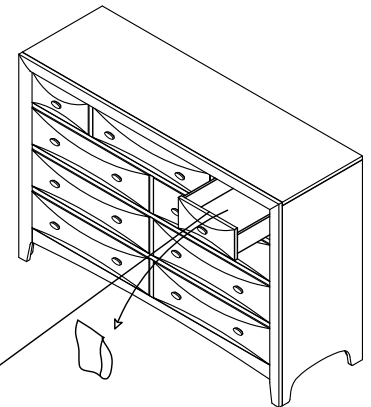
3403262P-WALNUT		
RTG SKU	STYLE#	ITEM DESCRIPTION
34032627	3260-06	MIRROR
34132629	3260-05	DRESSER

3261/3260-06
Hardware pack location



3403261P-WHITE		
RTG SKU	STYLE#	ITEM DESCRIPTION
34032615	3261-06	MIRROR
34132617	3261-05	DRESSER

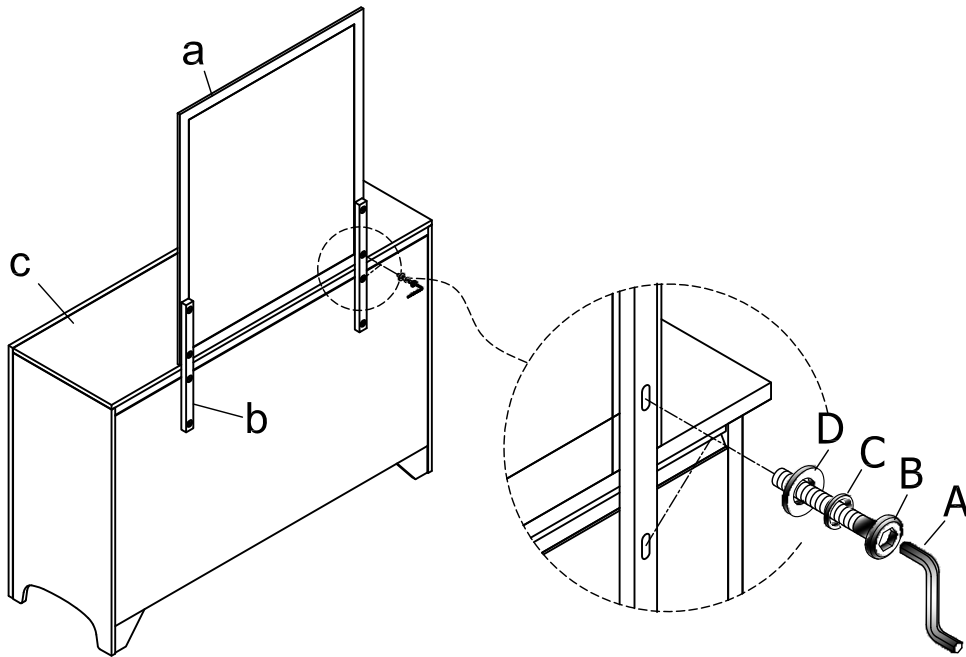
3261/3260-05
Hardware pack location



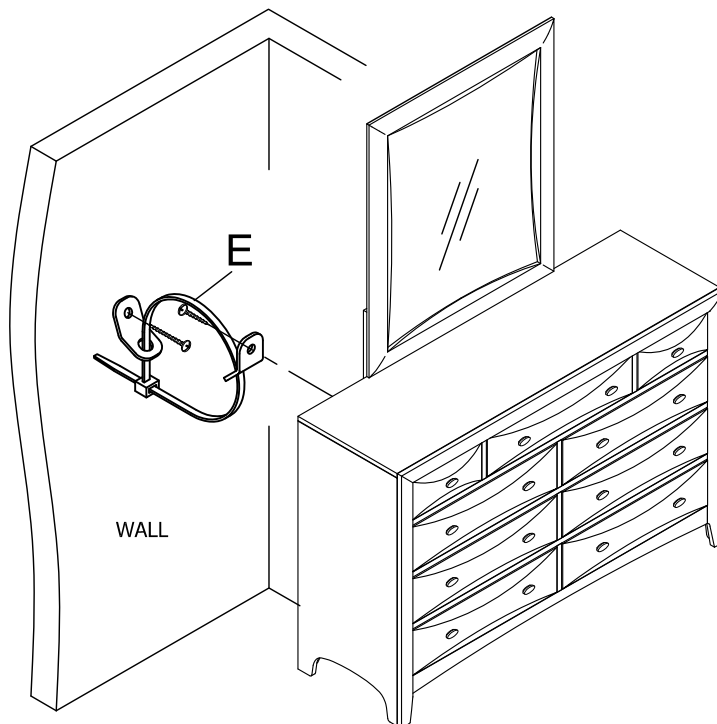
DO NOT USE SUBSTITUTE PARTS. PLEASE CONTACT YOUR RETAIL STORE OR WWW.ROOMSTOGO.COM WITH SERVICE OR PARTS REPLACEMENT REQUEST

Assembly Instructions:

STEP 1



STEP 2



DO NOT USE SUBSTITUTE PARTS. PLEASE CONTACT YOUR RETAIL STORE OR WWW.ROOMSTOGO.COM WITH SERVICE OR PARTS REPLACEMENT REQUEST



ROOMS TO GO 
KIDS

Manufactured for Rooms To Go Kids

IVY LEAGUE 2.0
 NIGHTSTAND



RTG SKU	STYLE#	FINISH	ITEM DESCRIPTION
34232619	3261-07	WHITE	NIGHTSTAND
34232621	3260-07	WALNUT	NIGHTSTAND

Parts list		Q'ty	Step	Code	Hardware list	Q'TY
a		Nightstand	1pc	1	A	Furniture tipping restraint  1set

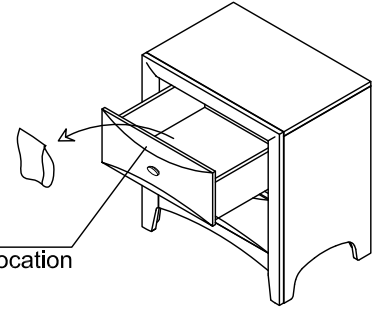
DO NOT USE SUBSTITUTE PARTS. PLEASE CONTACT YOUR RETAIL STORE OR WWW.ROOMSTOGO.COM WITH SERVICE OR PARTS REPLACEMENT REQUEST

ROOMS TO GO
KIDS
 Manufactured for Rooms To Go Kids

Thank you for purchasing this quality product. Be sure to check all packing materials carefully for small parts which may have come loose inside the carton during shipment. Identify and count all parts and compare with the parts list. Read all instructions before assembling furniture and keep these instructions for future reference.

Hardware Pack Location:

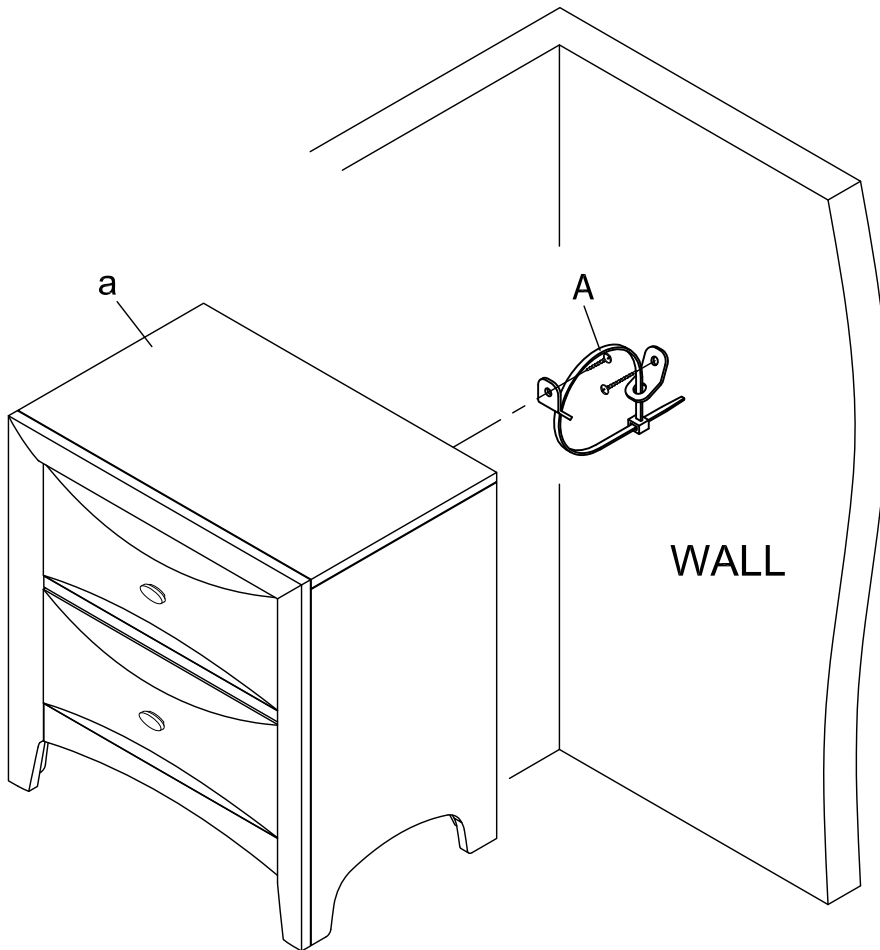
RTG SKU	STYLE#	FINISH	ITEM DESCRIPTION
34232619	3261-07	WHITE	NIGHTSTAND
34232621	3260-07	WALNUT	NIGHTSTAND



3261/3260-07
 Hardware pack location

Assembly Instructions:

STEP 1



DO NOT USE SUBSTITUTE PARTS. PLEASE CONTACT YOUR RETAIL STORE OR WWW.ROOMSTOGO.COM WITH SERVICE OR PARTS REPLACEMENT REQUEST