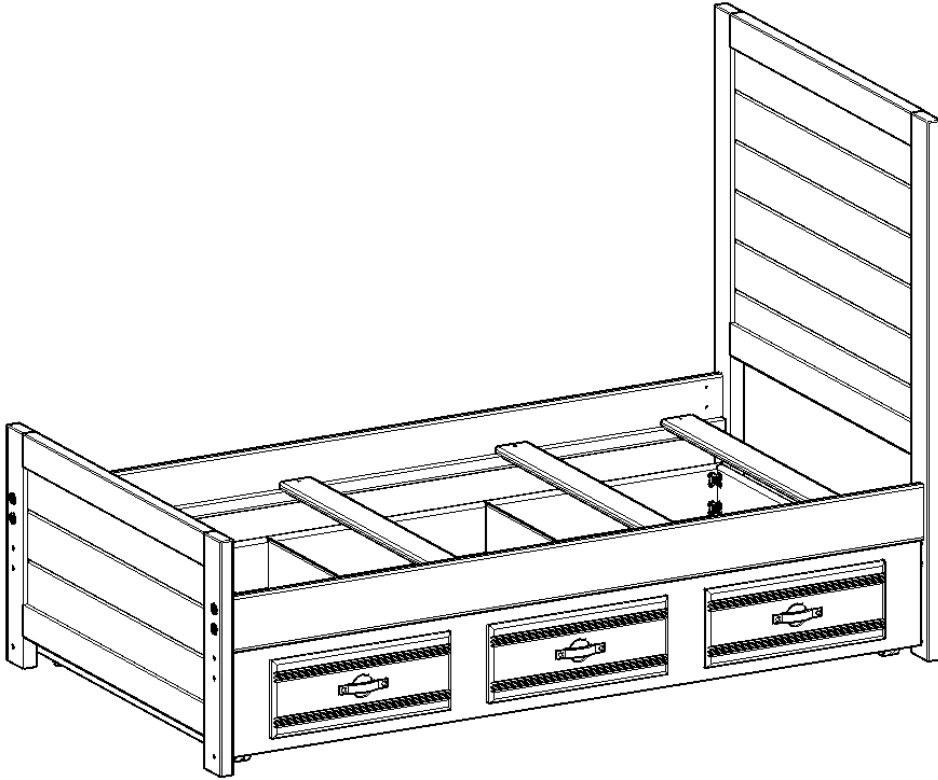



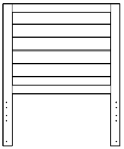



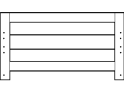


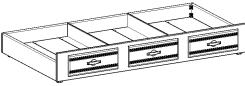

PARTS LIST



3404040P TWIN PANEL BED CHARCOAL		
RTG SKU #	STYLE #	ITEM DESCRIPTION
34540408	40G-115	TWIN PANEL HEADBOARD
34740402	40G-116	TWIN FOOTBOARD
35140401	40G-939	2 PC. SIDE RAILS
38000232	100-645	TW. SLAT PACK (4)
35440407	40G-744	TRUNDLE BED ADD ON

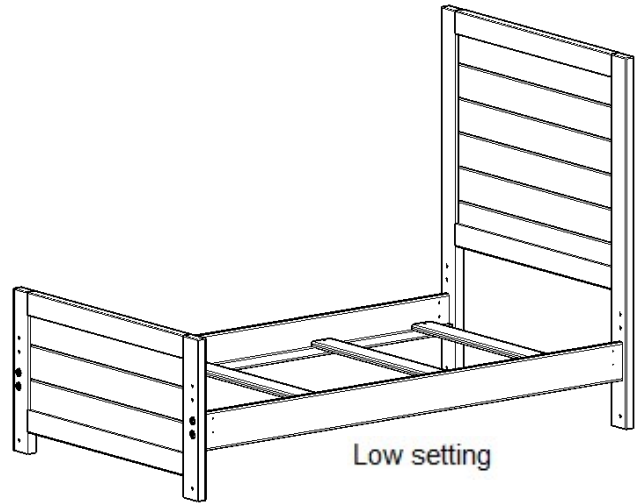
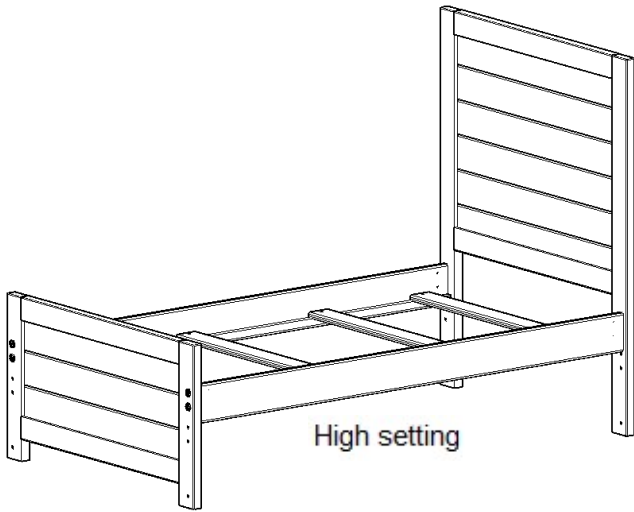
3404041P TWIN PANEL BED CHESTNUT		
RTG SKU #	STYLE #	ITEM DESCRIPTION
34540410	40B-115	TWIN PANEL HEADBOARD
34740414	40B-116	TWIN FOOTBOARD
35140413	40B-939	2 PC. SIDE RAILS
38000232	100-645	TW. SLAT PACK (4)
35440419	40B-744	TRUNDLE BED ADD ON

WARNING:
THE BED SLATS WILL NOT SUPPORT A MATTRESS ALONE, THIS BED REQUIRES A BOX SPRING OR BUNKIE BOARD. SOLD SEPARATELY

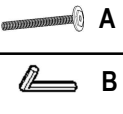
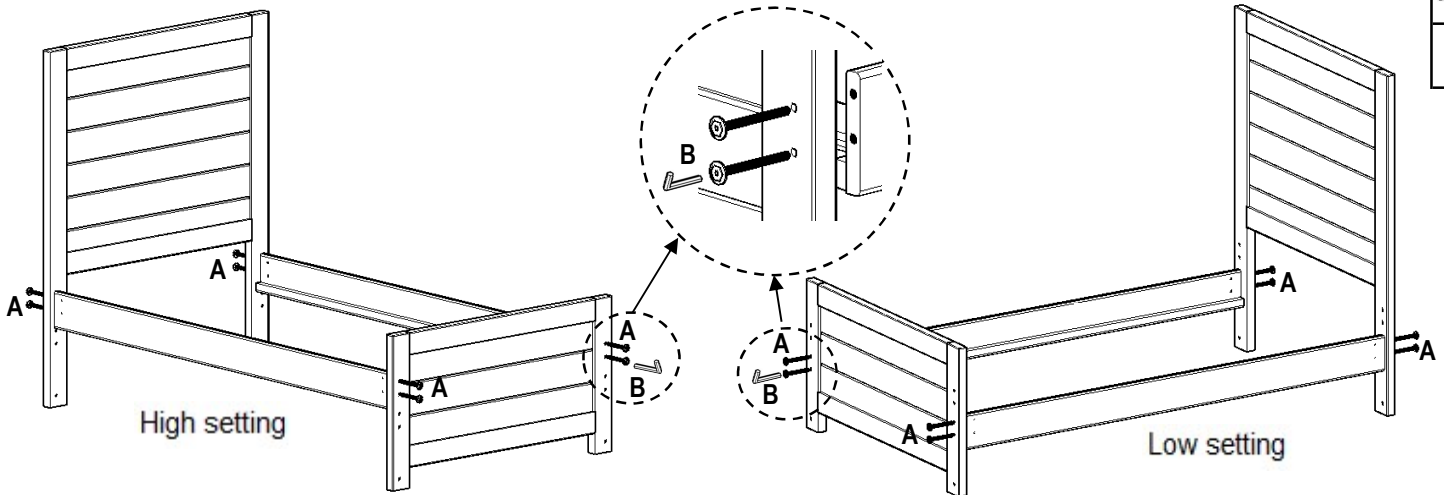
PARTS LIST		QTY	PARTS LIST		QTY	HARDWARE LIST		QTY	TOOLS NEEDED	
1	 Side rails	2 Pcs	3	 Twin panel headboard	1 Pc	A	 5/16"-18 x 2 3/8" Bolt	8 Pcs	Phillips screwdriver (not included) 	
2	 Twin slats	4 Pcs	4	 Twin footboard	1 Pc	B	 Allen wrench	1 Pc	Allen wrench (included) 	
			5	 Trundle bed (Optional)	1 Pc	C	 1 1/4" Screws	8 Pcs		

ASSEMBLY INSTRUCTIONS

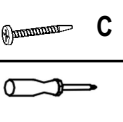
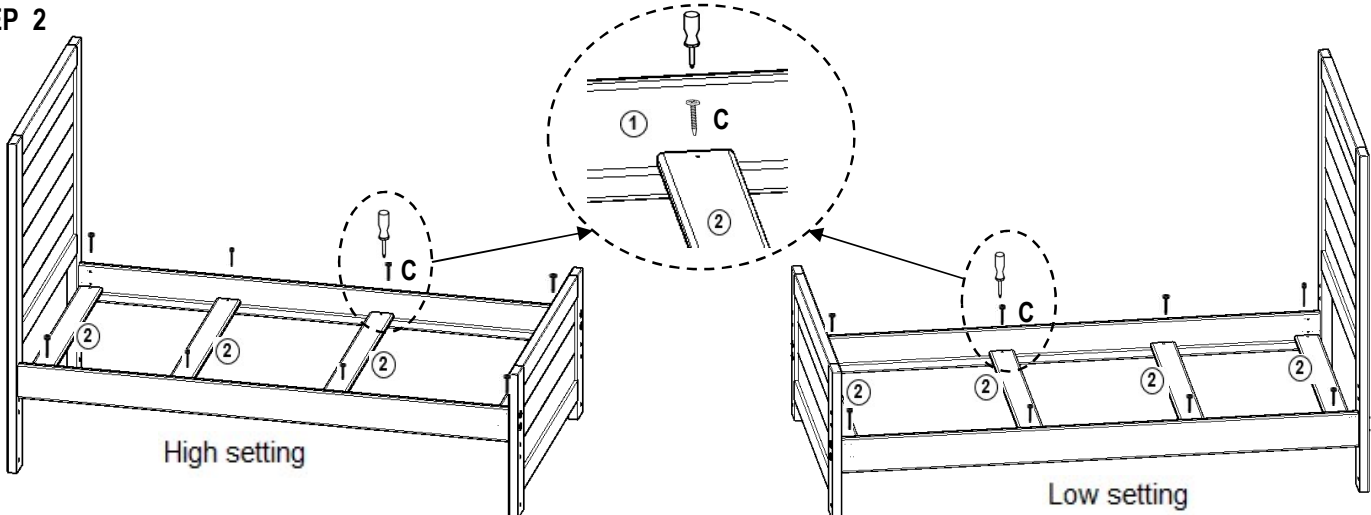
THERE ARE TWO POSSIBLE SETTINGS, HIGH AND LOW SIDE RAIL SETTINGS
IF YOU PURCHASE A TRUNDLE BED DO HIGH SETTINGS,
IF NOT DO LOW SETTINGS.



STEP 1



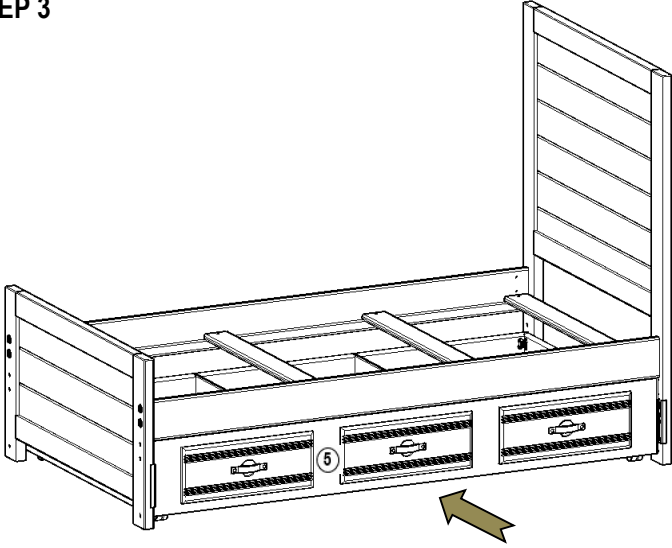
STEP 2



Install slats, one on each end, two equally spaced in the middle, then fasten with 1 1/4" screws.

ASSEMBLY INSTRUCTIONS

STEP 3



For **optional** Trundle bed follow assembly instructions inside Trundle bed box, then slide under the bed as shown.