

# Assembly Instruction

HOUS 4092-73N	Drawer Dresser - White	SKU# 36840925	HOUS 4092-74	Mirror - White	SKU# 34040927
HOUS 4094-73N	Drawer Dresser - Gray	SKU# 36840949	HOUS 4094-74	Mirror - Gray	SKU# 34040941
HOUS 4096-73N	Drawer Dresser - Graphite	SKU#	HOUS 4096-74	Mirror - Graphite	SKU# 34040965

Thank you for purchasing this quality product. Be sure to check all packing materials carefully for small parts which may have come loose inside the carton during shipment. Identify and count all parts and compare with the parts list below.  
**\*\*Assemble the product on a flat, soft surface such as a carpet or cloth to prevent scratching the finish. Read all instruction and study the drawings carefully before starting the assembly process.**

**Part list**

NO.	SKETCH	DESCRIPTION	Q'TY
A		Dresser	1 pc
B		Mirror	1 pc
C		Mirror support	2 pcs

**Hardware list (Enclosed in Mirror)**

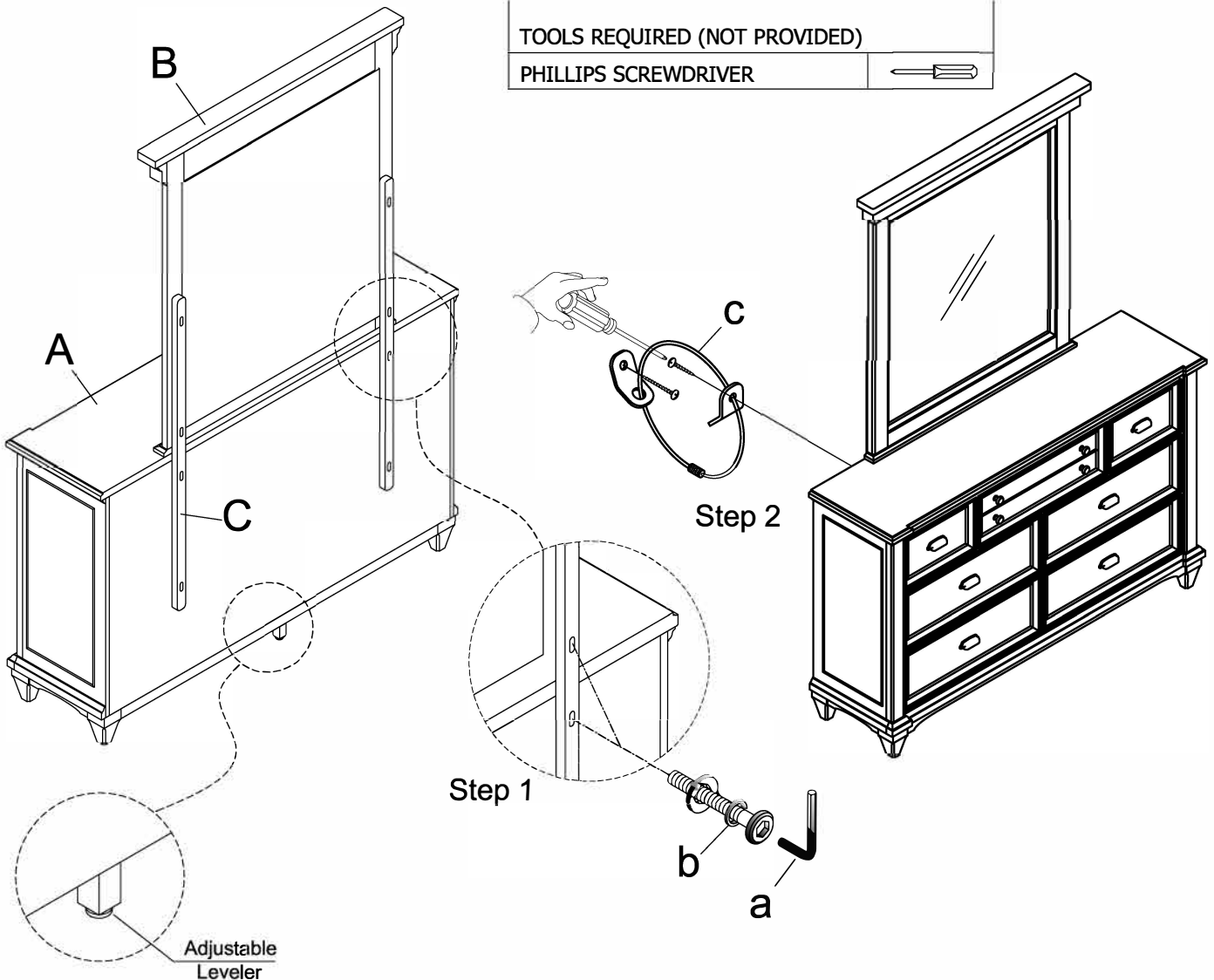
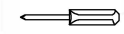
NO.	SKETCH	DESCRIPTION	Q'TY
a		4 mm Allen key	1 pc
b		1/4"x20x1-1/2" Connecting Bolt w/Washer & Spring Washer	8 pcs

**Hardware list (Enclosed in Dresser)**

NO.	SKETCH	DESCRIPTION	Q'TY
c		Furniture tipping restraint (Customer to assemble)	1 set

**TOOLS REQUIRED (NOT PROVIDED)**

PHILLIPS SCREWDRIVER



**Cleaning Instruction:** Clean finished parts with a mild dishwashing liquid and water solution on a damp cloth. Polish the finish with soft cloth and an industry recognized furniture polish.