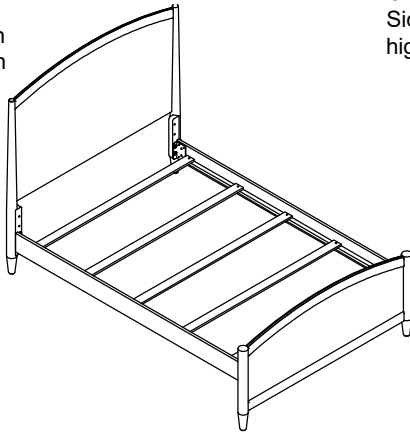


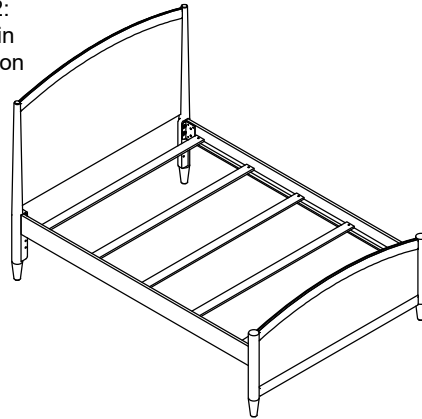
MODERN COLORS

TWIN PANEL BED / TWIN XL PANEL BED

OPTION 1:
Side rails in
low position



OPTION 2:
Side rails in
high position



3404254P - TWIN PANEL BED - WHITE		3404253P - TWIN PANEL BED - LIGHT GRAY		DESCRIPTION
SKU	STYLE#	SKU	STYLE#	
34842547	425TH-W	34842535	425TH-G	TWIN PANEL HEADBOARD
34942549	425TF-W	34942537	425TF-G	TWIN PANEL FOOTBOARD W/ SLATS
35242546	425TFR-W	35242534	425TFR-G	2 PC TWIN/FULL SIDE RAILS

3404257P - TWIN PANEL BED - PINK		3404251P - TWIN PANEL BED - IRON ORE		DESCRIPTION
SKU	STYLE#	SKU	STYLE#	
34842573	425TH-PK	34842511	425TH-IO	TWIN PANEL HEADBOARD
34942575	425TF-PK	34942513	425TF-IO	TWIN PANEL FOOTBOARD W/ SLATS
35242572	425TFR-PK	35242510	425TFR-IO	2 PC TWIN/FULL SIDE RAILS

3404252P - TWIN PANEL BED - SLATE BLUE		DESCRIPTION
SKU	STYLE#	
34842523	425TH-SB	TWIN PANEL HEADBOARD
34942525	425TF-SB	TWIN PANEL FOOTBOARD W/ SLATS
35242522	425TFR-SB	2 PC TWIN/FULL SIDE RAILS

3414254P - TWIN XL PANEL BED - WHITE		3414253P - TWIN XL PANEL BED - LIGHT GRAY		DESCRIPTION
SKU	STYLE#	SKU	STYLE#	
34842547	425TH-W	34842535	425TH-G	TWIN PANEL HEADBOARD
34942549	425TF-W	34942537	425TF-G	TWIN PANEL FOOTBOARD W/ SLATS
35342548	425TXR-W	35342536	425TXR-G	2 PC TWIN XL SIDE RAILS

3414257P - TWIN XL PANEL BED - PINK		3414251P - TWIN XL PANEL BED - IRON ORE		DESCRIPTION
SKU	STYLE#	SKU	STYLE#	
34842573	425TH-PK	34842511	425TH-IO	TWIN PANEL HEADBOARD
34942575	425TF-PK	34942513	425TF-IO	TWIN PANEL FOOTBOARD W/ SLATS
35342574	425TXR-PK	35342512	425TXR-IO	2 PC TWIN XL SIDE RAILS



3414252P - TWIN XL PANEL BED - SLATE BLUE		DESCRIPTION
SKU	STYLE#	
34842523	425TH-SB	TWIN PANEL HEADBOARD
34942525	425TF-SB	TWIN PANEL FOOTBOARD W/ SLATS
35342524	425TXR-SB	2 PC TWIN XL SIDE RAILS


DO NOT USE SUBSTITUTE PARTS. PLEASE CONTACT YOUR RETAIL STORE OR WWW.ROOMSTOGO.COM WITH SERVICE OR PARTS REPLACEMENT REQUEST.


This product is manufactured by (JSFC) for **ROOMS TO GO® | KIDS**

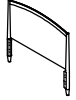
MODERN COLORS


TWIN PANEL BED / TWIN XL PANEL BED



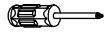
FOOTBOARD PART LIST			
	ITEM DESCRIPTION	IMAGE	QTY
A	FOOTBOARD		1 PC
C	SLAT		5 PCS


TWIN/FULL SIDE RAIL PART LIST			
	ITEM DESCRIPTION	IMAGE	QTY
B	SIDE RAIL		2 PCS


TWIN XL SIDE RAIL PART LIST			
	ITEM DESCRIPTION	IMAGE	QTY
D	SIDE RAIL		2 PCS

HEADBOARD PART LIST			
	ITEM DESCRIPTION	IMAGE	QTY
G	HEADBOARD		1 PC

HEADBOARD HARDWARE LIST			
	ITEM DESCRIPTION	IMAGE	QTY
1	ALLEN KEY 4mm		1 PC

FOOTBOARD HARDWARE LIST			
	ITEM DESCRIPTION	IMAGE	QTY
1	ALLEN KEY 4mm		1 PC
2	SCREW M4 x 1-1/4"		10 PCS
3	PHILIPS SCREWDRIVER (NOT PROVIDED)		1 PC

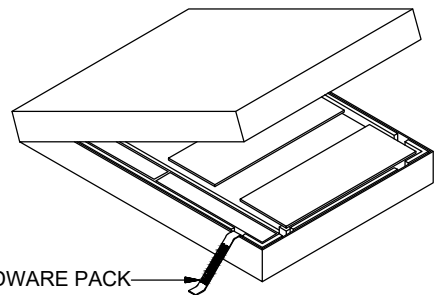
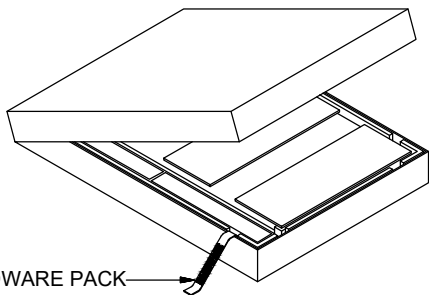
FOOTBOARD PRE-ASSEMBLED HARDWARE LIST			
	ITEM DESCRIPTION	IMAGE	QTY
4	BOLT Ø5/16*13*3/4L		4 PCS
	SPRING WASHER Ø5/16*12*1.2MM		4 PCS
	FLAT WASHER Ø5/16*19*1.5MM		4 PCS

HEADBOARD PRE-ASSEMBLED HARDWARE LIST			
	DESCRIPTION	IMAGE	Q'TY
5	BOLT Ø5/16 *13* 3/4L		4 PCS
	SPRING WASHER Ø5/16*12*1.2MM		4 PCS
	FLAT WASHER Ø5/16*19*1.5MM		4 PCS

HARDWARE PACK LOCATION

SKU#	STYLE	COLOR	ITEM DESCRIPTION
34942549	425TF-W	WHITE	TWIN PANEL FOOTBOARD W/ SLATS
34942537	425TF-G	LIGHT GRAY	TWIN PANEL FOOTBOARD W/ SLATS
34942575	425TF-PK	PINK	TWIN PANEL FOOTBOARD W/ SLATS
34942513	425TF-IO	IRON ORE	TWIN PANEL FOOTBOARD W/ SLATS
34942525	425TF-SB	SLATE BLUE	TWIN PANEL FOOTBOARD W/ SLATS

SKU#	STYLE	COLOR	ITEM DESCRIPTION
34842547	425TH-W	WHITE	TWIN PANEL HEADBOARD
34842535	425TH-G	LIGHT GRAY	TWIN PANEL HEADBOARD
34842573	425TH-PK	PINK	TWIN PANEL HEADBOARD
34842511	425TH-IO	IRON ORE	TWIN PANEL HEADBOARD
34842523	425TH-SB	SLATE BLUE	TWIN PANEL HEADBOARD



DO NOT USE SUBSTITUTE PARTS. PLEASE CONTACT YOUR RETAIL STORE OR WWW.ROOMSTOGO.COM WITH SERVICE OR PARTS REPLACEMENT REQUEST.

This product is manufactured by (JSFC) for **ROOMS TO GO® | KIDS**

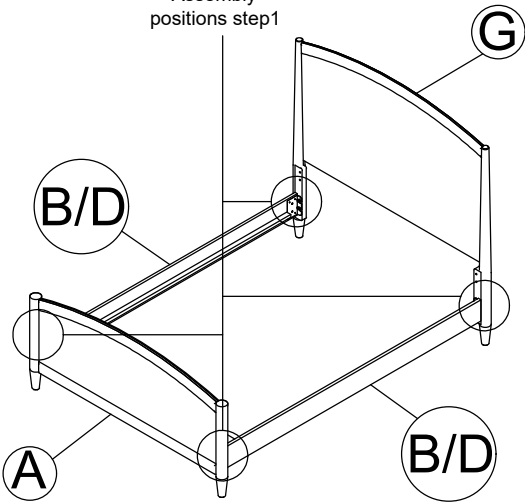
Thank you for purchasing this quality product. Be sure to check all packing material carefully for small parts which may have come loose inside the carton during shipment. Identify and count all parts and compare with the parts list below. Read all instructions before assembling bed and keep these instruction for future reference.

Assembly Instructions:

STEP 1

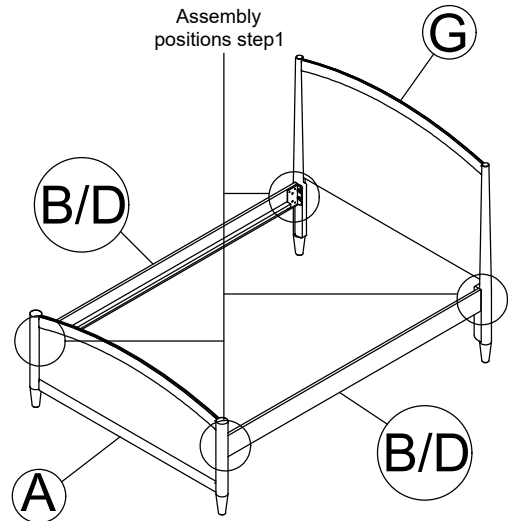
OPTION 1

Assembly positions step1

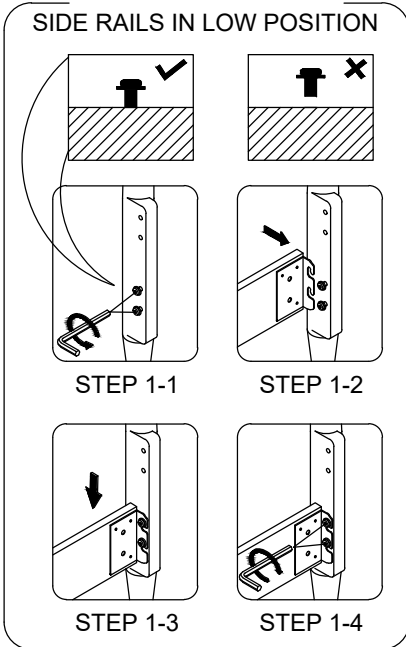


OPTION 2

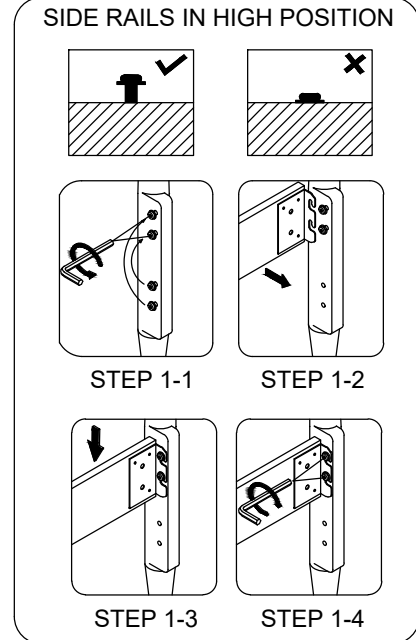
Assembly positions step1



STEP 1 FOR OPTION 1 SIDE RAILS IN LOW POSITION



STEP 1 FOR OPTION 2 SIDE RAILS IN HIGH POSITION



Select the appropriate side rail position. Attach Headboard(G) and Footboard (A) to the Side Rail (B) for Twin bed, or Side Rail(D) for Twin XL bed: Loosen pre-assembled bolts from the Headboard legs and Footboard legs to secure. Tighten bolts using Allen Key(1) provided.

DO NOT USE SUBSTITUTE PARTS. PLEASE CONTACT YOUR RETAIL STORE OR WWW.ROOMSTOGO.COM WITH SERVICE OR PARTS REPLACEMENT REQUEST.

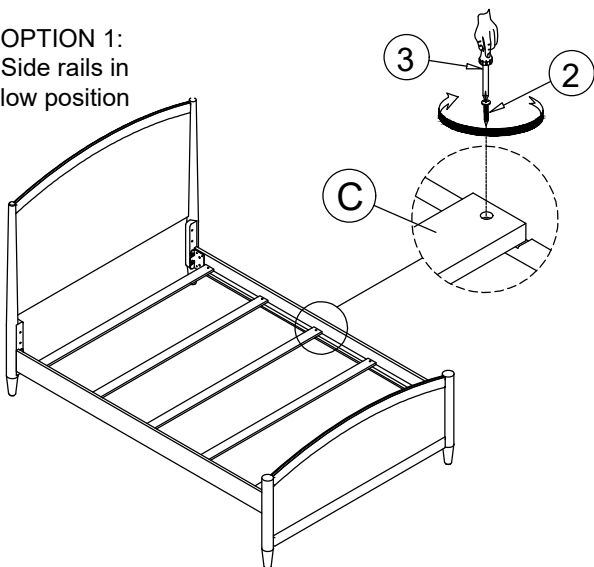
This product is manufactured by (JSFC) for **ROOMS TO GO® | KIDS**

Thank you for purchasing this quality product. Be sure to check all packing material carefully for small parts which may have come loose inside the carton during shipment. Identify and count all parts and compare with the parts list below. Read all instructions before assembling bed and keep these instruction for future reference.

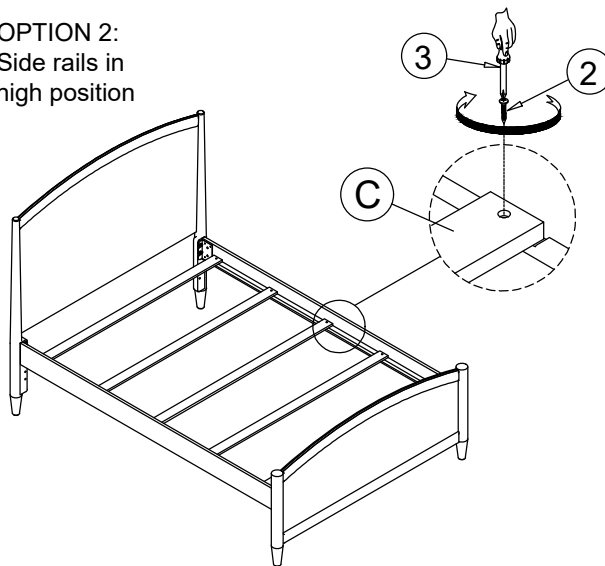
Assembly Instructions:

STEP 2

OPTION 1:
Side rails in
low position



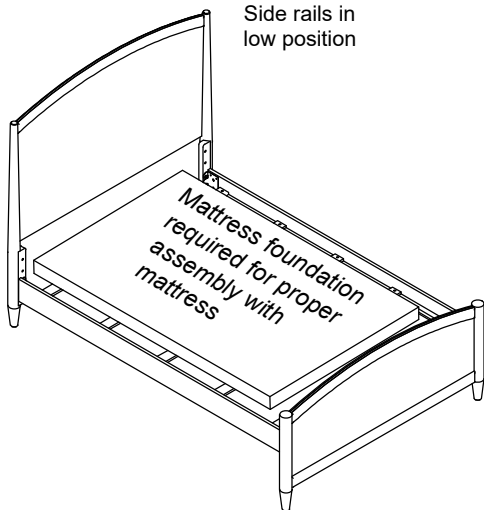
OPTION 2:
Side rails in
high position



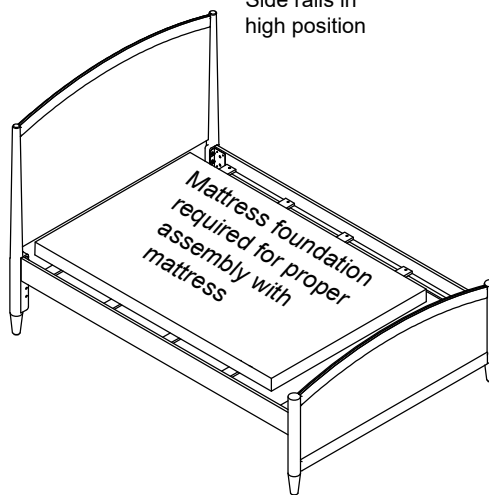
Attach Slats (C) to Side Rail (B/D) and Tighten the screws (2) to the Side Rail (B/D) with a Philips Screwdriver (3) (Not provided) by screwing the screws into place.

STEP 3

OPTION 1:
Side rails in
low position



OPTION 2:
Side rails in
high position



A mattress foundation is required for proper assembly with mattress. Place the mattress foundation (not provided) on top.

DO NOT USE SUBSTITUTE PARTS. PLEASE CONTACT YOUR RETAIL STORE OR WWW.ROOMSTOGO.COM WITH SERVICE OR PARTS REPLACEMENT REQUEST.

This product is manufactured by (JSFC) for **ROOMS TO GO® | KIDS**