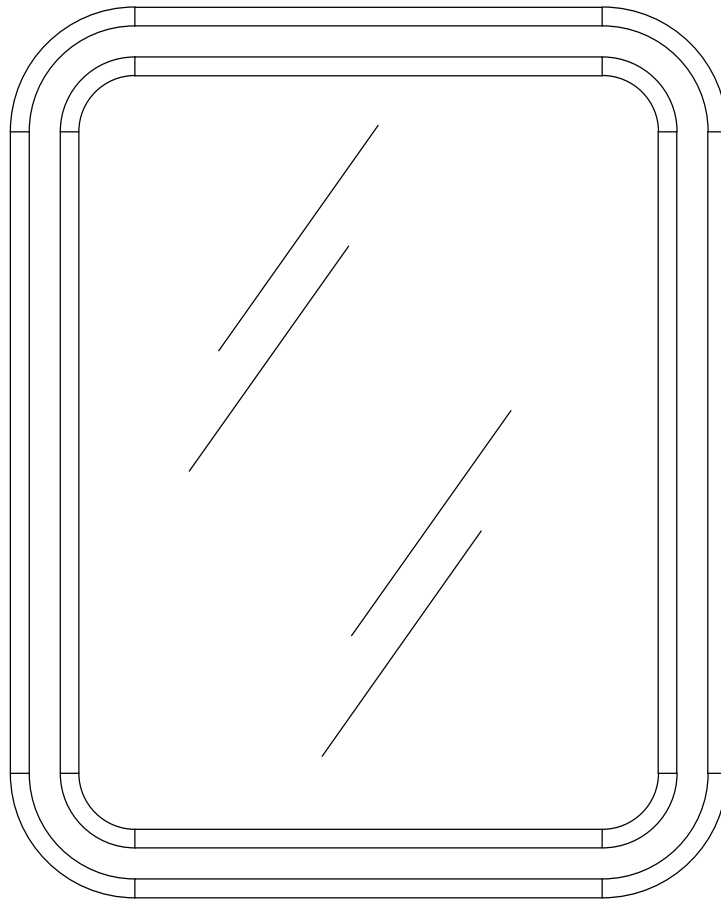




MODERN COLORS

MIRROR



SKU#	STYLE	COLOR	ITEM DESCRIPTION
34042541	425MR-W	WHITE	MIRROR
34042539	425MR-G	LIGHT GRAY	MIRROR
34042577	425MR-PK	PINK	MIRROR
34042515	425MR-IO	IRON ORE	MIRROR
34042527	425MR-SB	SLATE BLUE	MIRROR

MIRROR PART LIST			
	ITEM DESCRIPTION	IMAGE	QTY
A	MIRROR		1 PC
B	MIRROR BRACKETS		2 PCS


DO NOT USE SUBSTITUTE PARTS. PLEASE CONTACT YOUR RETAIL STORE OR WWW.ROOMSTOGO.COM WITH SERVICE OR PARTS REPLACEMENT REQUEST.

This product is manufactured by (JSFC) for **ROOMS TO GO® | KIDS**


MODERN COLORS

MIRROR

HARDWARE LIST

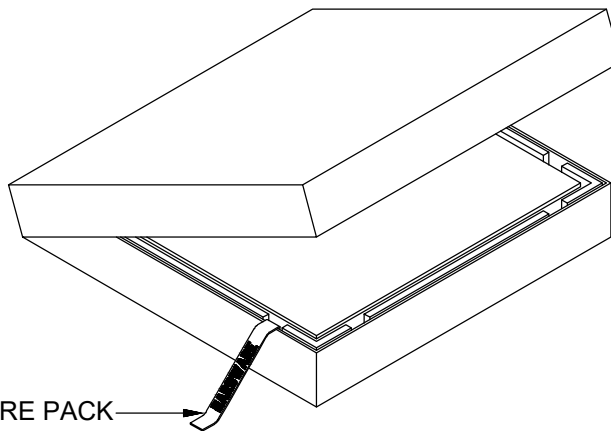
	ITEM DISCRIPTION	IMAGE	QTY
1	ALLEN KEY 4mm		1 PC

MIRROR SUPPORT BAR PRE -ASSEMBLED HARDWARE LIST

	ITEM DESCRIPTION	IMAGE	QTY
2	BOLT Ø1/4*13*1-1/2"L		8 PCS
	SPRING WASHER Ø1/4*12*1.2MM		8 PCS
	FLAT WASHER Ø1/4*19*1.5MM		8 PCS
	THREADED WASHER Ø1/4-19X10MM		8 PCS

HARDWARE PACK LOCATION

SKU#	STYLE	COLOR	ITEM DESCRIPTION
34042541	425MR-W	WHITE	MIRROR
34042539	425MR-G	LIGHT GRAY	MIRROR
34042577	425MR-PK	PINK	MIRROR
34042515	425MR-IO	IRON ORE	MIRROR
34042527	425MR-SB	SLATE BLUE	MIRROR



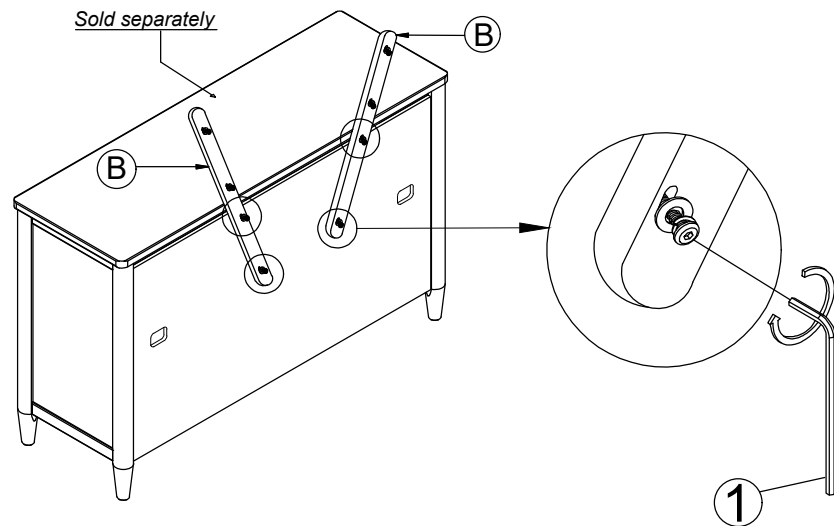
DO NOT USE SUBSTITUTE PARTS. PLEASE CONTACT YOUR RETAIL STORE OR WWW.ROOMSTOGO.COM WITH SERVICE OR PARTS REPLACEMENT REQUEST.

This product is manufactured by (JSFC) for **ROOMS TO GO® | KIDS**

Thank you for purchasing this quality product. Be sure to check all packing material carefully for small parts which may have come loose inside the carton during shipment. Identify and count all parts and compare with the parts list below. Read all instructions before assembling bed and keep these instruction for future reference.

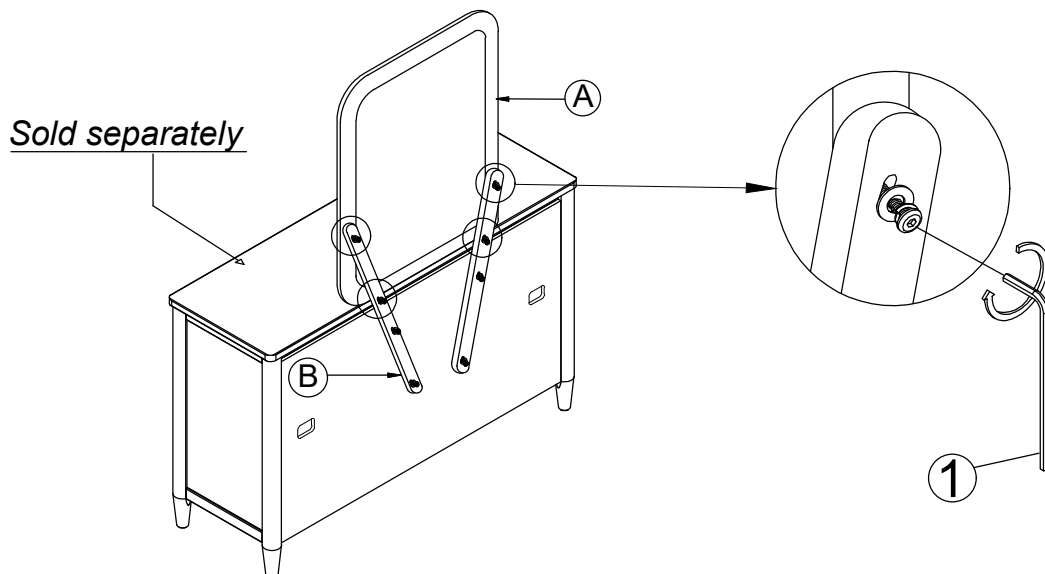
Assembly Instructions:

STEP 1



Attach Mirror Brackets (B) to the back of Dresser (Sold separately): Align the pre-assembled bolts on the Mirror Brackets (B) with the pre-drilled holes on the Dresser, tighten the pre-assembled bolts using Allen Key (1) provided.

STEP 2



Attach Mirror (A) to Mirror Brackets (B) : Align the pre- assembled bolts on the Mirror Brackets (B) with the pre- drilled holes on the Mirror (A) , tighten the pre-assembled bolts using Allen Key (1) provided.

DO NOT USE SUBSTITUTE PARTS. PLEASE CONTACT YOUR RETAIL STORE OR WWW.ROOMSTOGO.COM WITH SERVICE OR PARTS REPLACEMENT REQUEST.

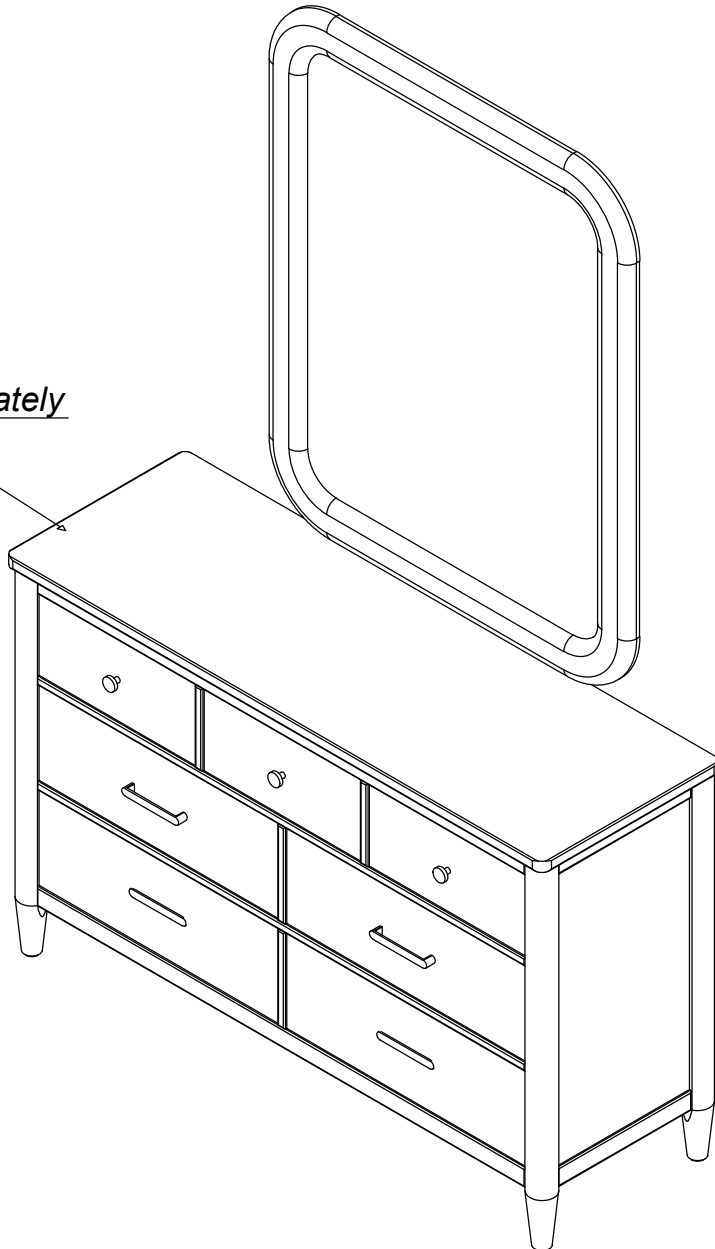
This product is manufactured by (JSFC) for **ROOMS TO GO® | KIDS**

Thank you for purchasing this quality product. Be sure to check all packing material carefully for small parts which may have come loose inside the carton during shipment. Identify and count all parts and compare with the parts list below. Read all instructions before assembling bed and keep these instruction for future reference.

Assembly Instructions:

COMPLETED

Sold separately



DO NOT USE SUBSTITUTE PARTS. PLEASE CONTACT YOUR RETAIL STORE OR WWW.ROOMSTOGO.COM WITH SERVICE OR PARTS REPLACEMENT REQUEST.

This product is manufactured by (JSFC) for **ROOMS TO GO® | KIDS**