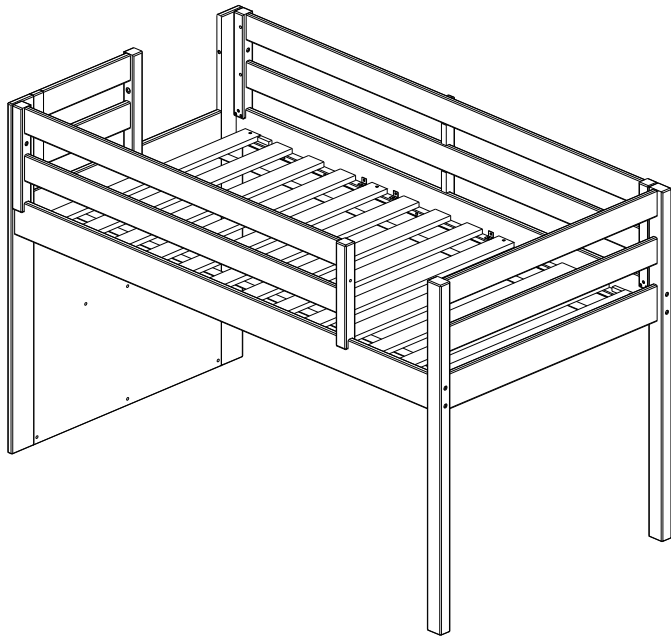


# FANTASY FORT

## TWIN LOW LOFT

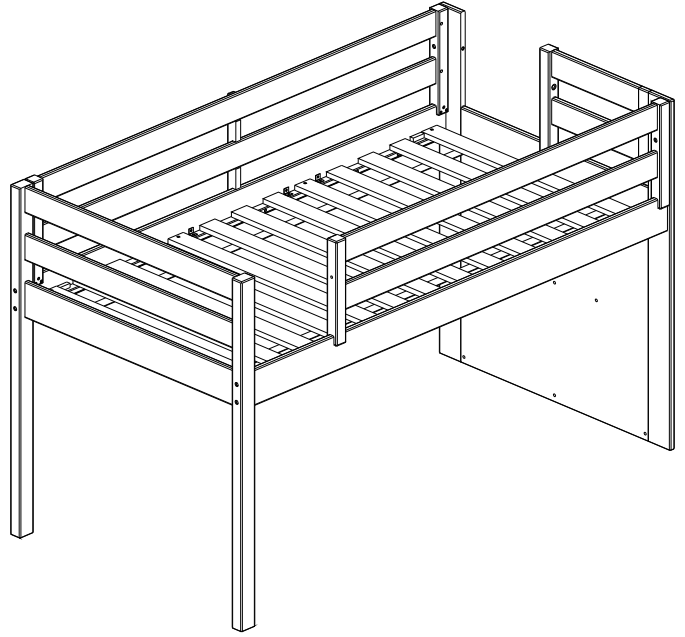
### OPTION 1:

Twin Low Loft Bed with  
Opening Bed End on the LEFT



### OPTION 2:

Twin Low Loft Bed with  
Opening Bed End on the RIGHT



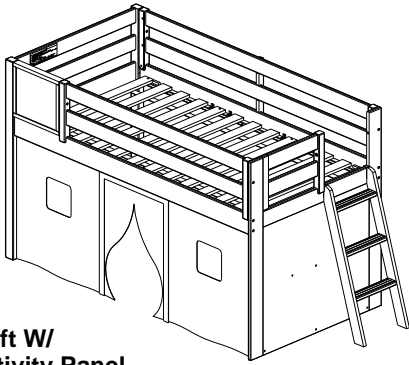
**Use only correct mattress dimensions and Bunkie board:  
Twin size mattress- 74" - 75" long and 37.5 - 38.5" wide  
Twin size Bunkie board - 74" long and 37.5" wide**

DO NOT USE SUBSTITUTE PARTS.  
PLEASE CONTACT YOUR RETAIL STORE OR [WWW.ROOMSTOGO.COM](http://WWW.ROOMSTOGO.COM) WITH SERVICE OR PARTS  
REPLACEMENT REQUEST

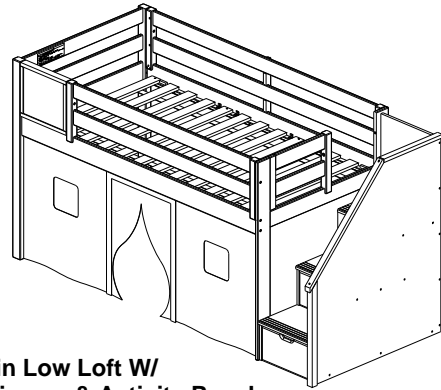
This product is manufactured by (SRCE) for **ROOMS TO GO** | **KIDS**

# FANTASY FORT

## TWIN LOW LOFT



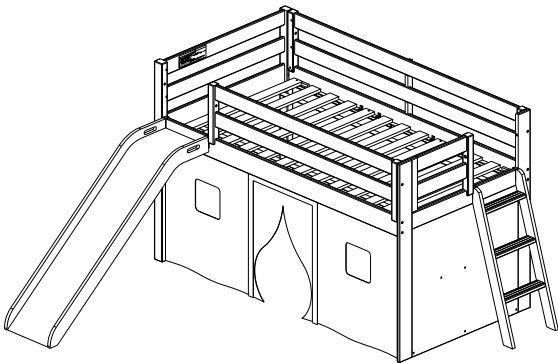
**Twin Low Loft W/  
Ladder & Activity Panel**



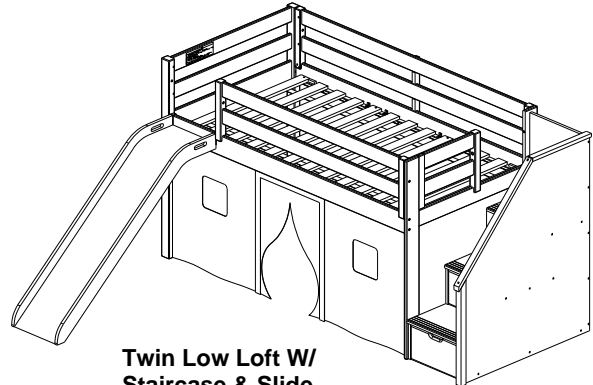
**Twin Low Loft W/  
Staircase & Activity Panel**

RTG SKU #	STYLE #	ITEM DESCRIPTION
<b>3485227P</b>		<b>LOW LOFT W/ LADDER &amp; ACTIVITY PANEL &amp; UNDERBED CURTAINS // TO MODIFY</b>
36506749		LICENSED UNDERBED CURTAINS // TO MODIFY
<b>3405227P</b>		<b>TWIN LOW LOFT w/ LADDER &amp; ACTIVITY PANEL - WHITE</b>
34052275	5227390101	2PC BED ENDS W/ SLAT ROLL
34152277	5227460101	4PC RAIL SET
34452273	5227410101	LADDER
34652277	5227430101	ACTIVITY PANEL

RTG SKU #	STYLE #	ITEM DESCRIPTION
<b>3505227P</b>		<b>TWIN LOW LOFT w/ STAIRCASE &amp; ACTIVITY PANEL &amp; UNDERBED CURTAINS // TO MODIFY</b>
36506749		LICENSED UNDERBED CURTAINS // TO MODIFY
<b>3425227P</b>		<b>TWIN LOW LOFT w/ STAIRCASE &amp; ACTIVITY PANEL - WHITE</b>
34052275	5227390101	2PC BED ENDS W/ SLAT ROLL
34152277	5227460101	4PC RAIL SET
34252279	5227400101	STAIRCASE
34352271	5227480101	STAIRCASE END PANEL
34652277	5227430101	ACTIVITY PANEL



**Twin Low Loft W/  
Ladder & Slide**



**Twin Low Loft W/  
Staircase & Slide**

RTG SKU #	STYLE #	ITEM DESCRIPTION
<b>3495227P</b>		<b>TWIN LOW LOFT w/ LADDER &amp; SLIDE &amp; UNDERBED CURTAINS // TO MODIFY</b>
36506749		LICENSED UNDERBED CURTAINS // TO MODIFY
<b>3415227P</b>		<b>TWIN LOW LOFT w/ LADDER &amp; SLIDE - WHITE</b>
34052275	5227390101	2PC BED ENDS W/ SLAT ROLL
34152277	5227460101	4PC RAIL SET
34452273	5227410101	LADDER
34552275	5227420101	SLIDE

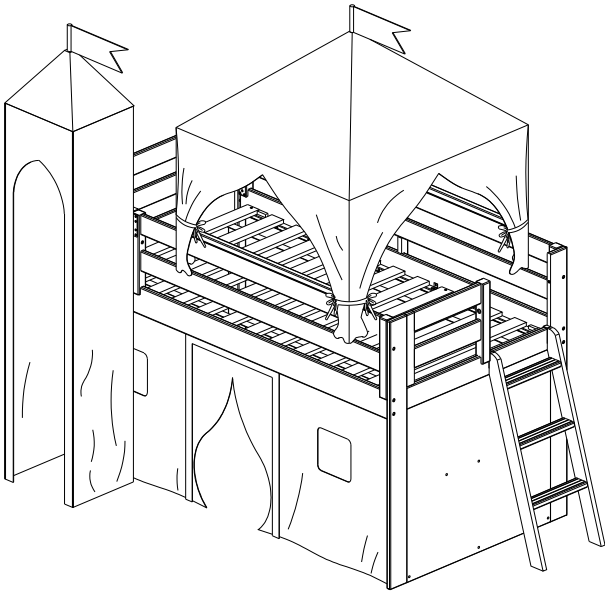
RTG SKU #	STYLE #	ITEM DESCRIPTION
<b>3515227P</b>		<b>TWIN LOW LOFT w/ STAIRCASE &amp; SLIDE &amp; UNDERBED CURTAINS // TO MODIFY</b>
36506749		LICENSED UNDERBED CURTAINS // TO MODIFY
<b>3435227P</b>		<b>TWIN LOW LOFT w/ STAIRCASE &amp; SLIDE - WHITE</b>
34052275	5227390101	2PC BED ENDS W/ SLAT ROLL
34152277	5227460101	4PC RAIL SET
34252279	5227400101	STAIRCASE
34352271	5227480101	STAIRCASE END PANEL
34552275	5227420101	SLIDE

DO NOT USE SUBSTITUTE PARTS.  
PLEASE CONTACT YOUR RETAIL STORE OR [WWW.ROOMSTOGO.COM](http://WWW.ROOMSTOGO.COM) WITH SERVICE OR PARTS REPLACEMENT REQUEST

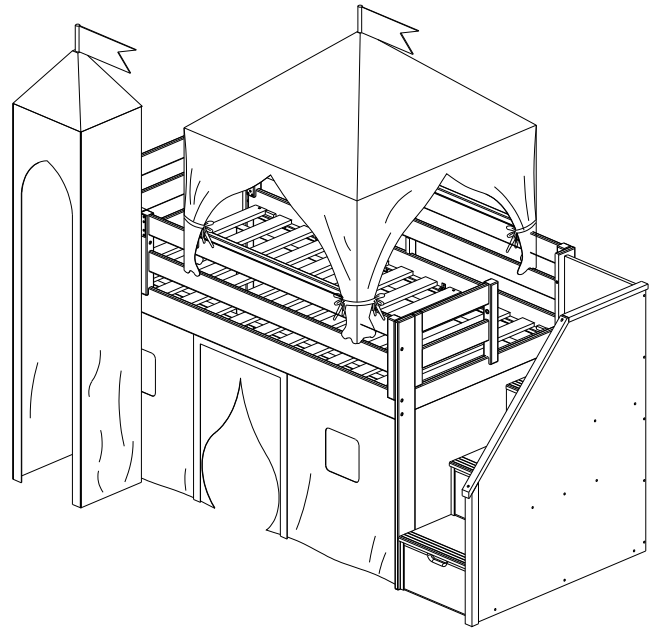
This product is manufactured by (SRCE) for **ROOMS TO GO® | KIDS**

# FANTASY FORT

## TWIN LOW LOFT



**Twin Low Loft W/ Top & Tower Tent Frames W/ Ladder & Activity Panel**



**Twin Low Loft W/ Tower & Top Frames W/ Staircase & Activity Panel**

RTG SKU #	STYLE #	ITEM DESCRIPTION
<b>3525227P</b>		<b>TWIN LOW LOFT W/ TOP &amp; TOWER TENT FRAMES w/ LADDER &amp; ACTIVITY PANEL &amp; UNDERBED CURTAINS &amp; UPPER CURTAINS // TO MODIFY</b>
36506749		LICENSED UNDERBED CURTAINS // TO MODIFY
36606741		LICENSED TOP & TOWER CURTAINS // TO MODIFY
<b>3445227P</b>		<b>TWIN LOW LOFT W/ TOP &amp; TOWER TENT FRAMES w/ LADDER &amp; ACTIVITY PANEL - WHITE</b>
34052275	5227390101	2PC BED ENDS W/ SLAT ROLL
34152277	5227460101	4PC RAIL SET
34452273	5227410101	LADDER
34652277	5227430101	ACTIVITY PANEL
34752279	5227440101	TOP & TOWER TENT FRAMES

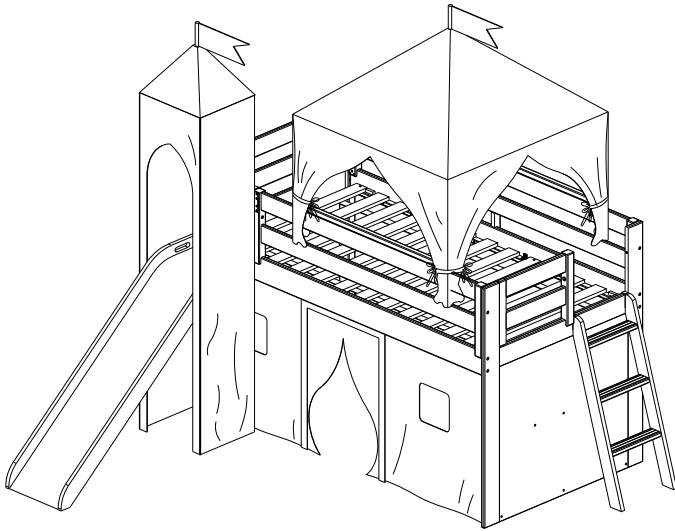
RTG SKU #	STYLE #	ITEM DESCRIPTION
<b>3545227P</b>		<b>TWIN LOW LOFT W/ TOWER &amp; TOP FRAMES w/ STAIRCASE &amp; ACTIVITY PANEL &amp; LOWER &amp; UPPER CURTAINS // TO MODIFY</b>
36506749		LICENSED UNDERBED CURTAINS // TO MODIFY
36606741		LICENSED TOP & TOWER CURTAINS // TO MODIFY
<b>3465227P</b>		<b>TWIN LOW LOFT W/ TOWER &amp; TOP FRAMES w/ STAIRCASE &amp; ACTIVITY PANEL - WHITE</b>
34052275	5227390101	2PC BED ENDS W/ SLAT ROLL
34152277	5227460101	4PC RAIL SET
34252279	5227400101	STAIRCASE
34352271	5227480101	STAIRCASE END PANEL
34652277	5227430101	ACTIVITY PANEL
34752279	5227440101	TOP & TOWER TENT FRAMES

DO NOT USE SUBSTITUTE PARTS.  
PLEASE CONTACT YOUR RETAIL STORE OR [WWW.ROOMSTOGO.COM](http://WWW.ROOMSTOGO.COM) WITH SERVICE OR PARTS REPLACEMENT REQUEST

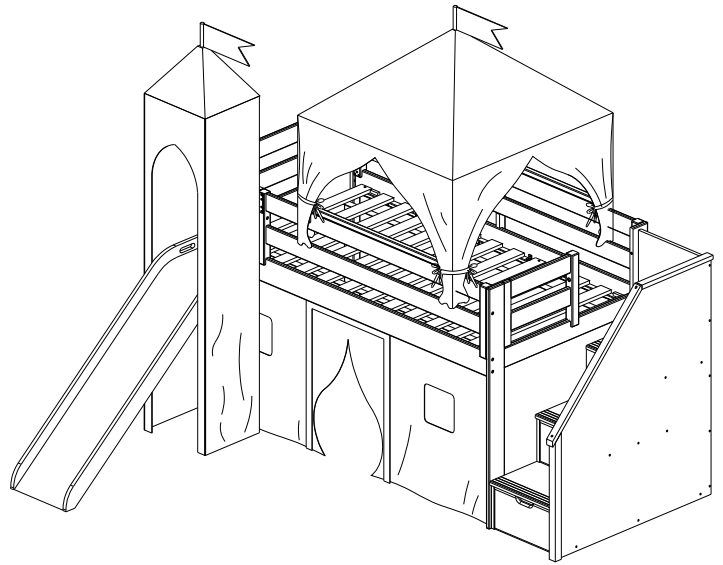
This product is manufactured by **(SRCE)** for **ROOMS TO GO® | KIDS**

# FANTASY FORT

## TWIN LOW LOFT



**Twin Low Loft W/ Top & Tower Tent Frames W/ Ladder & Slide**



**Twin Low Loft W/ Tower & Top Frames W/ Staircase & Slide**

RTG SKU #	STYLE #	ITEM DESCRIPTION
3535227P		TWIN LOW LOFT W/ TOP & TOWER TENT FRAMES, w/ LADDER & SLIDE & UNDERBED & UPPER CURTAINS // TO MODIFY
36506749		LICENSED UNDERBED CURTAINS // TO MODIFY
36606741		LICENSED TOP & TOWER CURTAINS // TO MODIFY
3455227P		TWIN LOW LOFT W/ TOP & TOWER TENT FRAMES, w/ LADDER & SLIDE - WHITE
34052275	5227390101	2PC BED ENDS W/ SLAT ROLL
34152277	5227460101	4PC RAIL SET
34452273	5227410101	LADDER
34552275	5227420101	SLIDE
34752279	5227440101	TOP & TOWER TENT FRAMES

RTG SKU #	STYLE #	ITEM DESCRIPTION
3555227P		TWIN LOW LOFT W/ TOP TENT, TOWER, w/ STAIRCASE & SLIDE & LOWER & UPPER CURTAINS // TO MODIFY
36506749		LICENSED UNDERBED CURTAINS // TO MODIFY
36606741		LICENSED TOP & TOWER CURTAINS // TO MODIFY
3475227P		TWIN LOW LOFT W/ TOP TENT, TOWER, w/ STAIRCASE & SLIDE - WHITE
34052275	5227390101	2PC BED ENDS W/ SLAT ROLL
34152277	5227460101	4PC RAIL SET
34252279	5227400101	STAIRCASE
34352271	5227480101	STAIRCASE END PANEL
34552275	5227420101	SLIDE
34752279	5227440101	TOP & TOWER TENT FRAMES

DO NOT USE SUBSTITUTE PARTS.  
PLEASE CONTACT YOUR RETAIL STORE OR [WWW.ROOMSTOGO.COM](http://WWW.ROOMSTOGO.COM) WITH SERVICE OR PARTS REPLACEMENT REQUEST

This product is manufactured by (SRCE) for ROOMS TO GO® | KIDS

# MATTRESS AND BUNKIE BOARD CHART

PACKAGE	DESCRIPTION	TOP BED
3405227P WHITE	Twin Low Loft W/ Ladder & Activity Panel	Twin Mattress Twin Bunkie board recommended
3415227P WHITE	Twin Low Loft W/ Ladder & Slide	Twin Mattress Twin Bunkie board recommended
3425227P WHITE	Twin Low Loft W/ Staircase & Activity Panel	Twin Mattress Twin Bunkie board recommended
3435227P WHITE	Twin Low Loft W/ Staircase & Slide	Twin Mattress Twin Bunkie board recommended
3445227P WHITE	Twin Low Loft W/ Top & Tower Tent Frames W/ Ladder & Activity Panel	Twin Mattress Twin Bunkie board recommended
3455227P WHITE	Twin Low Loft W/ Top & Tower Tent Frames, W/ Ladder & Slide	Twin Mattress Twin Bunkie board recommended
3465227P WHITE	Twin Low Loft W/ Tower & Top Frames W/ Staircase & Activity Panel	Twin Mattress Twin Bunkie board recommended
3475227P WHITE	Twin Low Loft W/ Top Tent, Tower, W/ Staircase & Slide	Twin Mattress Twin Bunkie board recommended

**Use only correct mattress dimensions and Bunkie board:  
Twin size mattress- 74" - 75" long and 37.5 - 38.5" wide  
Twin size Bunkie board - 74" long and 37.5" wide**

DO NOT USE SUBSTITUTE PARTS.  
PLEASE CONTACT YOUR RETAIL STORE OR [WWW.ROOMSTOGO.COM](http://WWW.ROOMSTOGO.COM) WITH SERVICE OR PARTS  
REPLACEMENT REQUEST

This product is manufactured by **(SRCE)** for **ROOMS TO GO** | **KIDS**



## WARNING DANGER:

Failure to follow these warnings and assembly instructions could result in serious injury or death. To help prevent serious or fatal injuries from entrapment or falls:

-Read all instructions before assembling bunk bed and keep these instructions for future reference.

-Before each usage or assembly, inspect bunk bed for damaged hardware, loose joints, missing parts, or sharp edges. DO NOT use bunk bed if any parts are missing or broken.

-DO NOT use substitute parts. Contact your local Rooms To Go or visit [www.ROOMSTOGO.com](http://www.ROOMSTOGO.com) for replacement parts and instructional literature if needed.

-Follow the information on the warnings appearing on the upper bunk end structure and on the carton.

### **DO NOT REMOVE WARNING LABEL FROM BED**

-Always use the recommended size mattresses or mattress supports, or both, to help prevent the likelihood of entrapment or falls.

-Ensure thickness of mattress and foundation combined does not exceed **10** inches and mattress surface is at least 5 inches (127mm) below upper edge of guardrails for the upper bunk.

-Do not allow children under 6 years of age to use the upper bunk.

-Periodically check and ensure that the guardrail, ladder, and other components are in their proper position, free from damage, and that all connectors are tight.

-Do not allow horseplay on or under the bed and prohibit jumping on the bed.

-Limit top bunk use to one person.

-Always use the ladder for entering and leaving the upper bunk.

-Use of a night light may provide added safety precaution for a child using the upper bunk.

-Always use guardrails on both long sides of the upper bunk. If the bunk bed will be placed next to the wall, the guardrail that runs the full length of the bed should be placed against the wall to prevent entrapment between the bed and wall.

-The use of water or sleep flotation mattresses is prohibited.

-This bunk bed meets all the requirement of ASTM F1427-21e1 standard consumer safety specification for bunk beds.



## STRANGULATION HAZARD:

Never attach or hang items to any part of the bunk bed that are not designed for use with the bed; for example, but not limited to, hooks, belts and jump ropes.

DO NOT USE SUBSTITUTE PARTS.  
PLEASE CONTACT YOUR RETAIL STORE OR [WWW.ROOMSTOGO.COM](http://WWW.ROOMSTOGO.COM) WITH SERVICE OR PARTS  
REPLACEMENT REQUEST

This product is manufactured by **(SRCE)** for **ROOMS TO GO** | **KIDS**

## Pre - Assembly

### Warning:

The bed slats included with this bed will support a mattress alone, this bed does not require Bunkie boards (sold separately) but they are recommended.

Read all the instructions, identify all components, choose your configuration, and be sure you have all parts prior to assembly.

Two people are needed to assemble.

### Tools Needed:

Phillips heads screwdriver (not included)

4mm allen wrench (included)

**MAKE SURE ALL BOLTS ARE TIGHTENED COMPLETELY**

### CARE INSTRUCTIONS:

Dust with a clean, soft cloth. Avoid the use of all abrasive cleaners.

DO NOT USE SUBSTITUTE PARTS.  
PLEASE CONTACT YOUR RETAIL STORE OR [WWW.ROOMSTOGO.COM](http://WWW.ROOMSTOGO.COM) WITH SERVICE OR PARTS  
REPLACEMENT REQUEST


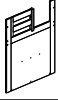

This product is manufactured by **(SRCE)** for **ROOMS TO GO** | **KIDS**

# FANTASY FORT

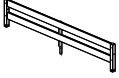

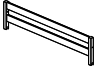
## TWIN LOW LOFT

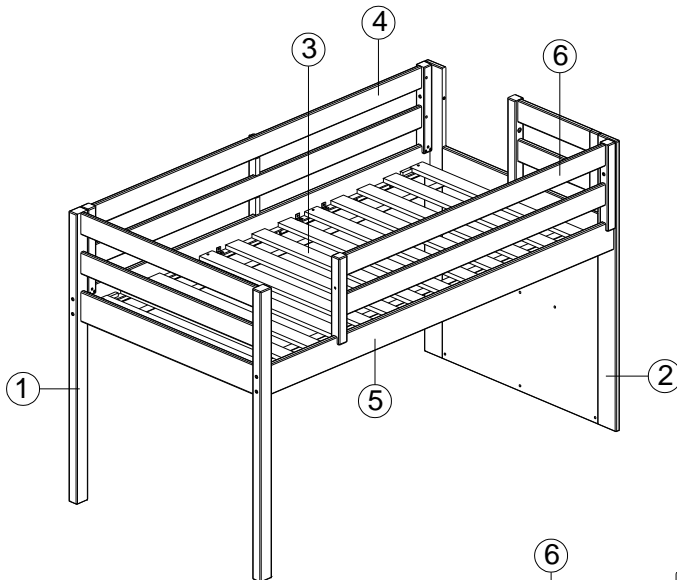
### PARTS LIST

#### 2PC BED ENDS W/ SLAT ROLL PARTS LIST

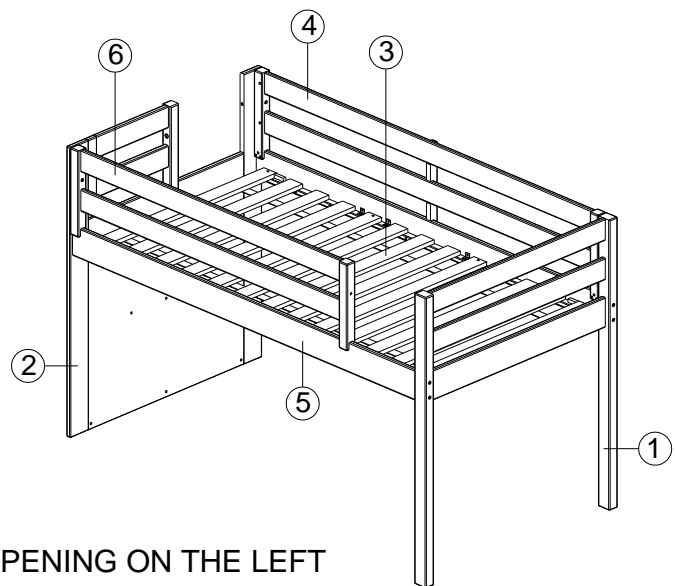
NO	ITEM DESCRIPTION	IMAGE	QTY
1	Bed end		1 PC
2	Bed end with opening		1 PC
3	Slatroll		1 SET

#### 4PC RAIL SET PARTS LIST

NO	ITEM DESCRIPTION	IMAGE	QTY
4	Long guardrail		1 PC
5	Side rails		2 PCS
6	Short guardrail		1 PC



BED END W / OPENING ON THE RIGHT



BED END W / OPENING ON THE LEFT

DO NOT USE SUBSTITUTE PARTS.  
PLEASE CONTACT YOUR RETAIL STORE OR [WWW.ROOMSTOGO.COM](http://WWW.ROOMSTOGO.COM) WITH SERVICE OR PARTS REPLACEMENT REQUEST






This product is manufactured by **(SRCE)** for **ROOMS TO GO® | KIDS**

# FANTASY FORT

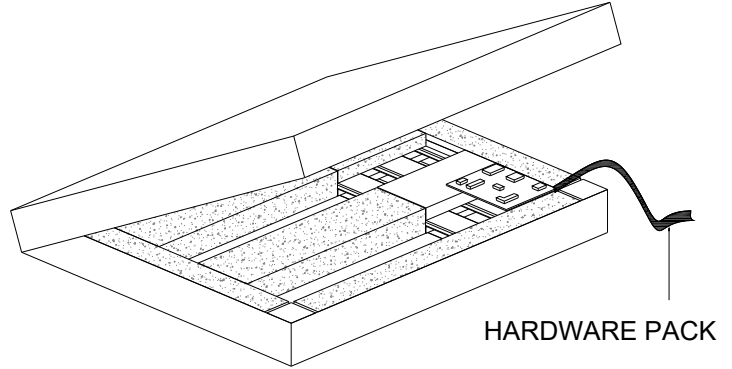
## TWIN LOW LOFT

### HARDWARE LIST & HARDWARE PACK LOCATION


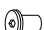
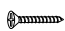


#### 2PC BED ENDS W/ SLAT ROLL HARDWARE LIST

NO	ITEM DESCRIPTION	IMAGE	QTY
A	Bolt M6-1.0 x 75mm		4 PCS
B	Bolt M6-1.0 x 35mm		4 PCS
C	Wood Screw 4x30mm		8 PCS
AA	Allen Key 4mm		2 PCS
	Philips Screw Driver (Not provided)		1 PC

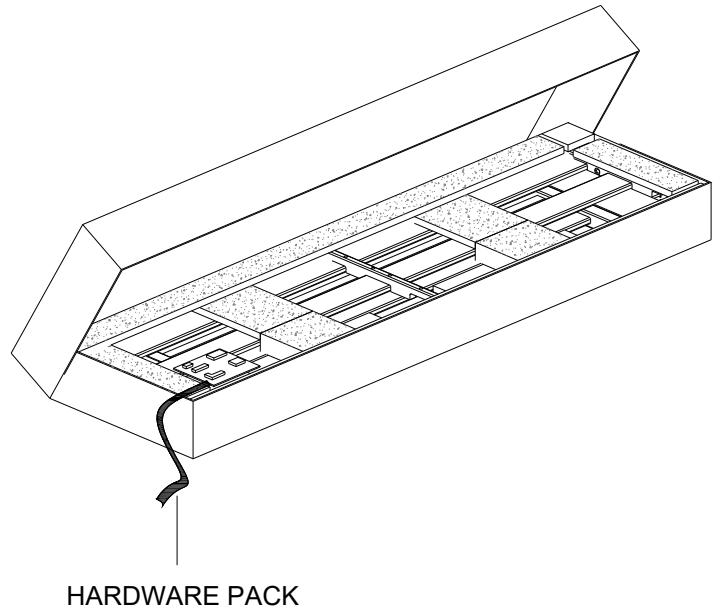
RTG SKU#	STYLE	COLOR	ITEM DESCRIPTION
34052275	5227390101	WHITE	2PC BED ENDS W/ SLAT ROLL



#### 4PC RAIL SET HARDWARE LIST

NO	ITEM DESCRIPTION	IMAGE	QTY
D	Bolt M6-1.0 x 55mm		3 PCS
E	Joint Connector Nut M6 x 13mm		2 PCS
F	Wood Screw 4x25mm		14 PCS
AA	Allen Key 4mm		2 PCS
	Philips screw driver (not provided)		1 PC

RTG SKU#	STYLE	COLOR	ITEM DESCRIPTION
34152277	5227460101	WHITE	4PC RAIL SET



DO NOT USE SUBSTITUTE PARTS.

PLEASE CONTACT YOUR RETAIL STORE OR [WWW.ROOMSTOGO.COM](http://WWW.ROOMSTOGO.COM) WITH SERVICE OR PARTS REPLACEMENT REQUEST

This product is manufactured by **(SRCE)** for **ROOMS TO GO® | KIDS**

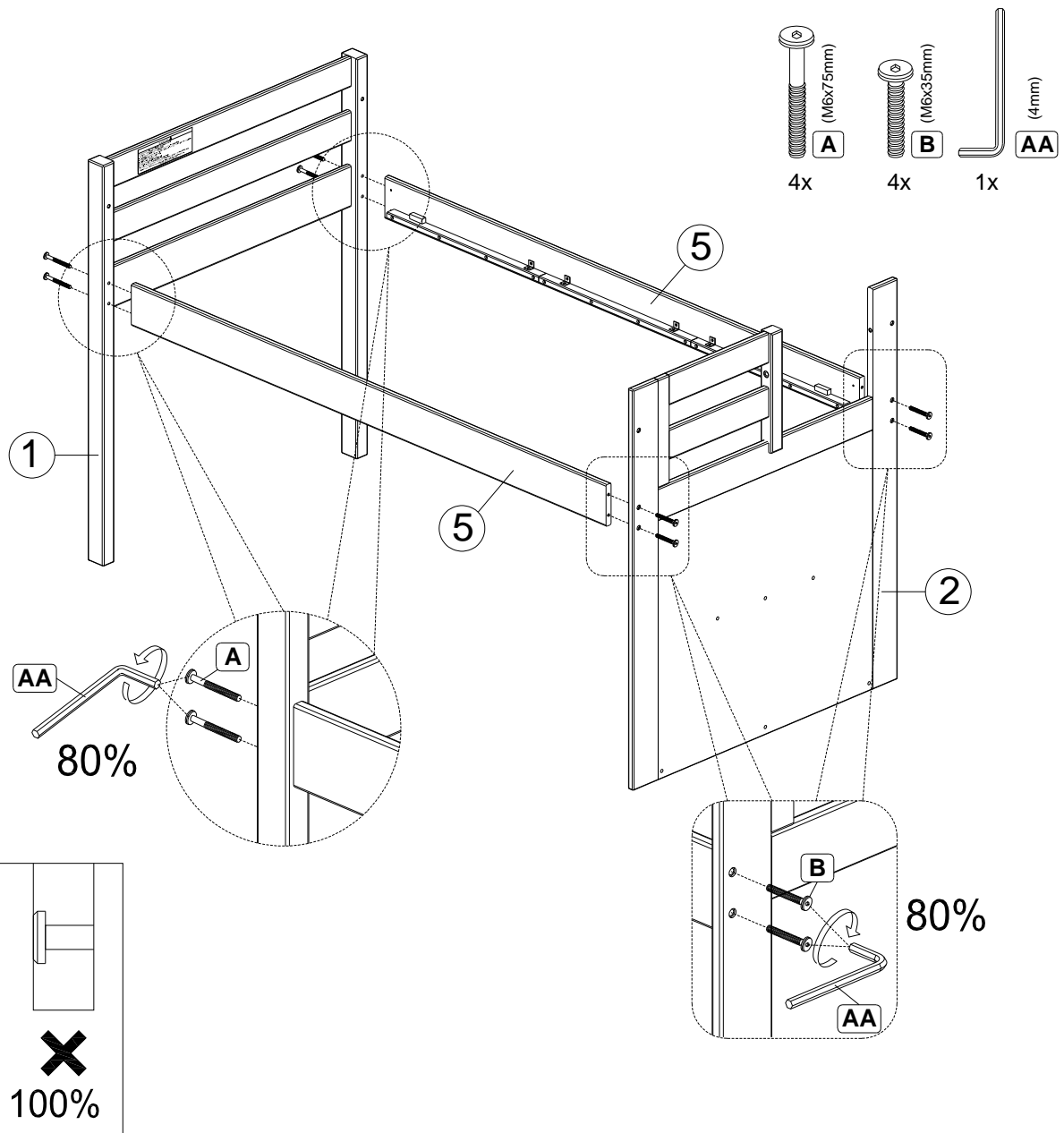
# FANTASY FORT

## TWIN LOW LOFT

Thank you for purchasing this quality product. Be sure to check all packing material carefully for small parts which may have come loose inside the carton during shipment. Identify and count all parts and compare with the parts list below. Read all instructions before assembling and keep these instructions for future reference.

### Assembly Instructions:

#### OPENING ON THE RIGHT



DO NOT USE SUBSTITUTE PARTS.

PLEASE CONTACT YOUR RETAIL STORE OR [WWW.ROOMSTOGO.COM](http://WWW.ROOMSTOGO.COM) WITH SERVICE OR PARTS REPLACEMENT REQUEST

This product is manufactured by (SRCE) for ROOMS TO GO® | KIDS

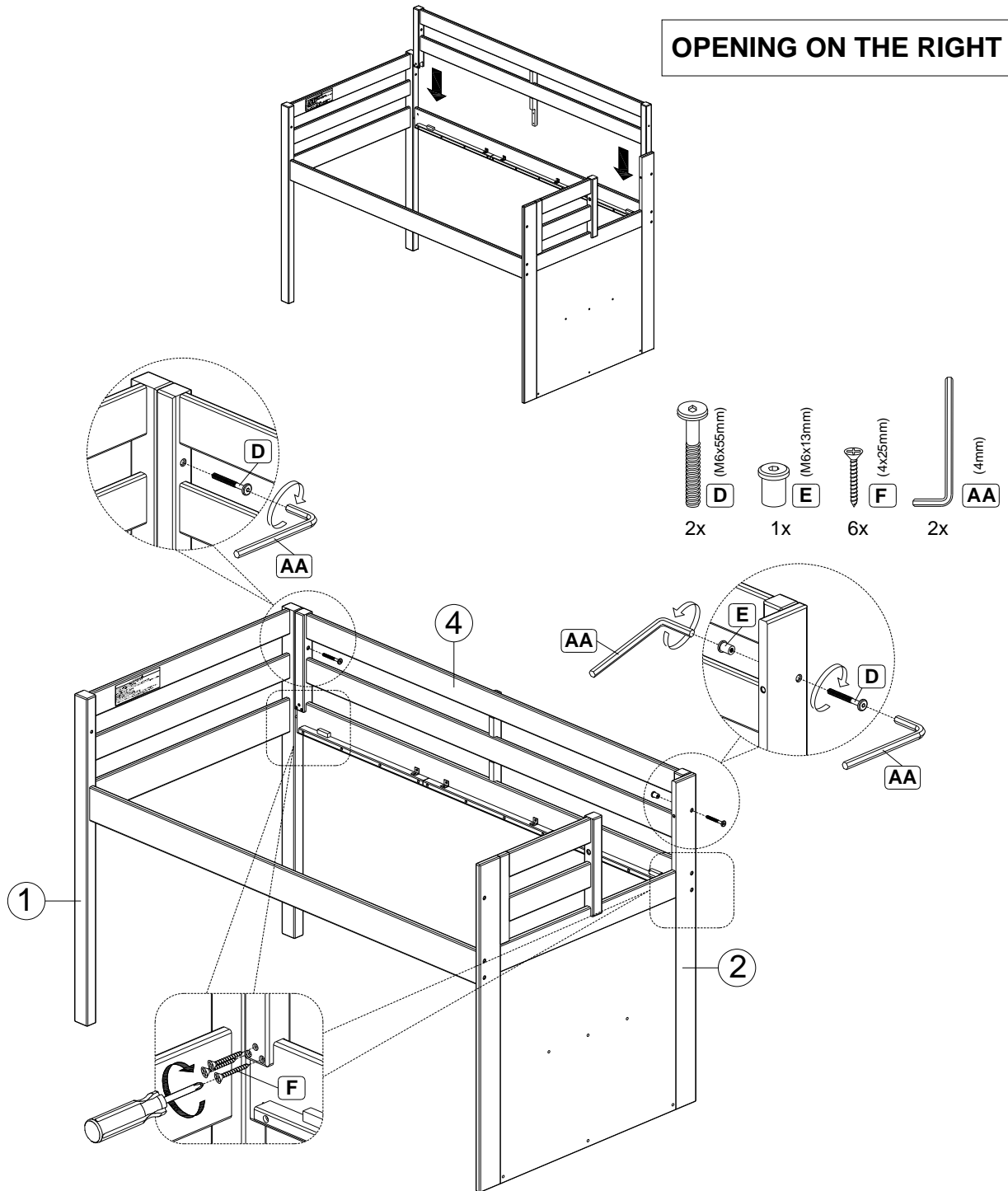
# FANTASY FORT

## TWIN LOW LOFT

Thank you for purchasing this quality product. Be sure to check all packing material carefully for small parts which may have come loose inside the carton during shipment. Identify and count all parts and compare with the parts list below. Read all instructions before assembling and keep these instructions for future reference.

### Assembly Instructions:

OPENING ON THE RIGHT



DO NOT USE SUBSTITUTE PARTS.

PLEASE CONTACT YOUR RETAIL STORE OR [WWW.ROOMSTOGO.COM](http://WWW.ROOMSTOGO.COM) WITH SERVICE OR PARTS REPLACEMENT REQUEST

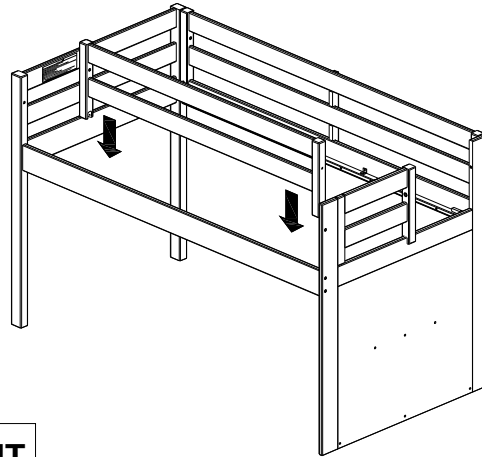
This product is manufactured by **(SRCE)** for **ROOMS TO GO® | KIDS**

# FANTASY FORT

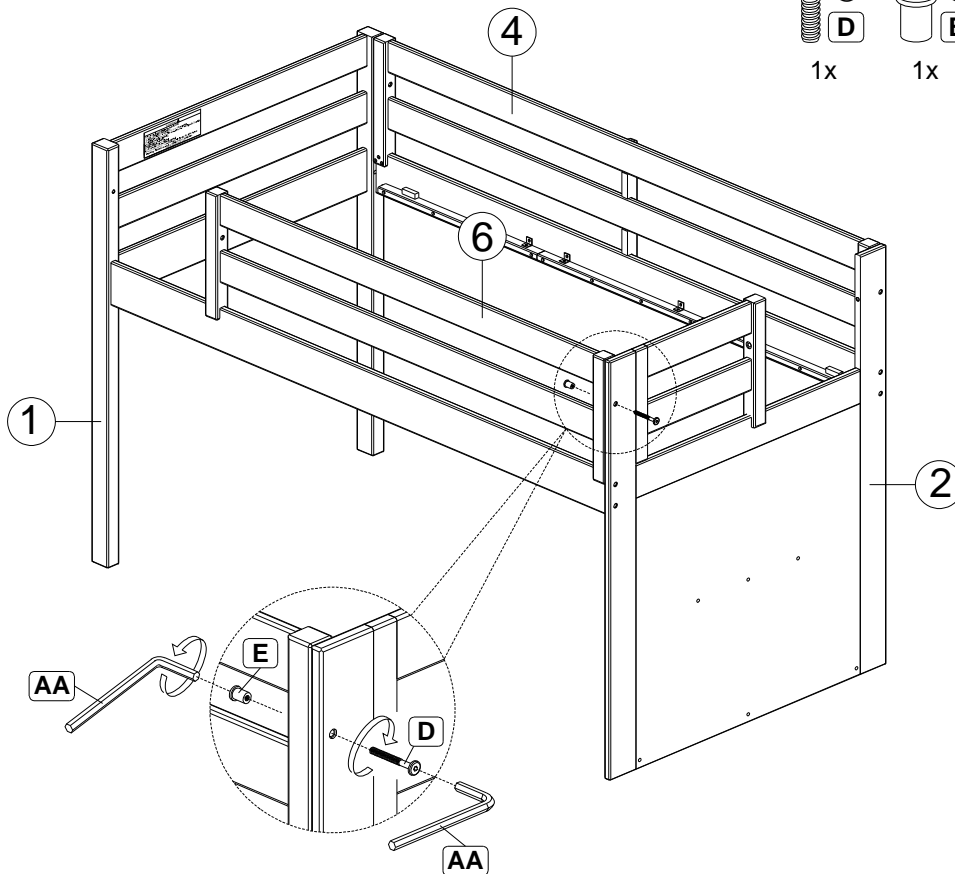
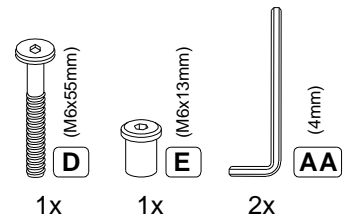
## TWIN LOW LOFT

Thank you for purchasing this quality product. Be sure to check all packing material carefully for small parts which may have come loose inside the carton during shipment. Identify and count all parts and compare with the parts list below. Read all instructions before assembling and keep these instructions for future reference.

### Assembly Instructions:



OPENING ON THE RIGHT



DO NOT USE SUBSTITUTE PARTS.

PLEASE CONTACT YOUR RETAIL STORE OR [WWW.ROOMSTOGO.COM](http://WWW.ROOMSTOGO.COM) WITH SERVICE OR PARTS REPLACEMENT REQUEST

This product is manufactured by **(SRCE)** for **ROOMS TO GO® | KIDS**

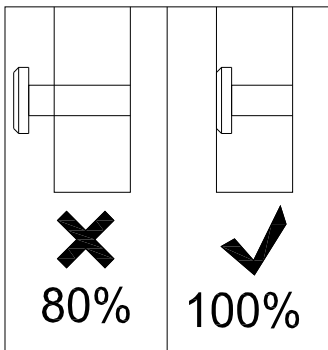
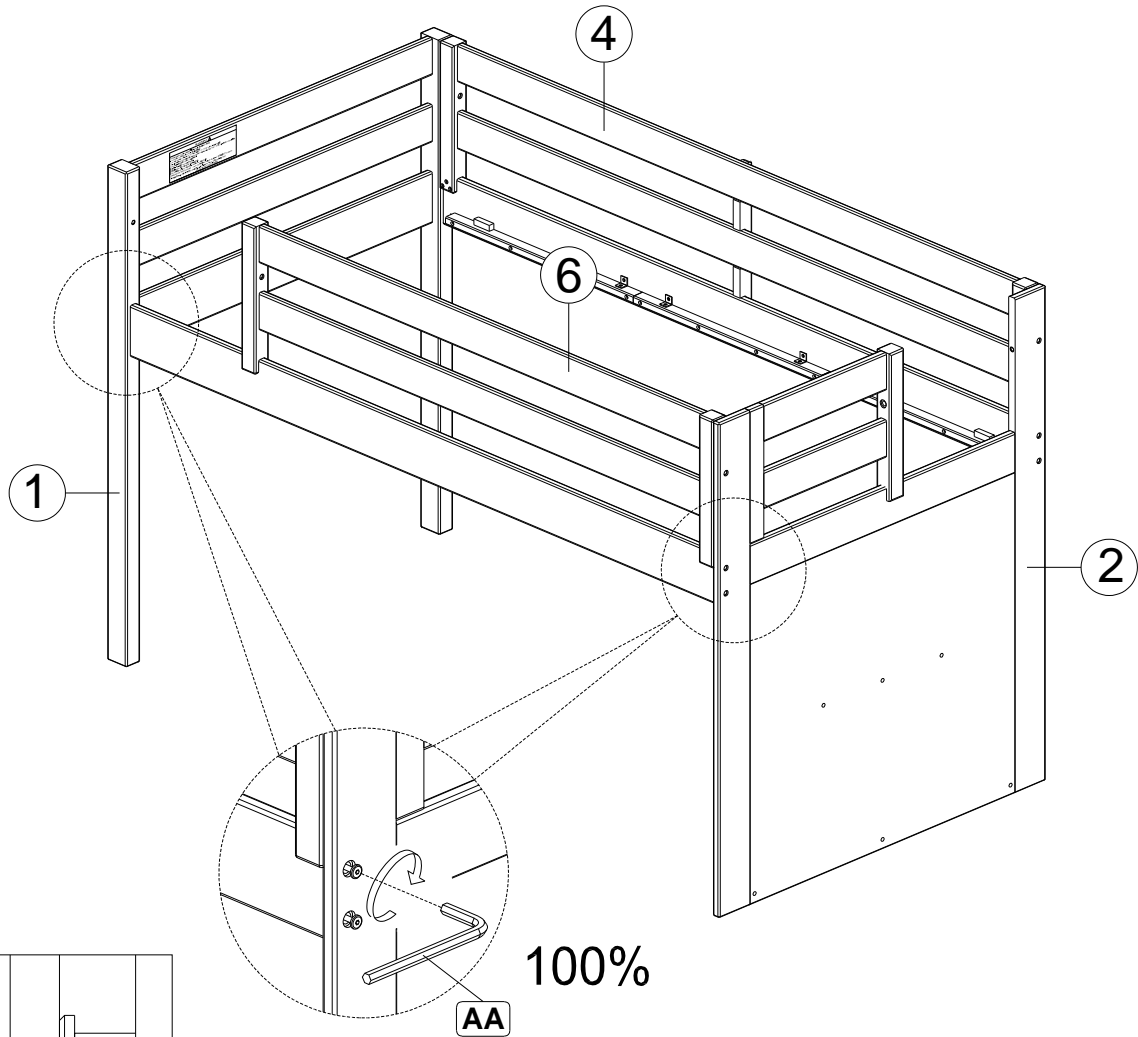
# FANTASY FORT

## TWIN LOW LOFT

Thank you for purchasing this quality product. Be sure to check all packing material carefully for small parts which may have come loose inside the carton during shipment. Identify and count all parts and compare with the parts list below. Read all instructions before assembling and keep these instructions for future reference.

### Assembly Instructions:

OPENING ON THE RIGHT



DO NOT USE SUBSTITUTE PARTS.

PLEASE CONTACT YOUR RETAIL STORE OR [WWW.ROOMSTOGO.COM](http://WWW.ROOMSTOGO.COM) WITH SERVICE OR PARTS REPLACEMENT REQUEST

This product is manufactured by (SRCE) for ROOMS TO GO® | KIDS

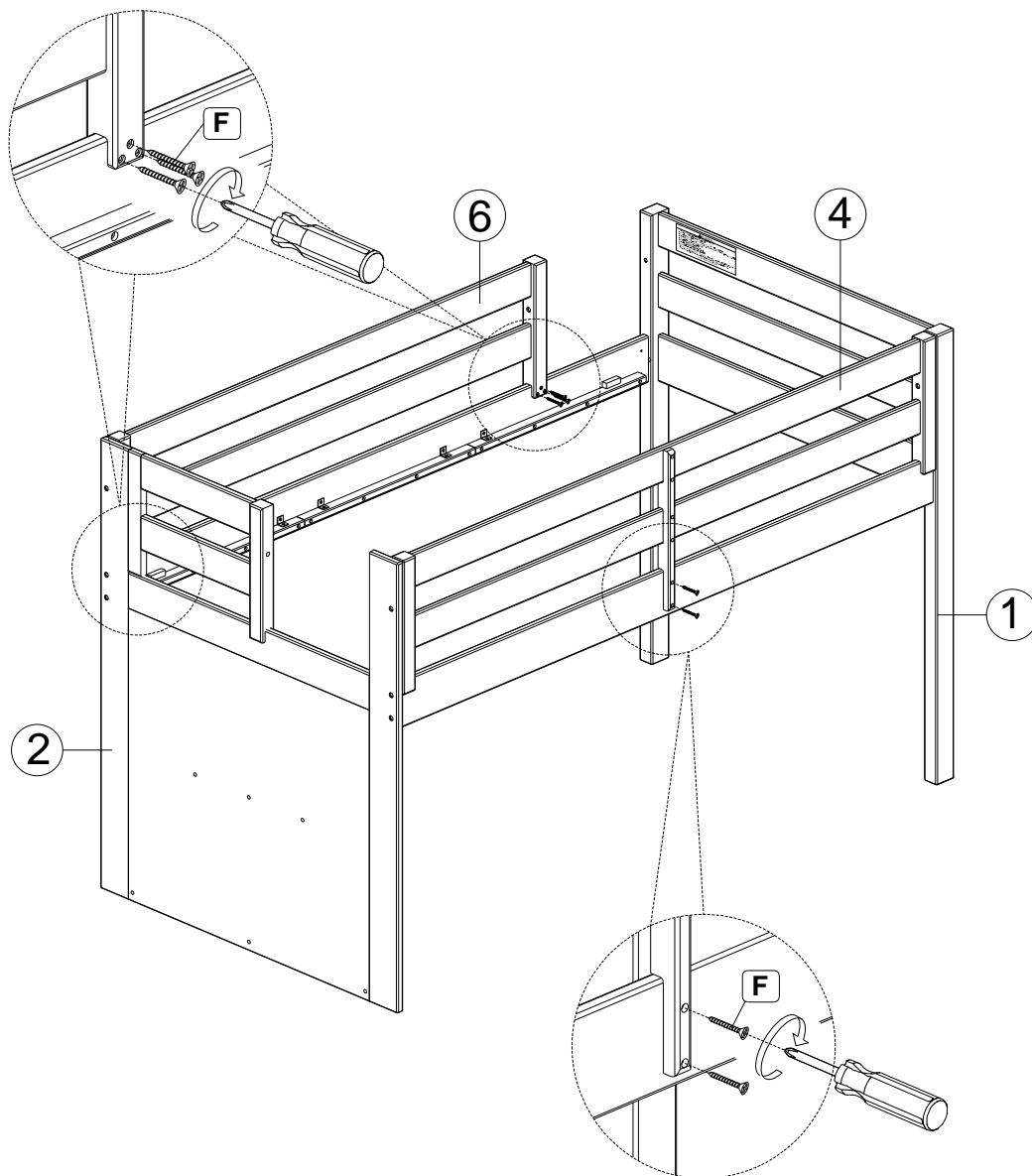
# FANTASY FORT


## TWIN LOW LOFT

Thank you for purchasing this quality product. Be sure to check all packing material carefully for small parts which may have come loose inside the carton during shipment. Identify and count all parts and compare with the parts list below. Read all instructions before assembling and keep these instructions for future reference.

### Assembly Instructions:

#### OPENING ON THE RIGHT



 (4x25mm)  
**F**  
8x

DO NOT USE SUBSTITUTE PARTS.

PLEASE CONTACT YOUR RETAIL STORE OR [WWW.ROOMSTOGO.COM](http://WWW.ROOMSTOGO.COM) WITH SERVICE OR PARTS REPLACEMENT REQUEST

This product is manufactured by **(SRCE)** for **ROOMS TO GO® | KIDS**

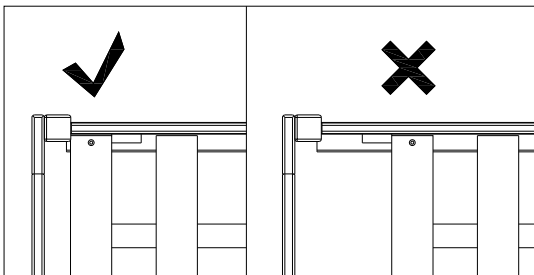
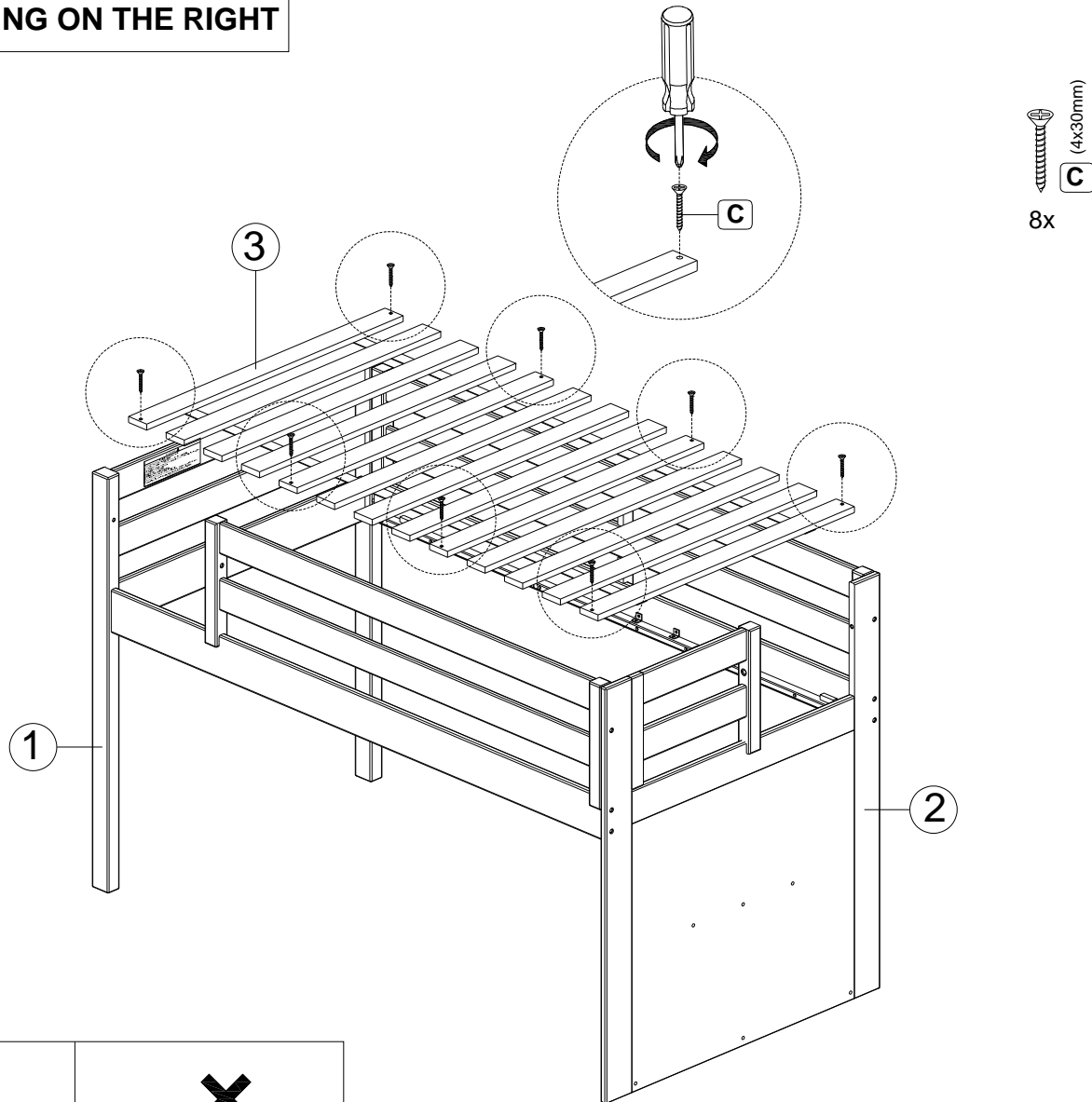
# FANTASY FORT

## TWIN LOW LOFT

Thank you for purchasing this quality product. Be sure to check all packing material carefully for small parts which may have come loose inside the carton during shipment. Identify and count all parts and compare with the parts list below. Read all instructions before assembling and keep these instructions for future reference.

### Assembly Instructions:

#### OPENING ON THE RIGHT



DO NOT USE SUBSTITUTE PARTS.  
PLEASE CONTACT YOUR RETAIL STORE OR [WWW.ROOMSTOGO.COM](http://WWW.ROOMSTOGO.COM) WITH SERVICE OR PARTS  
REPLACEMENT REQUEST

This product is manufactured by (SRCE) for ROOMS TO GO® | KIDS

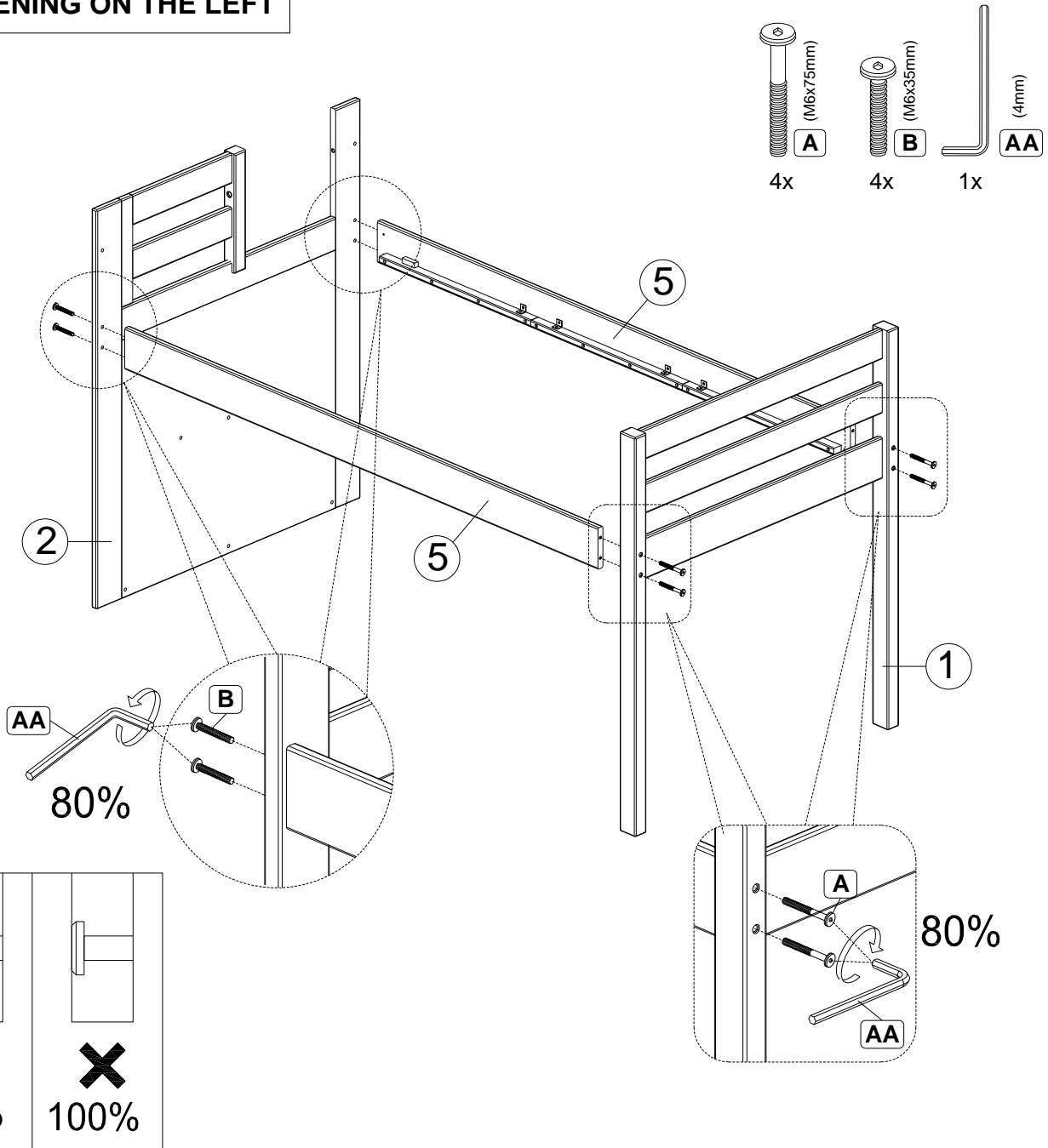
# FANTASY FORT

## TWIN LOW LOFT

Thank you for purchasing this quality product. Be sure to check all packing material carefully for small parts which may have come loose inside the carton during shipment. Identify and count all parts and compare with the parts list below. Read all instructions before assembling and keep these instructions for future reference.

### Assembly Instructions:

#### OPENING ON THE LEFT



DO NOT USE SUBSTITUTE PARTS.

PLEASE CONTACT YOUR RETAIL STORE OR [WWW.ROOMSTOGO.COM](http://WWW.ROOMSTOGO.COM) WITH SERVICE OR PARTS REPLACEMENT REQUEST

This product is manufactured by (SRCE) for ROOMS TO GO® | KIDS

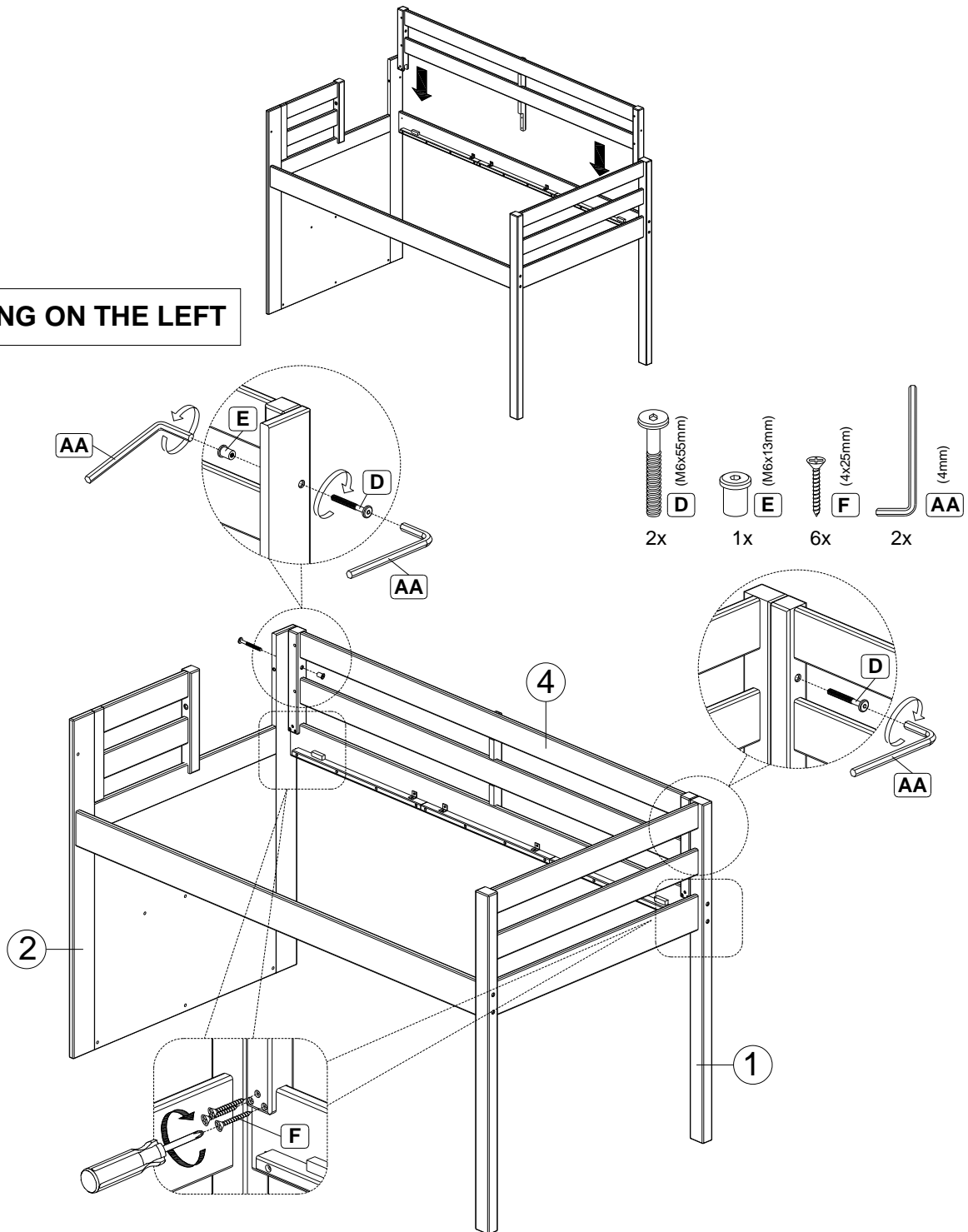
# FANTASY FORT

## TWIN LOW LOFT

Thank you for purchasing this quality product. Be sure to check all packing material carefully for small parts which may have come loose inside the carton during shipment. Identify and count all parts and compare with the parts list below. Read all instructions before assembling and keep these instructions for future reference.

### Assembly Instructions:

OPENING ON THE LEFT



DO NOT USE SUBSTITUTE PARTS.

PLEASE CONTACT YOUR RETAIL STORE OR [WWW.ROOMSTOGO.COM](http://WWW.ROOMSTOGO.COM) WITH SERVICE OR PARTS REPLACEMENT REQUEST

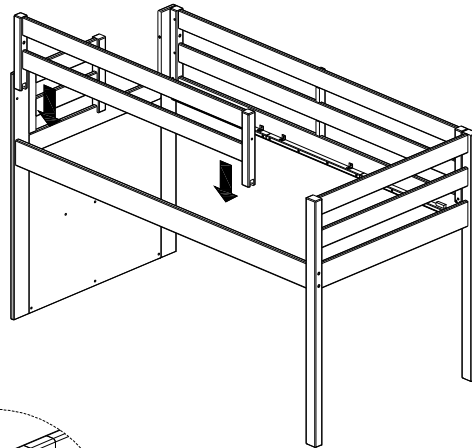
This product is manufactured by (SRCE) for ROOMS TO GO® | KIDS

# FANTASY FORT

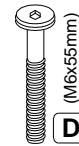
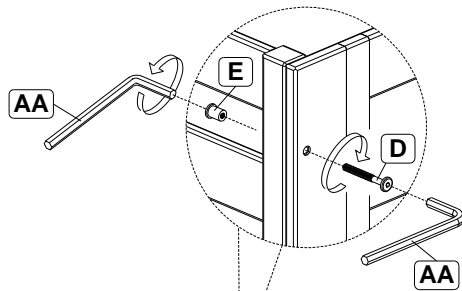
## TWIN LOW LOFT

Thank you for purchasing this quality product. Be sure to check all packing material carefully for small parts which may have come loose inside the carton during shipment. Identify and count all parts and compare with the parts list below. Read all instructions before assembling and keep these instructions for future reference.

### Assembly Instructions:



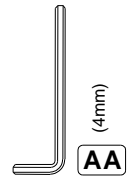
OPENING ON THE LEFT



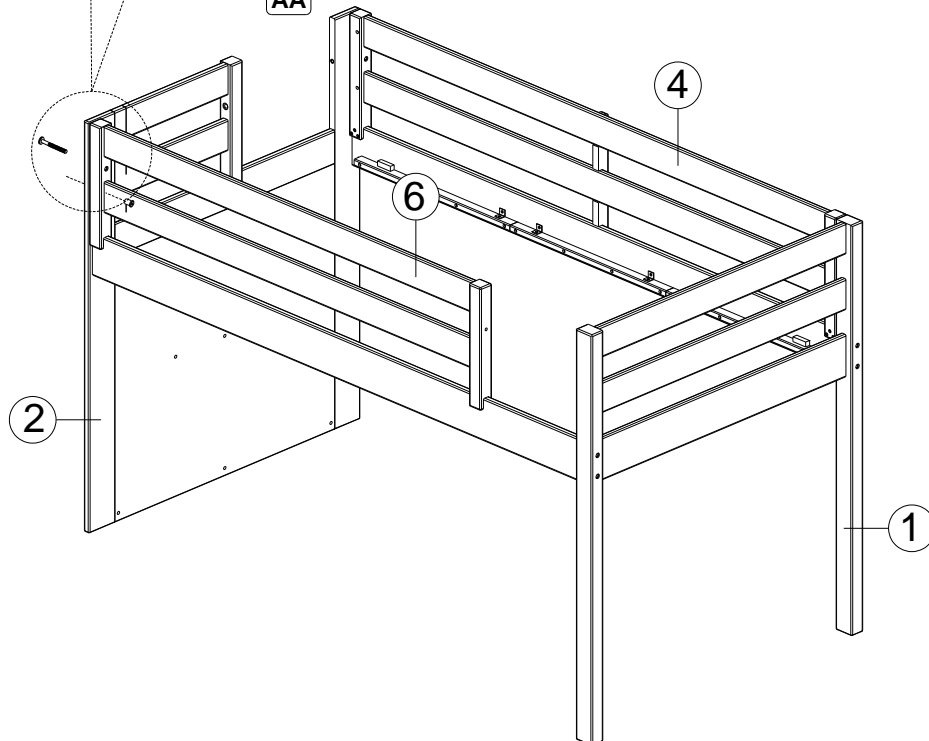
1x



1x



2x



DO NOT USE SUBSTITUTE PARTS.

PLEASE CONTACT YOUR RETAIL STORE OR [WWW.ROOMSTOGO.COM](http://WWW.ROOMSTOGO.COM) WITH SERVICE OR PARTS REPLACEMENT REQUEST

This product is manufactured by (SRCE) for ROOMS TO GO | KIDS

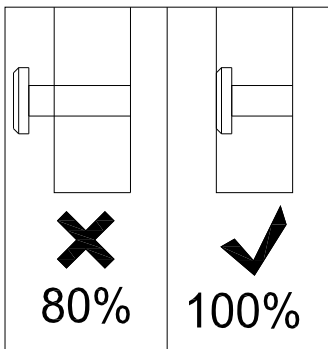
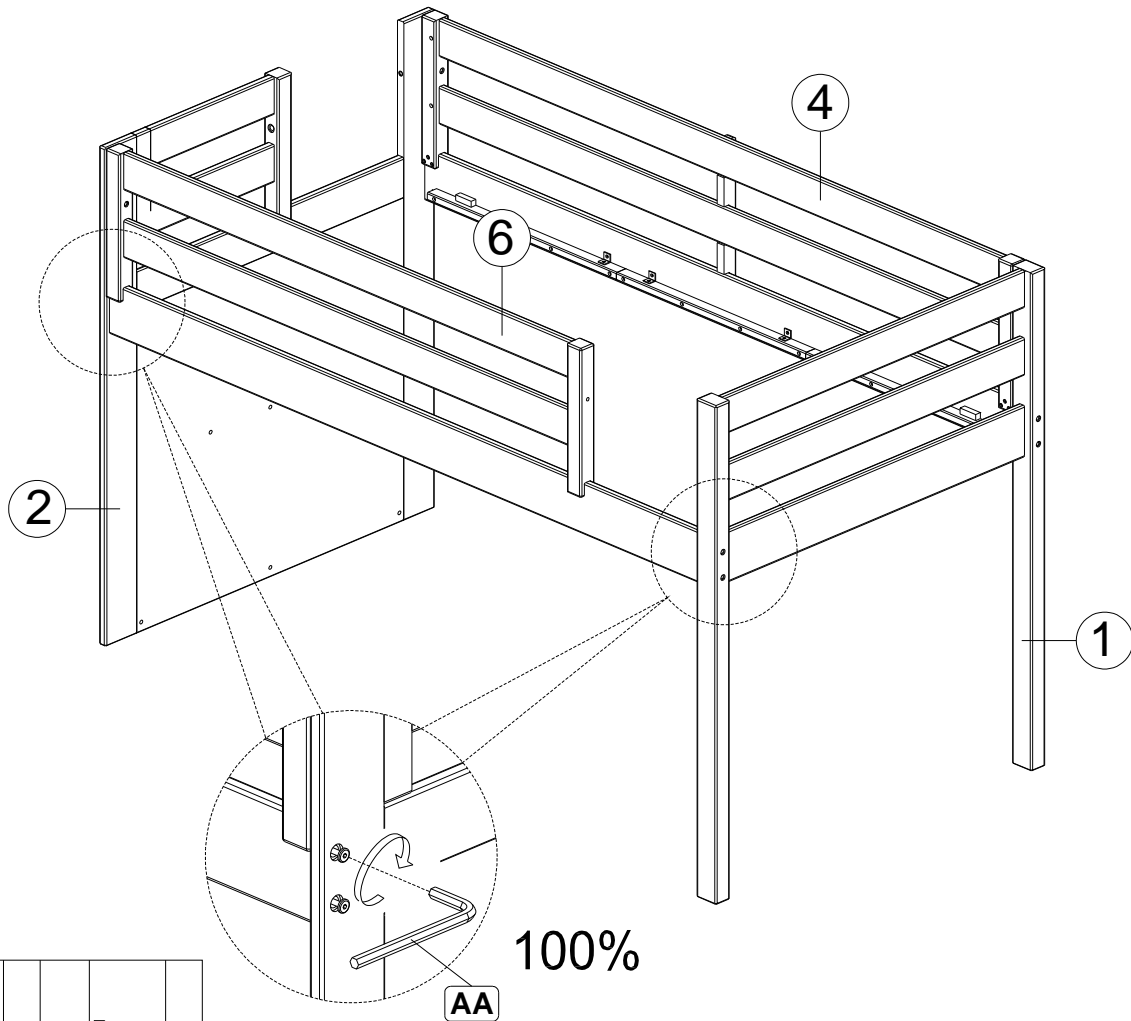
# FANTASY FORT

## TWIN LOW LOFT

Thank you for purchasing this quality product. Be sure to check all packing material carefully for small parts which may have come loose inside the carton during shipment. Identify and count all parts and compare with the parts list below. Read all instructions before assembling and keep these instructions for future reference.

### Assembly Instructions:

#### OPENING ON THE LEFT



DO NOT USE SUBSTITUTE PARTS.

PLEASE CONTACT YOUR RETAIL STORE OR [WWW.ROOMSTOGO.COM](http://WWW.ROOMSTOGO.COM) WITH SERVICE OR PARTS REPLACEMENT REQUEST

This product is manufactured by (SRCE) for ROOMS TO GO® | KIDS

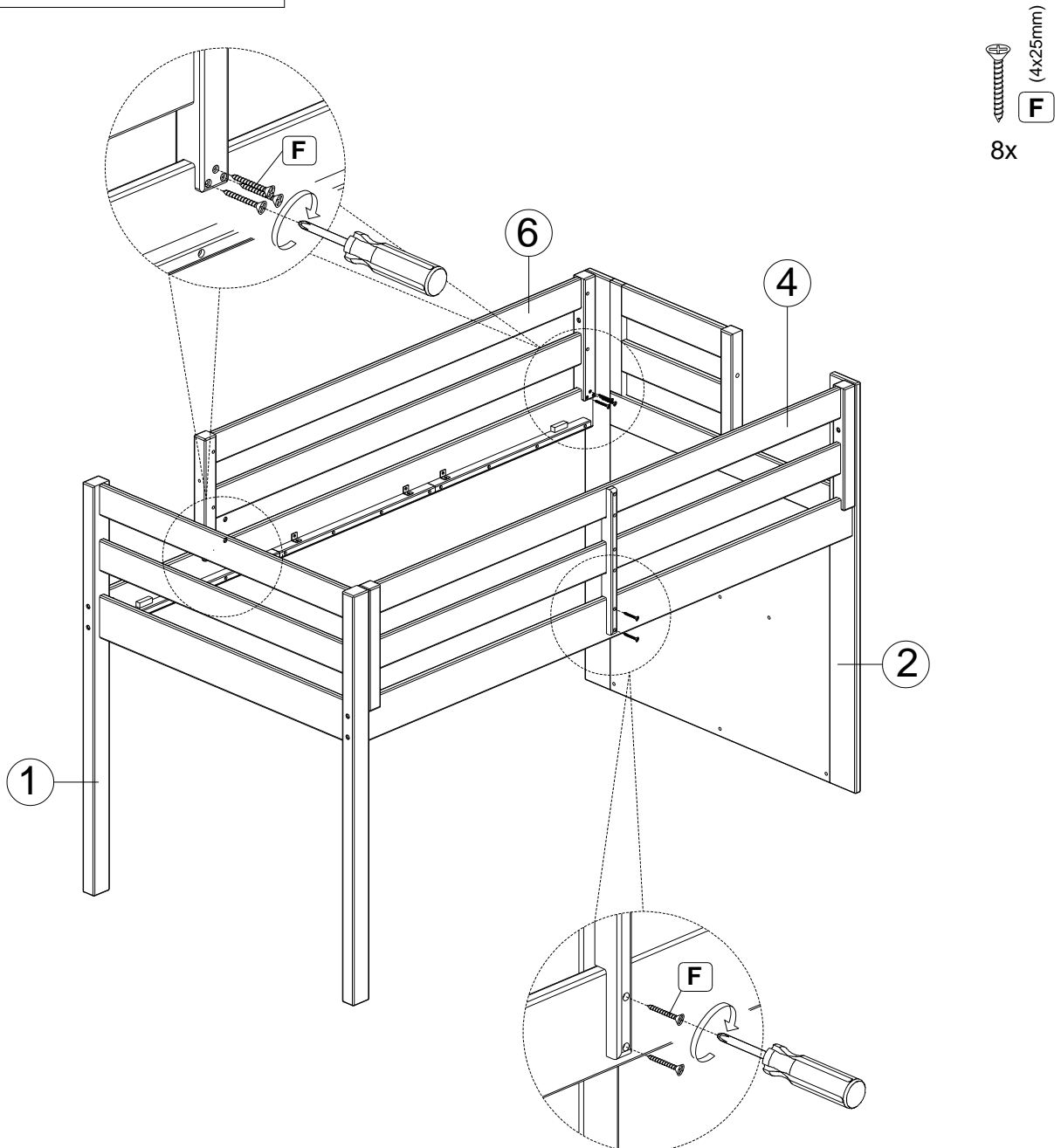
# FANTASY FORT

## TWIN LOW LOFT

Thank you for purchasing this quality product. Be sure to check all packing material carefully for small parts which may have come loose inside the carton during shipment. Identify and count all parts and compare with the parts list below. Read all instructions before assembling and keep these instructions for future reference.

### Assembly Instructions:

#### OPENING ON THE LEFT



DO NOT USE SUBSTITUTE PARTS.

PLEASE CONTACT YOUR RETAIL STORE OR [WWW.ROOMSTOGO.COM](http://WWW.ROOMSTOGO.COM) WITH SERVICE OR PARTS REPLACEMENT REQUEST

This product is manufactured by **(SRCE)** for **ROOMS TO GO® | KIDS**

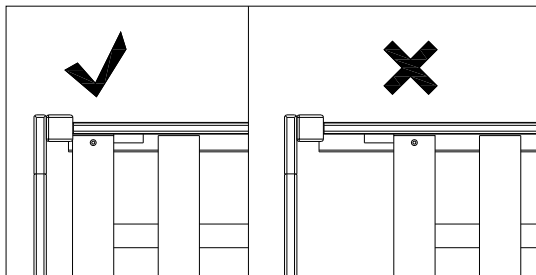
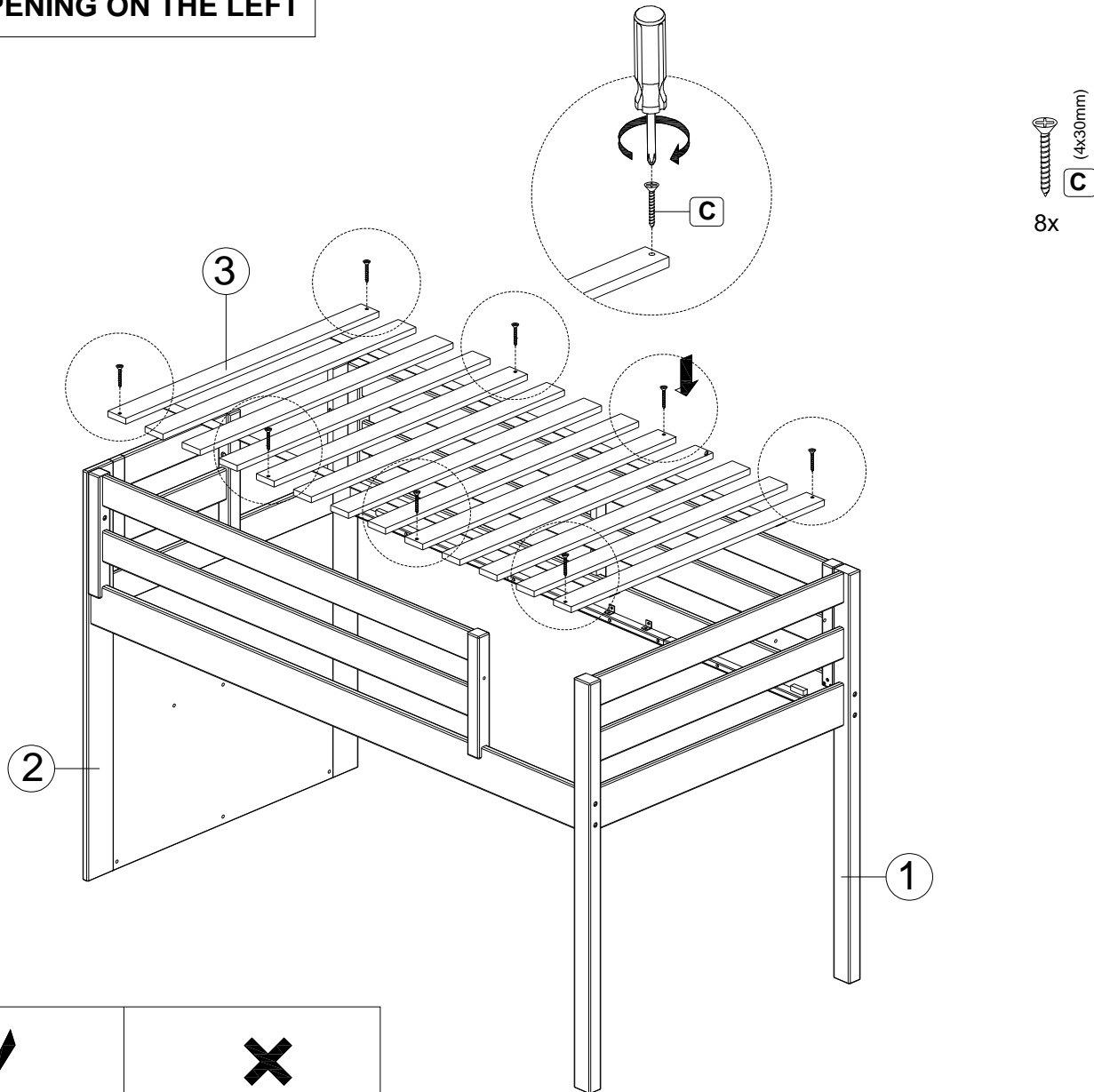
# FANTASY FORT

## TWIN LOW LOFT

Thank you for purchasing this quality product. Be sure to check all packing material carefully for small parts which may have come loose inside the carton during shipment. Identify and count all parts and compare with the parts list below. Read all instructions before assembling and keep these instructions for future reference.

### Assembly Instructions:

#### OPENING ON THE LEFT



DO NOT USE SUBSTITUTE PARTS.

PLEASE CONTACT YOUR RETAIL STORE OR [WWW.ROOMSTOGO.COM](http://WWW.ROOMSTOGO.COM) WITH SERVICE OR PARTS REPLACEMENT REQUEST

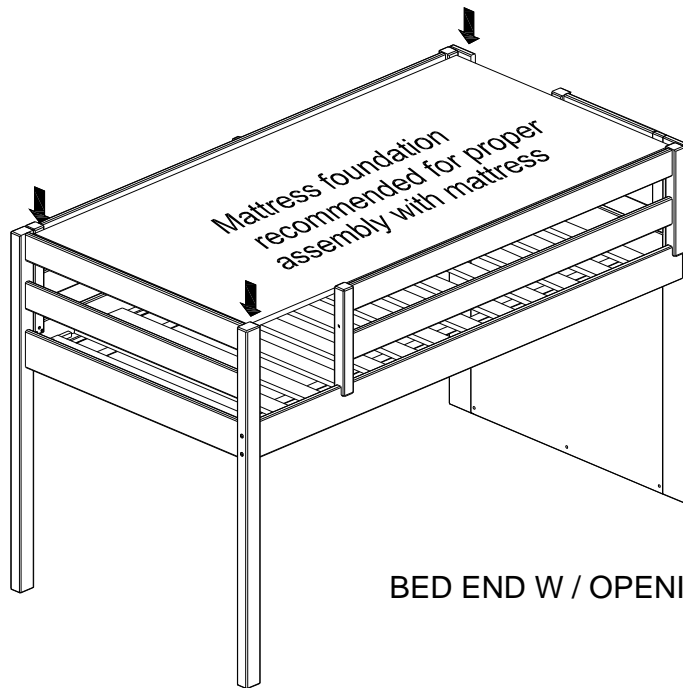
This product is manufactured by (SRCE) for ROOMS TO GO® | KIDS

# FANTASY FORT

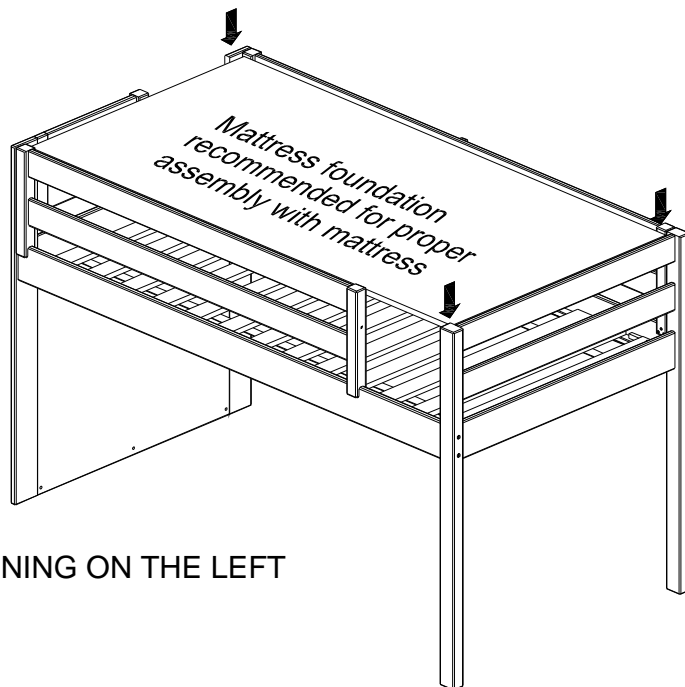
## TWIN LOW LOFT

Thank you for purchasing this quality product. Be sure to check all packing material carefully for small parts which may have come loose inside the carton during shipment. Identify and count all parts and compare with the parts list below. Read all instructions before assembling and keep these instructions for future reference.

### Assembly Instructions:



BED END W / OPENING ON THE RIGHT



BED END W / OPENING ON THE LEFT

A mattress foundation is recommended for proper assembly with mattress.  
Place the mattress foundation (not provided) on top.

DO NOT USE SUBSTITUTE PARTS.  
PLEASE CONTACT YOUR RETAIL STORE OR [WWW.ROOMSTOGO.COM](http://WWW.ROOMSTOGO.COM) WITH SERVICE OR PARTS  
REPLACEMENT REQUEST

This product is manufactured by **(SRCE)** for **ROOMS TO GO® | KIDS**