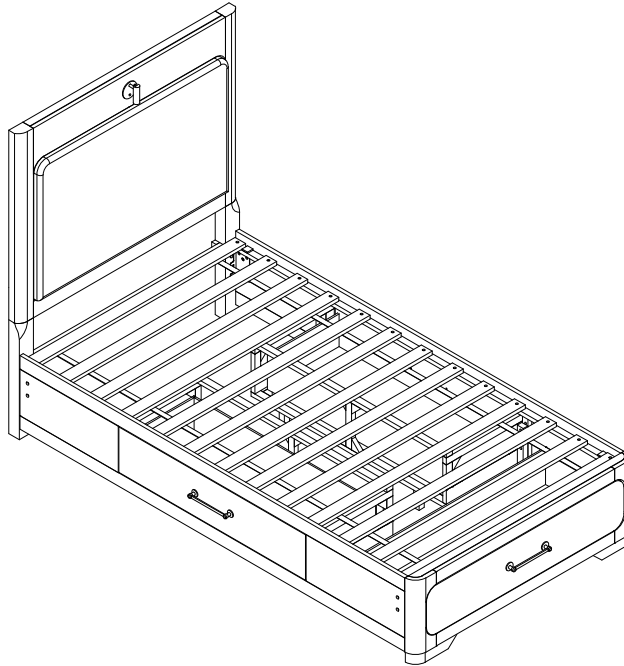








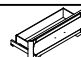



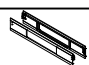
SOUTHSIDE LOFT TWIN STORAGE BED

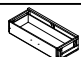
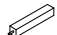


3405638P TWIN BED W/STORAGE RAILS AND STORAGE FOOTBOARD - EBONY				
RTG SKU#	STYLE#	ITEM DESCRIPTION	IMAGE	Q'TY
34456384	5638-TWHB	TWIN PANEL HEADBOARD		1PC
34556386	5638-TWSTFB	1 PC TWIN STORAGE FOOTBOARD & 1 SET SLAT ROLL		1SET
34856382	5638-TWFLRL	2 PCS TWIN/FULL STORAGE SIDE RAILS		1SET
34956384	5638-RLDRW	2 PCS STORAGE SIDE RAILS DRAWERS		1SET

TWIN PANEL HEADBOARD PARTS LIST			
NO.	ITEM DESCRIPTION	IMAGE	Q'TY
A	HEADBOARD		1PC
B	LEFT POST		1PC
C	RIGHT POST		1PC
D	BOTTOM RAIL		1PC

TWIN STORAGE FOOTBOARD PARTS LIST			
NO.	ITEM DESCRIPTION	IMAGE	Q'TY
E	STORAGE FOOTBOARD W/ 1 PC FOOTBOARD DRAWER		1PC
F	SLAT ROLL		1SET

TWIN/FULL STORAGE SIDE RAILS PARTS LIST			
NO.	ITEM DESCRIPTION	IMAGE	Q'TY
G	SIDE RAILS		2PCS

TWIN/FULL STORAGE SIDE RAILS DRAWERS PARTS LIST			
NO.	ITEM DESCRIPTION	IMAGE	Q'TY
H	SIDE RAILS DRAWER		2PCS
I	SUPPORT LEGS FOR DRAWER RAIL		4PCS

DO NOT USE SUBSTITUTE PARTS.
PLEASE CONTACT YOUR RETAIL STORE OR WWW.ROOMSTOGO.COM WITH SERVICE OR PARTS REPLACEMENT REQUEST

This product is manufactured by NAJA for **ROOMS TO GO | KIDS**

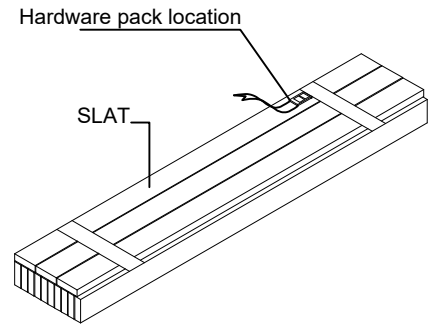
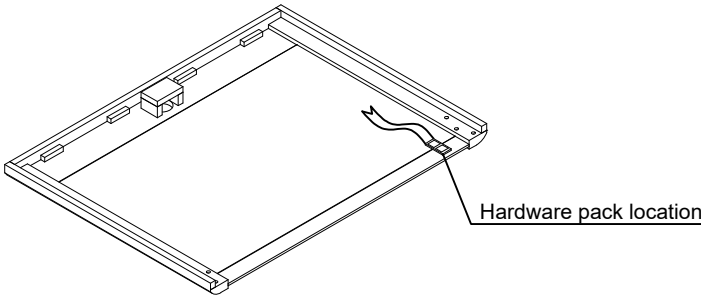
SOUTHSIDE LOFT

TWIN STORAGE BED

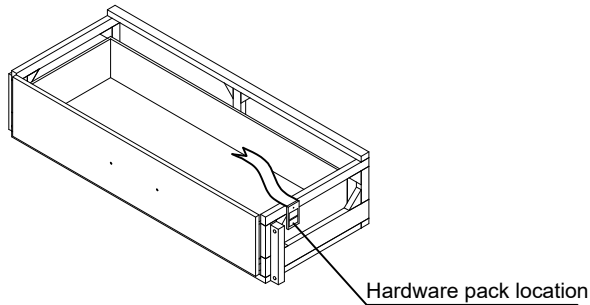
Hardware pack location

TWIN PANEL HEADBOARD		
RTG SKU#	STYLE#	ITEM DESCRIPTION
34456384	5638-TWHB	TWIN PANEL HEADBOARD

TWIN STORAGE FOOTBOARD & SLATS		
RTG SKU#	STYLE#	ITEM DESCRIPTION
34556386	5638-TWSTFB	TWIN STORAGE FOOTBOARD & SLAT ROLL



TWIN/FULL STORAGE SIDE RAILS DRAWERS		
RTG SKU#	STYLE#	ITEM DESCRIPTION
34956384	5638-RLDRW	TWIN/FULL STORAGE SIDE RAILS DRAWERS




DO NOT USE SUBSTITUTE PARTS.
PLEASE CONTACT YOUR RETAIL STORE OR WWW.ROOMSTOGO.COM WITH SERVICE OR PARTS REPLACEMENT REQUEST


This product is manufactured by NAJA for **ROOMS TO GO | KIDS**

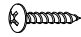
SOUTHSIDE LOFT


TWIN STORAGE BED

Thank you for purchasing this quality product. Be sure to check all packing material carefully for small parts which may have come loose inside the carton during shipment. Identify and count all parts and compare with the parts list below. Read all instructions before assembling and keep these instructions for future reference.

TWIN PANEL HEADBOARD HARDWARE LIST			
NO.	ITEM DESCRIPTION	IMAGE	Q'TY
1	Allen Wrench M4 x 74 x 30mm		1PC

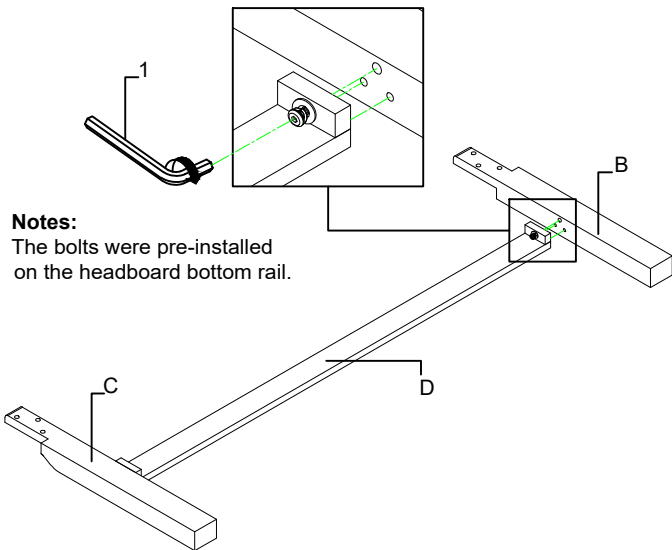
Needed tool	
The Phillips Screwdriver is not included	

TWIN STORAGE FOOTBOARD & SLAT HARDWARE LIST			
NO.	ITEM DESCRIPTION	IMAGE	Q'TY
2	#4 x 1-1/4"L Wood Screw		26PCS

TWIN/FULL STORAGE SIDE RAILS DRAWERS HARDWARE LIST			
NO.	ITEM DESCRIPTION	IMAGE	Q'TY
3	Allen Wrench M4 x 74 x 30mm		1PC

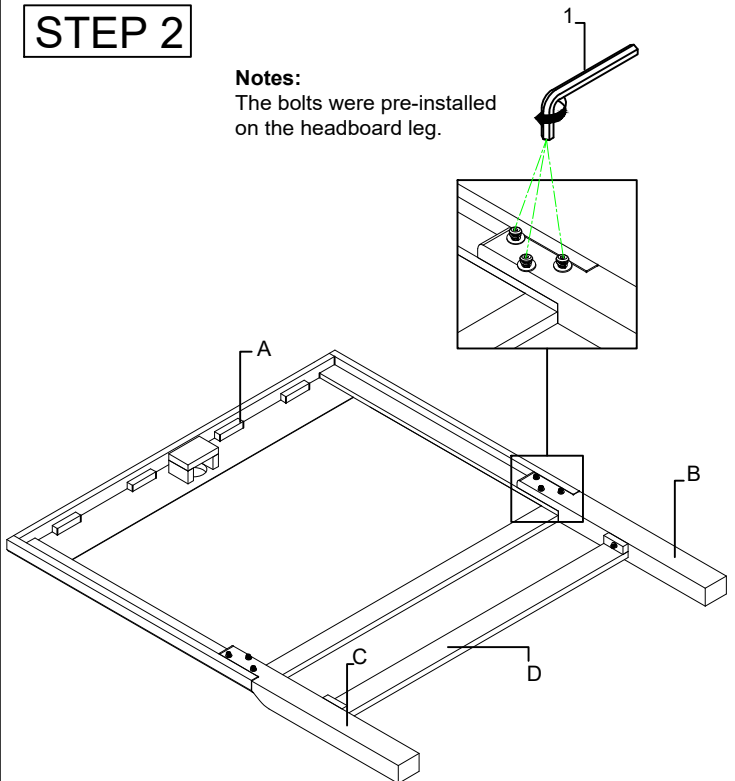
Assembly Instructions:

STEP 1



Notes:
The bolts were pre-installed on the headboard bottom rail.

STEP 2



Notes:
The bolts were pre-installed on the headboard leg.

DO NOT USE SUBSTITUTE PARTS.
PLEASE CONTACT YOUR RETAIL STORE OR WWW.ROOMSTOGO.COM WITH SERVICE OR PARTS REPLACEMENT REQUEST

This product is manufactured by NAJA for **ROOMS TO GO | KIDS**

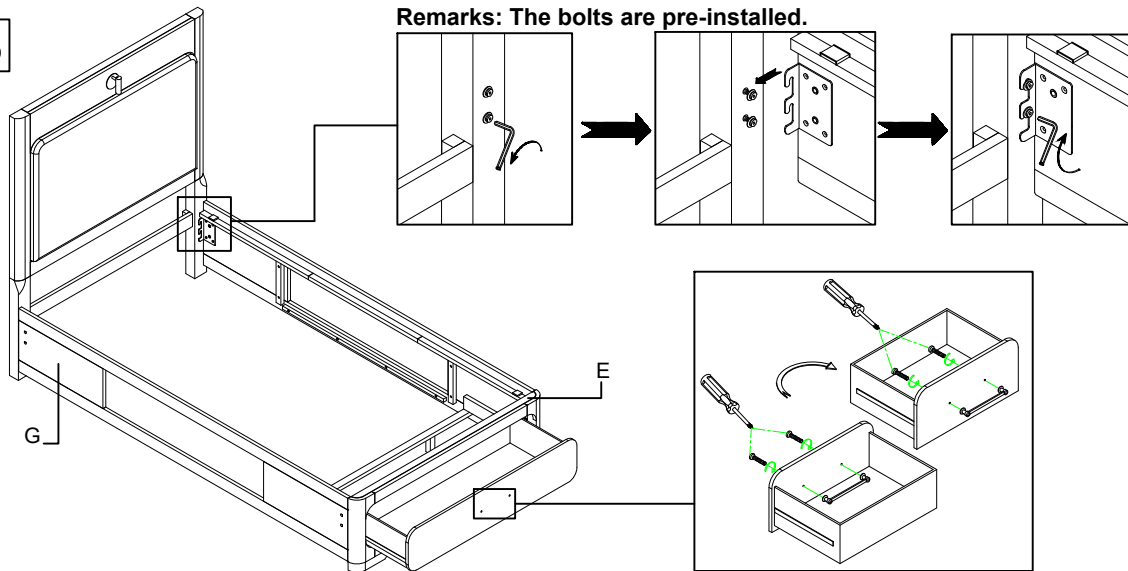
SOUTHSIDE LOFT

TWIN STORAGE BED

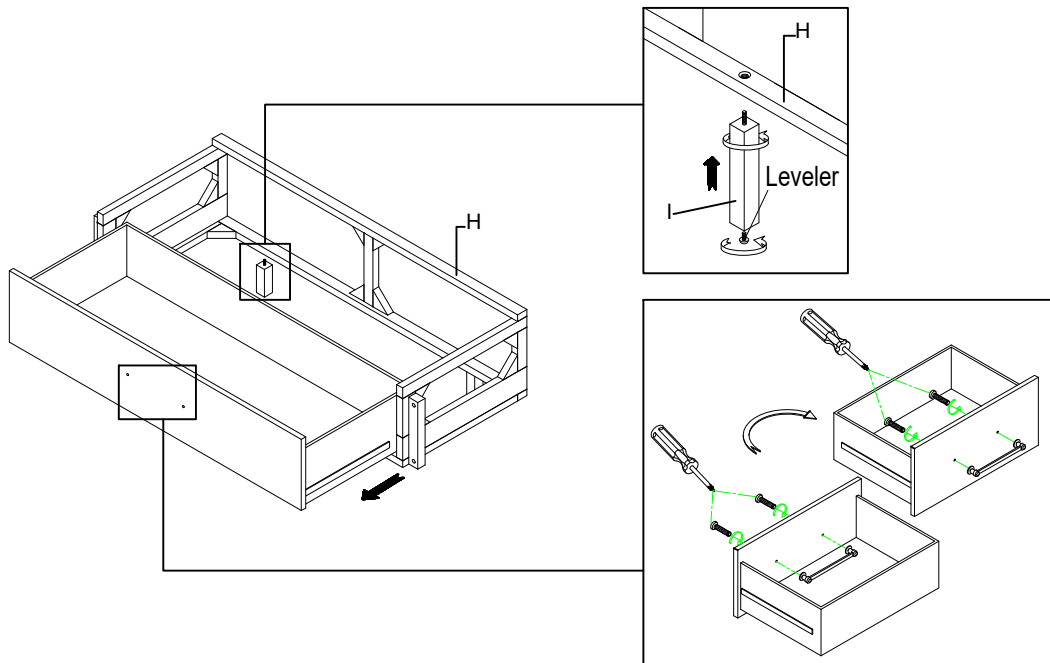
Thank you for purchasing this quality product. Be sure to check all packing material carefully for small parts which may have come loose inside the carton during shipment. Identify and count all parts and compare with the parts list below. Read all instructions before assembling and keep these instructions for future reference.

Assembly Instructions:

STEP 3



STEP 4



DO NOT USE SUBSTITUTE PARTS.
PLEASE CONTACT YOUR RETAIL STORE OR WWW.ROOMSTOGO.COM WITH SERVICE OR PARTS
REPLACEMENT REQUEST

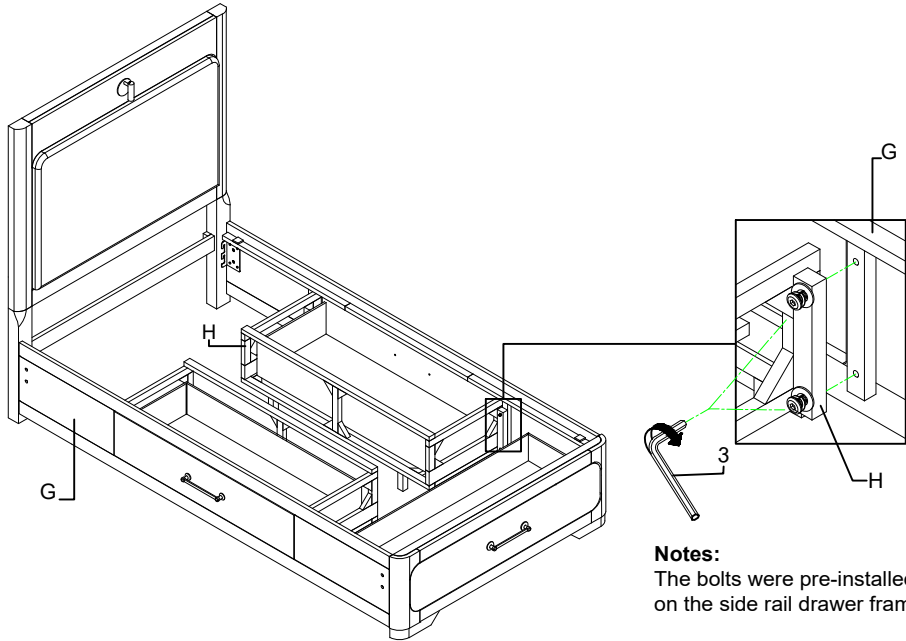
This product is manufactured by NAJA for **ROOMS TO GO | KIDS**

SOUTHSIDE LOFT TWIN STORAGE BED

Thank you for purchasing this quality product. Be sure to check all packing material carefully for small parts which may have come loose inside the carton during shipment. Identify and count all parts and compare with the parts list below. Read all instructions before assembling and keep these instructions for future reference.

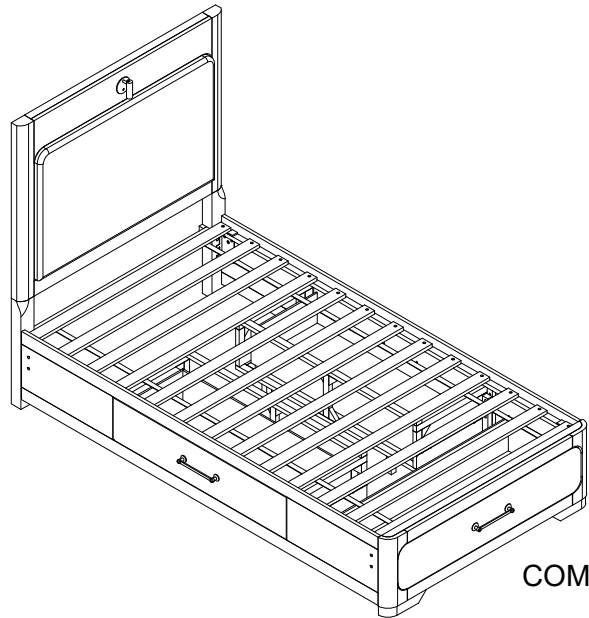
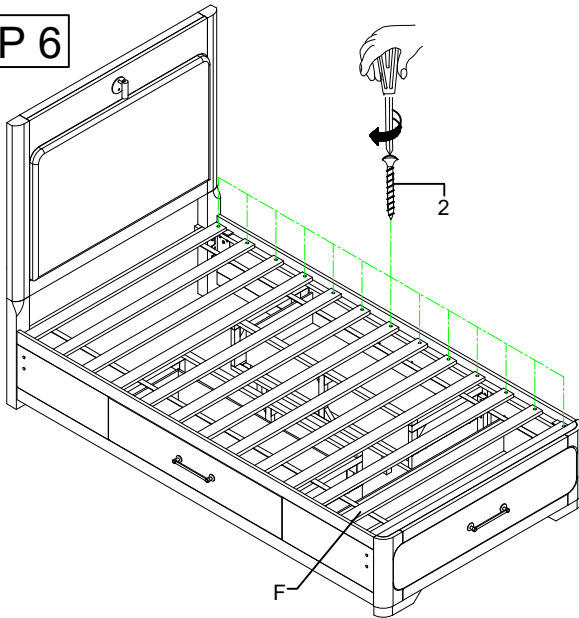
Assembly Instructions:

STEP 5



Notes:
The bolts were pre-installed on the side rail drawer frame.

STEP 6



COMPLETE

DO NOT USE SUBSTITUTE PARTS.
PLEASE CONTACT YOUR RETAIL STORE OR WWW.ROOMSTOGO.COM WITH SERVICE OR PARTS
REPLACEMENT REQUEST

This product is manufactured by NAJA for **ROOMS TO GO | KIDS**

IMPORTANT SAFETY INSTRUCTIONS



WARNING

Misuse can result in FIRE or DEATH by ELECTRICAL SHOCK

ELECTRICAL RATING (120VAC /LED 1x 3.0W)
Dong guan City Huge Sun Lighting CO.,LTD
PART NUMBER (GN7214I-01)

Read all instructions before using this furnishing.

DANGER – To reduce the risk of electric shock:

- Always unplug this furnishing from the electrical outlet before cleaning or servicing.

WARNING – To reduce the risk of burns, fire, electric shock, or injury to persons:

- Unplug from outlet before putting on or taking off parts.
- Never operate this furnishing if it has a damaged electrical cord or plug, if it is not working properly, or if the electrical cord or plug has been damaged or dropped into water. Stop using this furnishing and call a service center for examination and repair.
- Keep the electrical cord and plug away from heated surfaces and other heat sources.
- To disconnect, turn all controls to the off position, then remove plug from outlet.
- When operating, ensure that electrical cord is not under the base, legs, or motion mechanism to avoid damage to electrical cord or plug.
- Do not strain or stretch electrical cord.
- Do not use extension cords or power strips.
- Keep out of reach of children. This is not a toy.
- Plug directly into a compatible electrical socket.
- Do not modify the plug or use any adapters.

INSTRUCCIONES DE SEGURIDAD IMPORANTES



WARNING

El mal uso puede provocar INCENDIO o MUERTE por DESCARGA ELÉCTRICA

CLASIFICACION ELECTTRICA (120VAC/LED 1x 3.0W)
Dong Guan City Huge Sun CO.,LTD
PART NUMBER(GN7214I-01)

Leer todas las instrucciones antes de usar este mobiliario.

Leer todas las instrucciones antes de usar este mobiliario.

- Siempre desenchufe este accesorio de la toma de corriente eléctrica antes de limpiarlo o repararlo

ADVERTENCIA: para reducir el riesgo de quemaduras, incendios, descargas eléctricas o lesiones a personas:

- Desenchufe del tomacorriente antes de colocar o quitar partes.
- Nunca opere este accesorio si tiene un cable o enchufe eléctrico dañado, si no funciona correctamente, o si el cable o el enchufe eléctrico se ha dañado o se ha caído al agua. Deje de usar este equipamiento y llame a un centro de servicio para que lo examinen y lo reparen.
- Mantenga el cable eléctrico y el enchufe lejos de superficies calientes y otras fuentes de calor
- Para desconectar, gire todos los controles a la posición de apagado, luego retire el enchufe del tomacorriente.
- Al operar, asegúrese de que el cable eléctrico no esté debajo de la base, las patas o el mecanismo de movimiento para evitar dañar el cable eléctrico o el enchufe.
- No fuerce ni estire el cable eléctrico.
- No utilizar cables de extensión o tomas de corriente.
- Mantener fuera del alcance de los niños. Esto no es un juguete
- Enchúfelo directamente a una toma de corriente compatible.
- No modifique el enchufe ni utilice adaptadores.