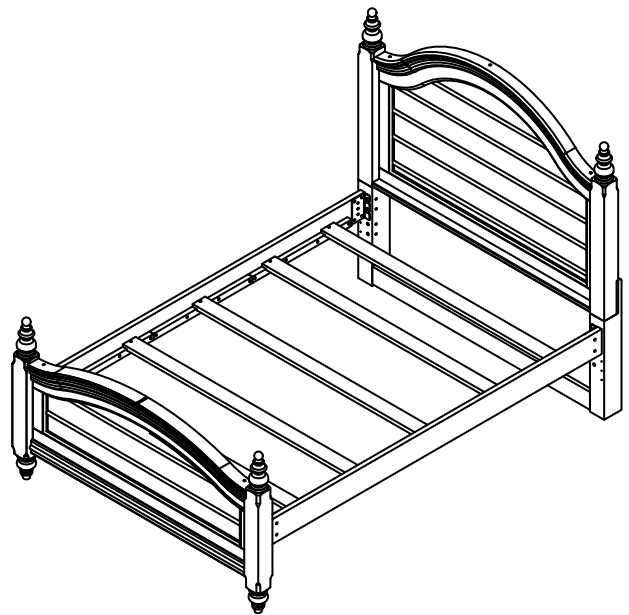
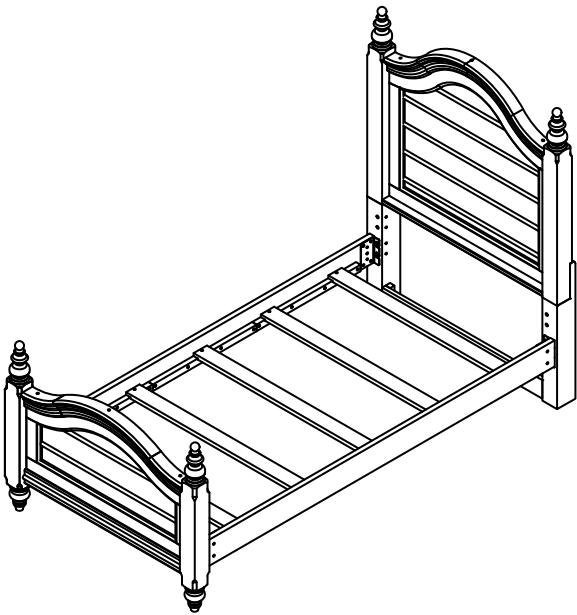


SAN SIMEON

TWIN / FULL POSTER BED



| 6810 RECLAIMED WHITE | | | |
|-----------------------|------------|-----------------------|-------|
| TWIN POSTER HEADBOARD | | | |
| RTG SKU | STYLE# | ITEM DESCRIPTION | QTY |
| 34668105 | 6810 - 970 | Twin Poster Headboard | 1 Pc |
| 34768107 | 6810 - 972 | Twin Poster Footboard | 1 Pc |
| 35068104 | 6810 - 875 | 2PC T/F Side Rails | 2 Pcs |

| 6820 RECLAIMED BLUE | | | |
|-----------------------|------------|-----------------------|-------|
| TWIN POSTER HEADBOARD | | | |
| RTG SKU | STYLE# | ITEM DESCRIPTION | QTY |
| 34668206 | 6820 - 970 | Twin Poster Headboard | 1 Pc |
| 34768208 | 6820 - 972 | Twin Poster Footboard | 1 Pc |
| 35068205 | 6820 - 875 | 2PC T/F Side Rails | 2 Pcs |


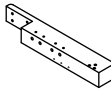
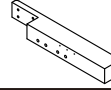
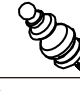

| 6810 RECLAIMED WHITE | | | |
|-----------------------|------------|-----------------------|-------|
| FULL POSTER HEADBOARD | | | |
| RTG SKU | STYLE# | ITEM DESCRIPTION | QTY |
| 34868109 | 6810 - 945 | Full Poster Headboard | 1 Pc |
| 34968101 | 6810 - 946 | Full Poster Footboard | 1 Pc |
| 35068104 | 6810 - 875 | 2PC T/F Side Rails | 2 Pcs |

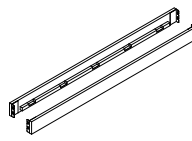
| 6820 RECLAIMED BLUE | | | |
|-----------------------|------------|-----------------------|-------|
| FULL POSTER HEADBOARD | | | |
| RTG SKU | STYLE# | ITEM DESCRIPTION | QTY |
| 34868200 | 6820 - 945 | Full Poster Headboard | 1 Pc |
| 34968202 | 6820 - 946 | Full Poster Footboard | 1 Pc |
| 35068205 | 6820 - 875 | 2PC T/F Side Rails | 2 Pcs |

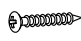
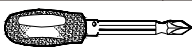
This product is manufactured by RCKF for **ROOMS TO GO | KIDS™**

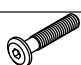



DO NOT USE SUBSTITUTE PARTS. PLEASE CONTACT YOUR RETAIL STORE OR WWW.ROOMSTOGO.COM WITH SERVICE OR PARTS REPLACEMENT REQUEST

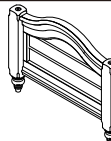
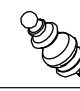

Thank you for purchasing this quality product. Be sure to check all packing material carefully for small parts which may have come loose inside the carton during shipment. Identify and count all parts and compare with the parts list below. Read all instructions before assembling and keep these instructions for future reference.

| TWIN / FULL POSTER HEADBOARD PARTS LIST | | | |
|-----------------------------------------|------------------|-----------------------------------------------------------------------------------|-------|
| CODE | ITEM DESCRIPTION | IMAGE | QTY |
| A | Poster Headboard |  | 1 Pc |
| B | Left Leg |  | 1 Pc |
| C | Right Leg |  | 1 Pc |
| D | HB Finial |  | 2 Pcs |
| E | Stretcher |  | 1 Pc |

| TWIN / FULL SIDE RAILS PARTS LIST | | | |
|-----------------------------------|------------------|-------------------------------------------------------------------------------------|-------|
| CODE | ITEM DESCRIPTION | IMAGE | QTY |
| I | Side Rails |  | 2 Pcs |

| CODE | HARDWARE LIST FOR FOOTBOARD | | QTY |
|------|-------------------------------|-------------------------------------------------------------------------------------|--------|
| 1 | Screw Ø8 x 1" |  | 10 Pcs |
| 6 | Screw driver (not included) |  | + |

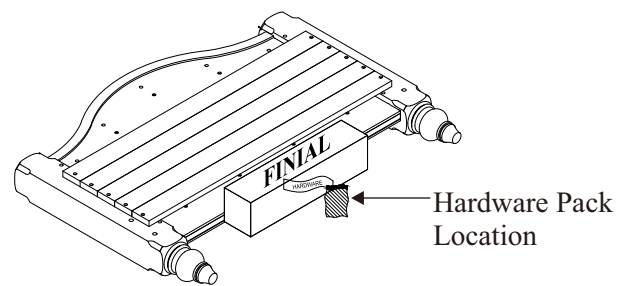
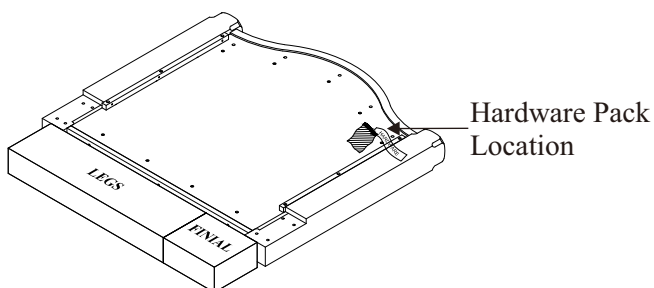
| CODE | HARDWARE LIST FOR HEADBOARD | | QTY |
|------|-----------------------------|-------------------------------------------------------------------------------------|--------|
| 2 | Bolt Ø5/16 x 18 x 2" |  | 10 Pcs |
| 3 | Lock Washer 5/16" |  | 10 Pcs |
| 4 | Flat Washer Ø8 x Ø18 x 1 mm |  | 10 Pcs |
| 5 | Allen Key 5 x 70 mm |  | 1 Pc |

| TWIN / FULL POSTER FOOTBOARD PARTS LIST | | | |
|-----------------------------------------|------------------|-------------------------------------------------------------------------------------|-------|
| CODE | ITEM DESCRIPTION | IMAGE | QTY |
| F | Poster Footboard |  | 1 Pc |
| G | FB Finial |  | 2 Pcs |
| H | Slats |  | 5 Pcs |

HARDWARE PACK LOCATION

| RTG SKU | STYLE# | ITEM DESCRIPTION |
|----------|------------|-----------------------|
| 34668105 | 6810 - 970 | Twin Poster Headboard |
| 34868109 | 6810 - 945 | Full Poster Headboard |
| 34668206 | 6820 - 970 | Twin Poster Headboard |
| 34868200 | 6820 - 945 | Full Poster Headboard |

| RTG SKU | STYLE# | ITEM DESCRIPTION |
|----------|------------|-----------------------|
| 34768107 | 6810 - 972 | Twin Poster Footboard |
| 34968101 | 6810 - 946 | Full Poster Footboard |
| 34768208 | 6820 - 972 | Twin Poster Footboard |
| 34968202 | 6820 - 946 | Full Poster Footboard |



This product is manufactured by RCKF for **ROOMS TO GO | KIDS™**

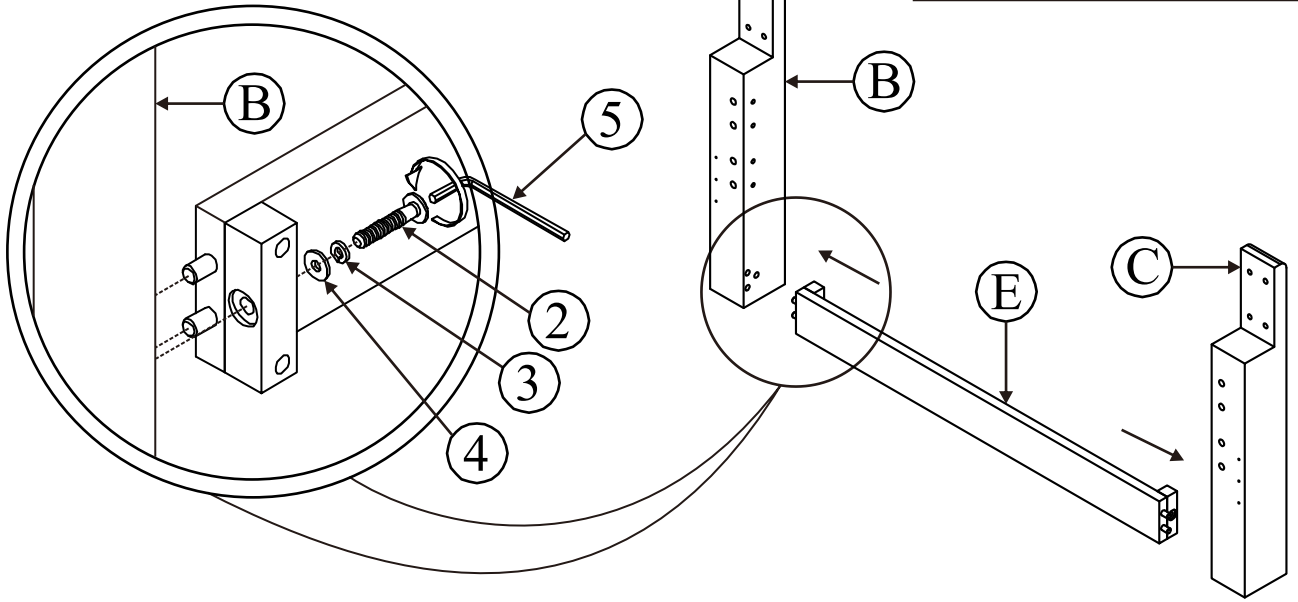
DO NOT USE SUBSTITUTE PARTS. PLEASE CONTACT YOUR RETAIL STORE OR WWW.ROOMSTOGO.COM WITH SERVICE OR PARTS REPLACEMENT REQUEST

Thank you for purchasing this quality product. Be sure to check all packing material carefully for small parts which may have come loose inside the carton during shipment. Identify and count all parts and compare with the parts list below. Read all instructions before assembling and keep these instructions for future reference.

ASSEMBLY INSTRUCTIONS

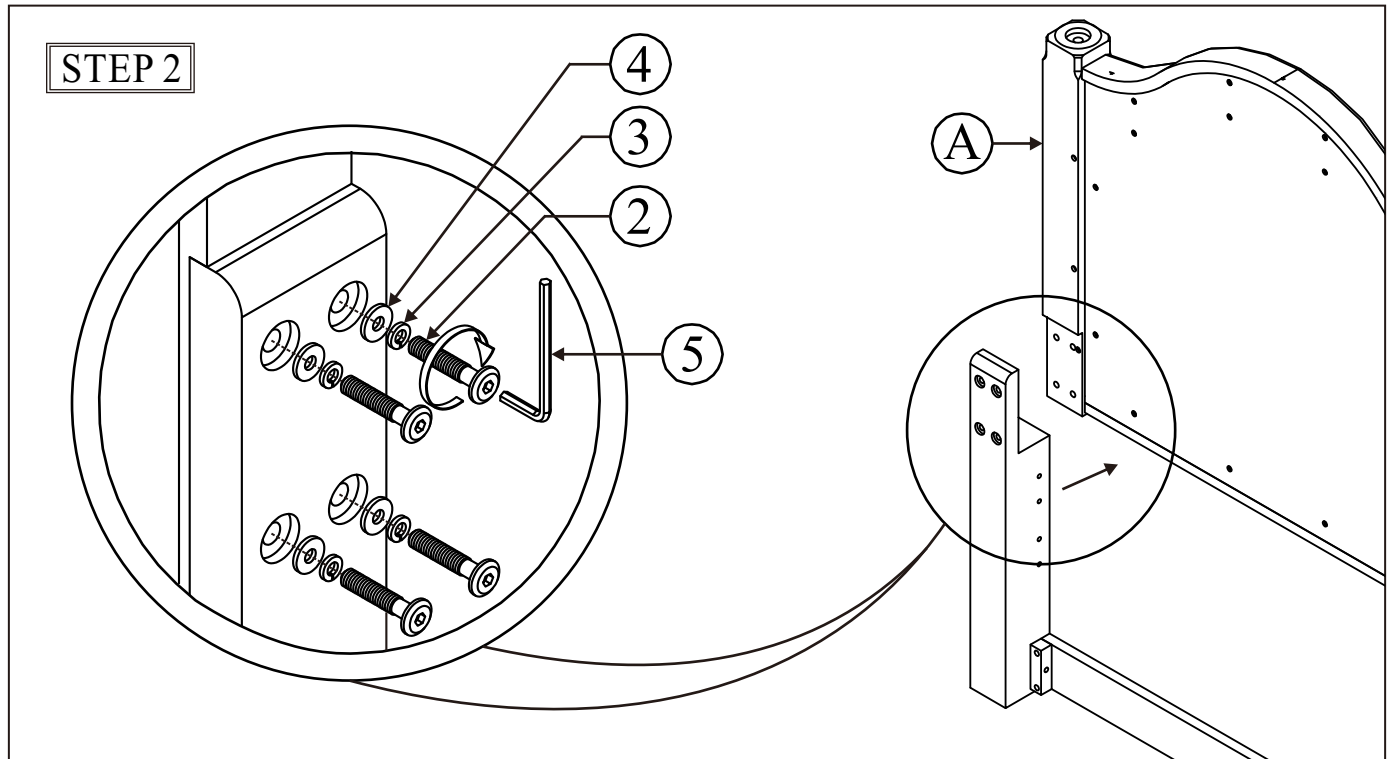
STEP 1

WARNING :
Do not tighten bolts 100% until assembly is complete



Attach Stretcher (E) to Left Leg (B) & Right Leg (C) and then tighten the Bolt

STEP 2



Attach Left & Right Leg + Stretcher to Poster Headboard (A) and then tighten the Bolt

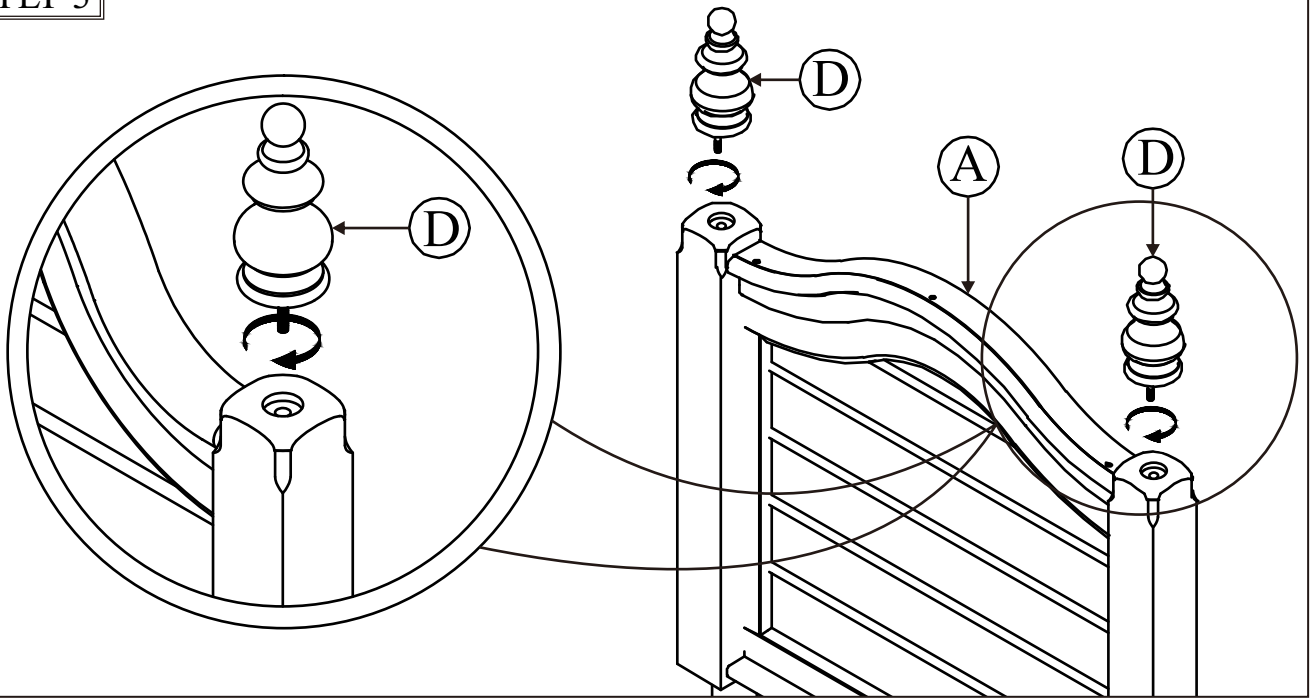
This product is manufactured by RCKF for **ROOMS TO GO | KIDS™**

DO NOT USE SUBSTITUTE PARTS. PLEASE CONTACT YOUR RETAIL STORE OR WWW.ROOMSTOGO.COM WITH SERVICE OR PARTS REPLACEMENT REQUEST

Thank you for purchasing this quality product. Be sure to check all packing material carefully for small parts which may have come loose inside the carton during shipment. Identify and count all parts and compare with the parts list below. Read all instructions before assembling and keep these instructions for future reference.

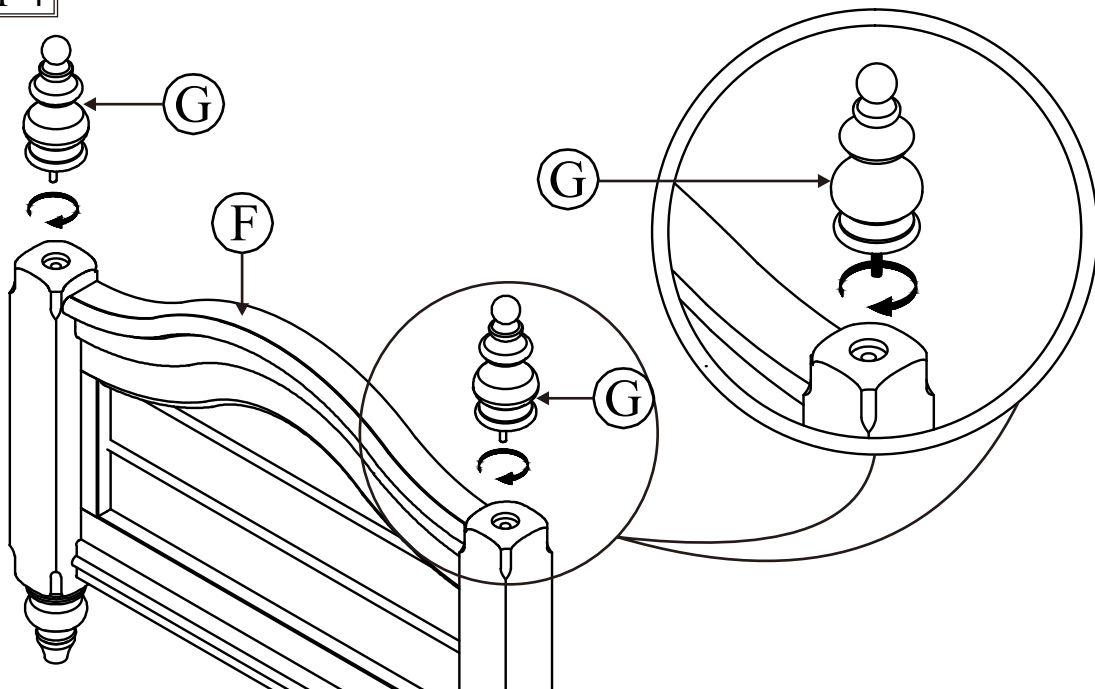
ASSEMBLY INSTRUCTIONS

STEP 3



Attach HB Finial (D) to Poster Headboard (A) and then tighten the HB Finial

STEP 4



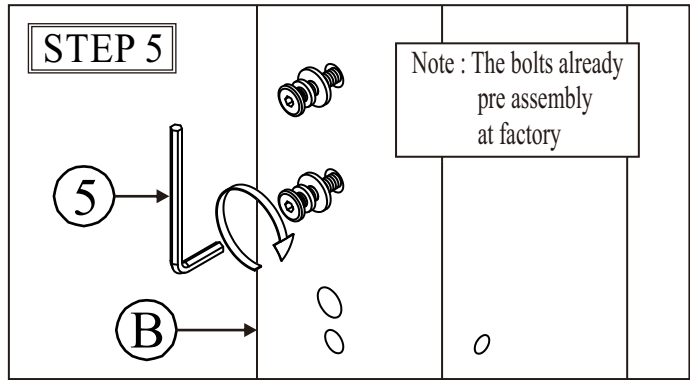
Attach FB Finial (G) to Poster Footboard (F) and then tighten the FB Finial

This product is manufactured by RCKF for **ROOMS TO GO** | **KIDS**[™]

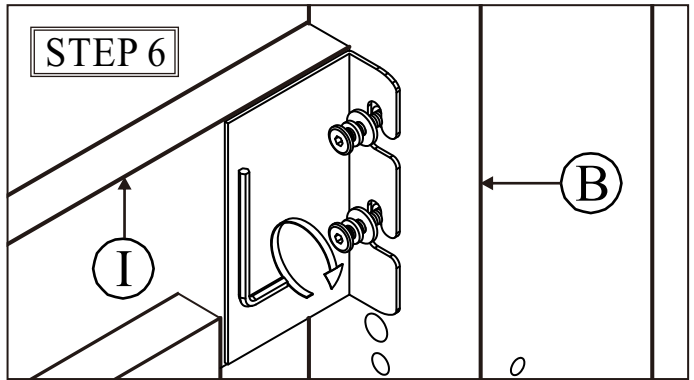
DO NOT USE SUBSTITUTE PARTS. PLEASE CONTACT YOUR RETAIL STORE OR WWW.ROOMSTOGO.COM WITH SERVICE OR PARTS REPLACEMENT REQUEST

Thank you for purchasing this quality product. Be sure to check all packing material carefully for small parts which may have come loose inside the carton during shipment. Identify and count all parts and compare with the parts list below. Read all instructions before assembling and keep these instructions for future reference.

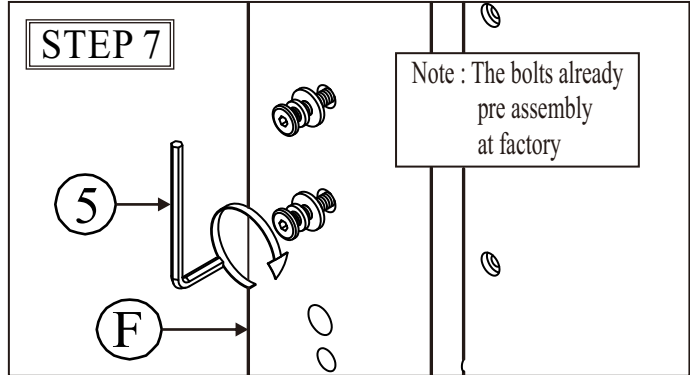
ASSEMBLY INSTRUCTIONS



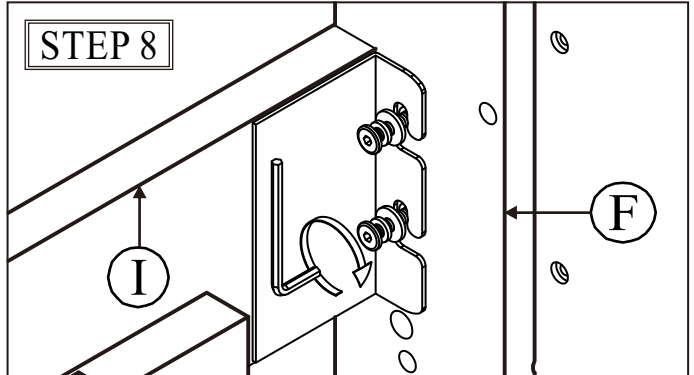
Slightly loose the Bolt on the Legs (B)



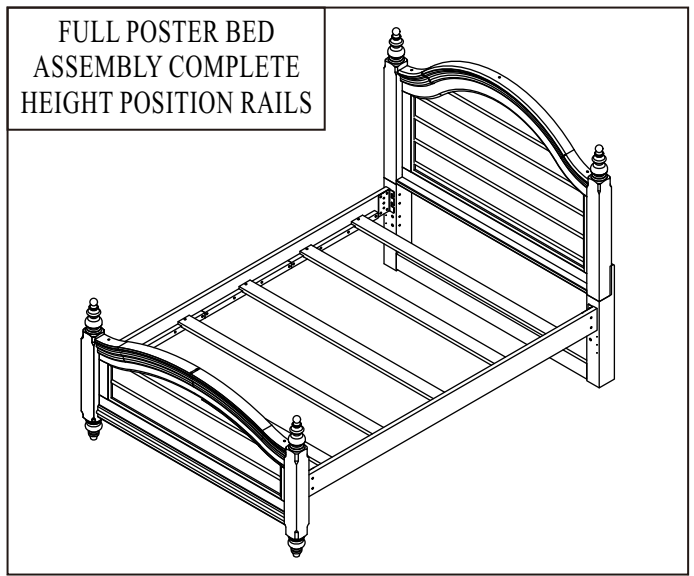
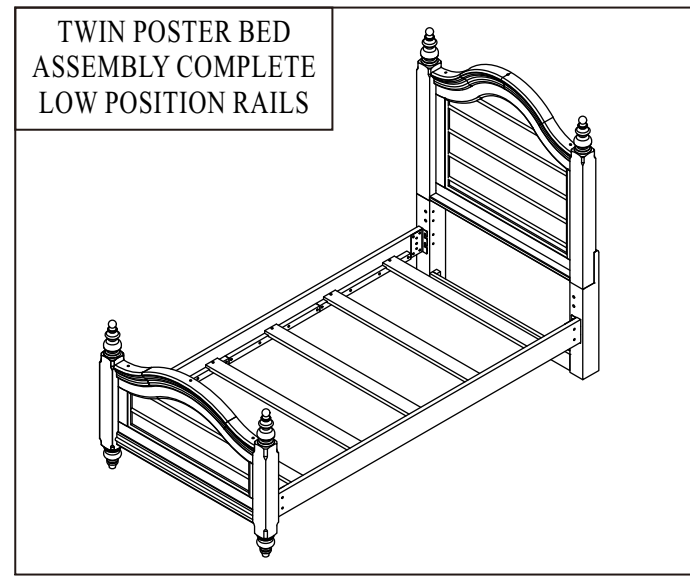
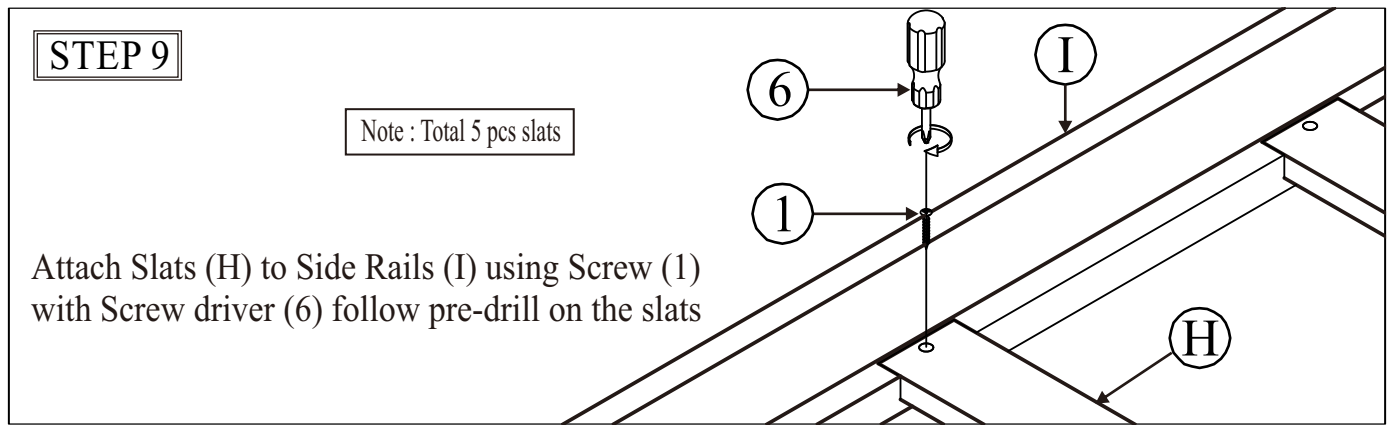
Attach Side Rails (I) to Legs (B) and then tighten the Bolt



Slightly loose the Bolt on the Footboard (F)



Attach Side Rails (I) to Footboard (F) and then tighten the Bolt



This product is manufactured by RCKF for **ROOMS TO GO | KIDS™**

DO NOT USE SUBTITUTE PARTS. PLEASE CONTACT YOUR RETAIL STORE OR WWW.ROOMSTOGO.COM WITH SERVICE OR PARTS REPLACEMENT REQUEST