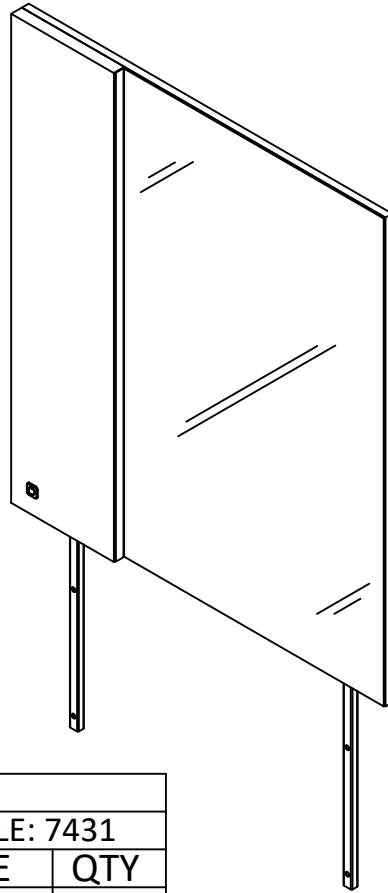
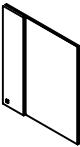
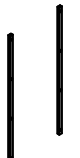
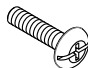


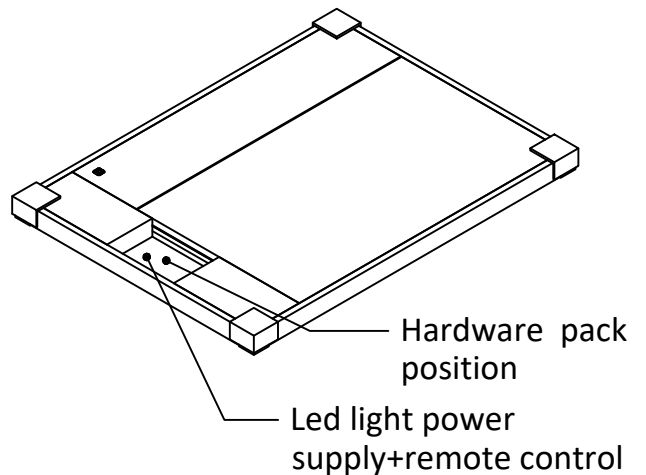
# PARK PEAK MIRROR WITH MULTI-COLOR LED LIGHT



## FIBI

34074308 (WHITE ) - STYLE: 7430			
34074310 (METALLIC OSAGE )- STYLE: 7431			
NO.	Item description	IMAGE	QTY
1	Mirror		1
2	Metal supports		2

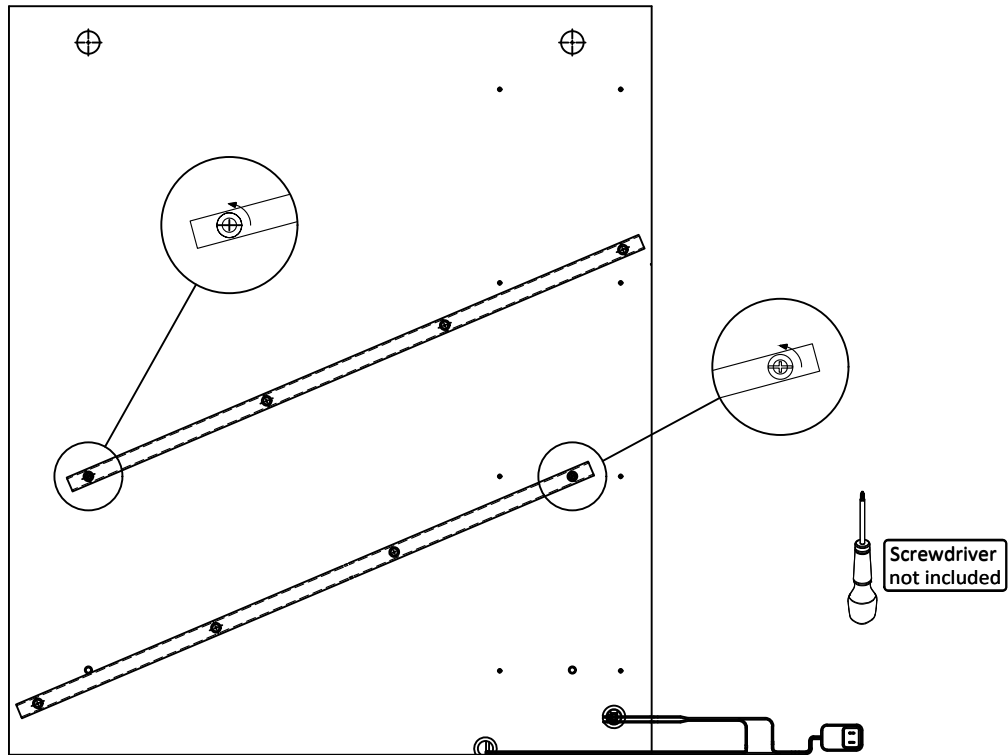
HARDWARE LIST			
NO.	Item description	IMAGE	QTY
A	Screw m6x30mm		6
.	.		.



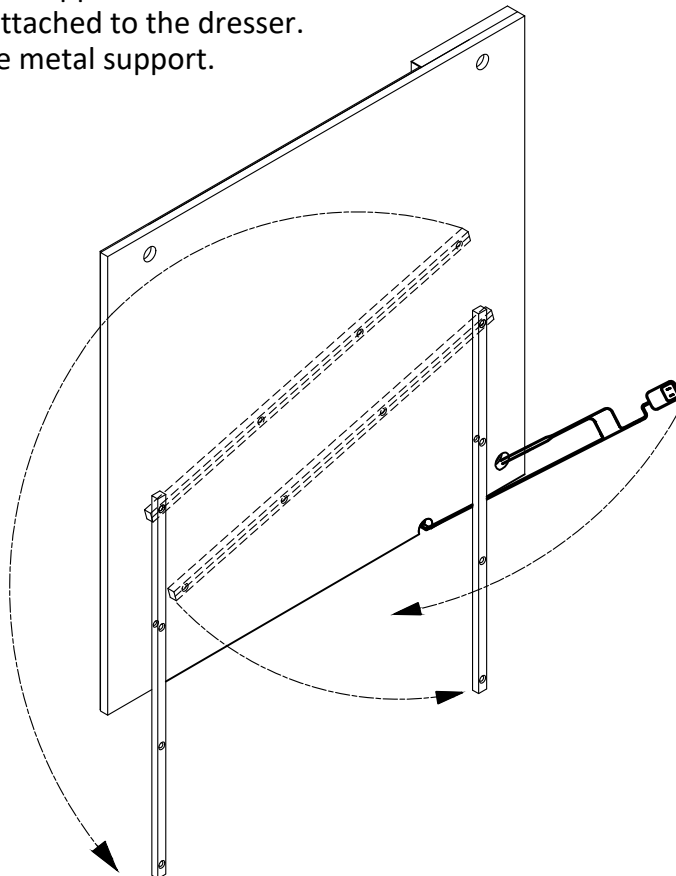
DO NOT SUBSTITUTE PARTS. PLEASE CONTACT YOUR RETAIL STORE OR [WWW.ROOMSTOGO.COM](http://WWW.ROOMSTOGO.COM) WITH SERVICE OR PARTS REPLACEMENT.

# Assembly Instructions

**1** The mirror supports are already attached to the mirror.

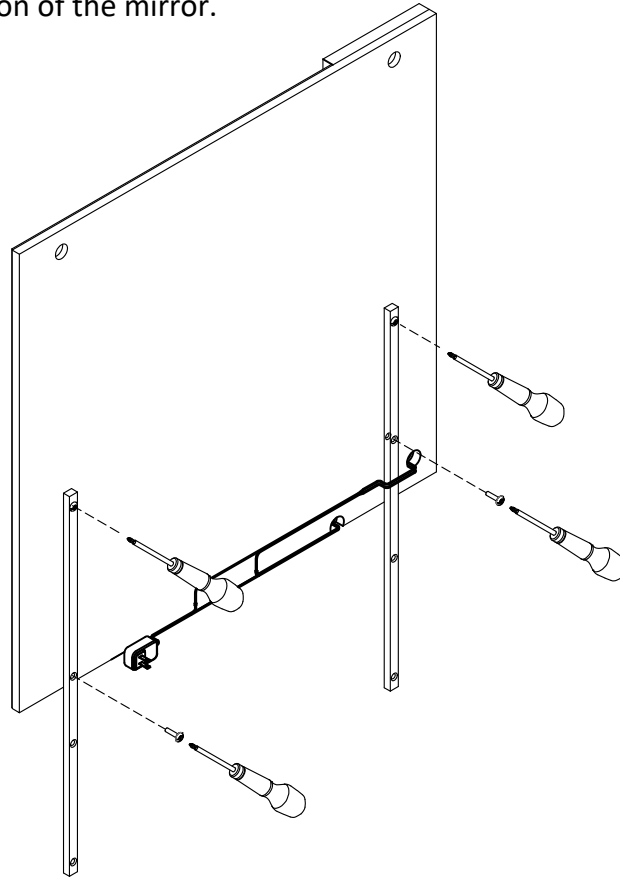


**2** Loosen the screws so that the supports can be moved into extension mode to be attached to the dresser. Pass electrical cords over the metal support.



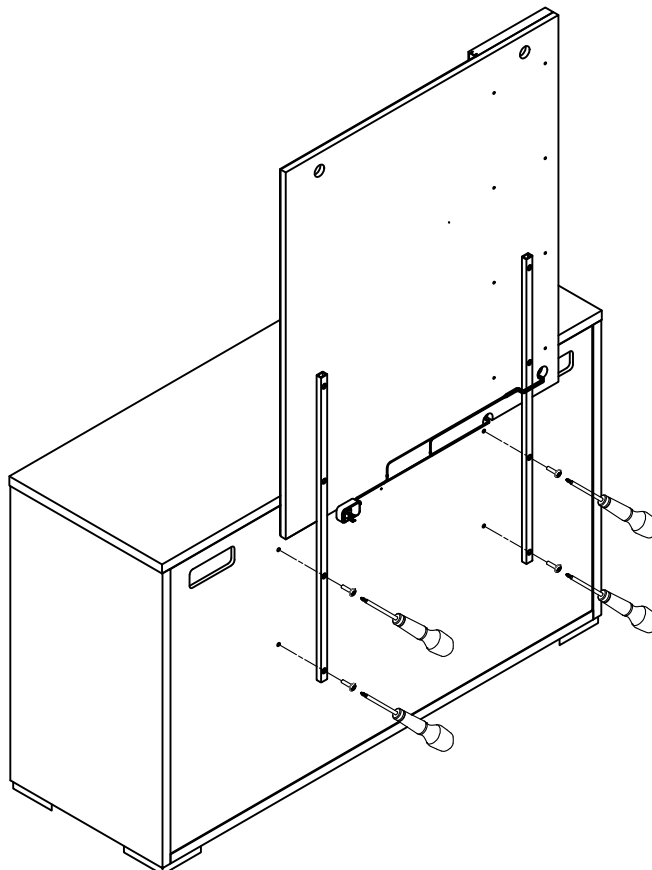
# Assembly Instructions

- 3** Insert the screws into the second hole to secure the supports into the top section of the mirror.



Screwdriver  
not included

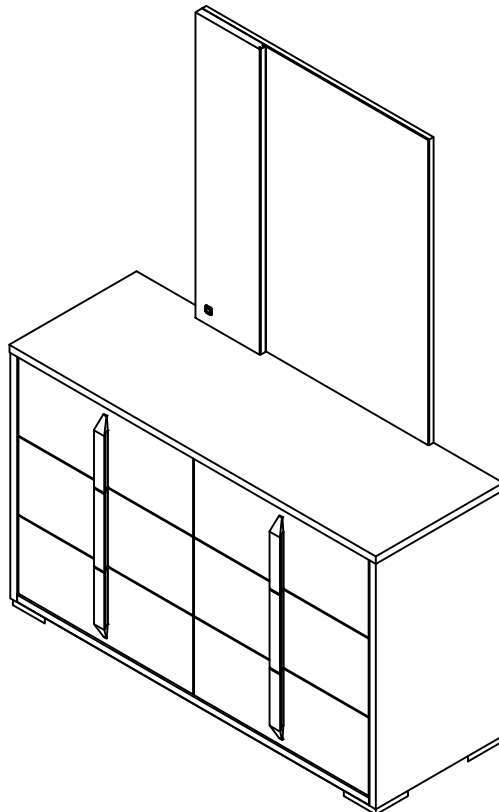
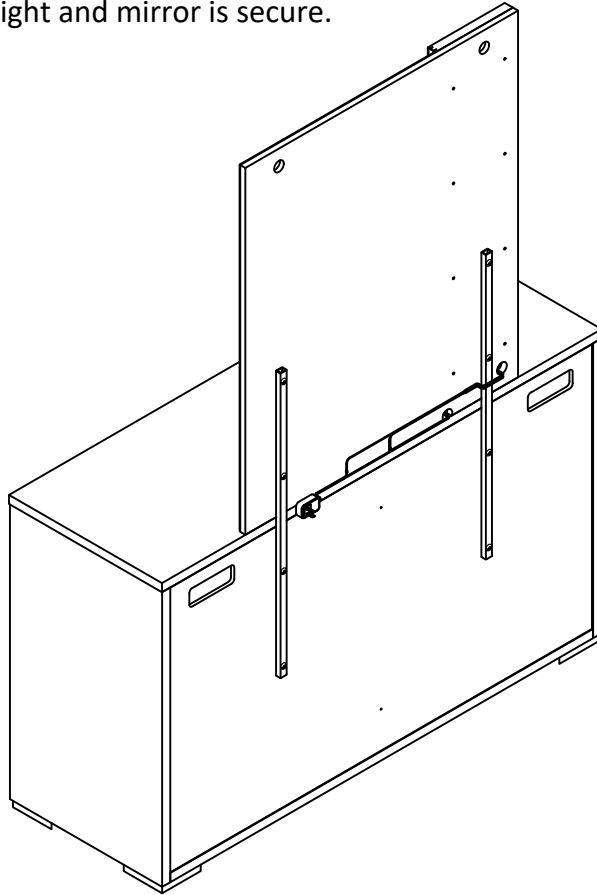
- 4** Carefully place the mirror on top of the dresser



Screwdriver  
not included

# Assembly Instructions

- 5** Insert the screws into the dresser.  
Ensure that all screws are tight and mirror is secure.



# Assembly Instructions

## **WARNING**

Misuse can result in **FIRE** or **DEATH** by **ELECTRICAL SHOCK**

12VOLTS; 0,6AMPERES/METER; 7,2WATTS/METER  
MONTEFELTRO LUCE SRL  
POWER SUPPLY CORD FITTING CATALOG NUMBER: EPBU7.E338509  
- Direct-plug-in and Cord-connected Class 2 Power Units Certified

Read all instructions before using this furnishing.

**DANGER - To reduce the risk of electric shock:**

1. Always unplug this furnishing from the electrical outlet before cleaning or servicing.

**WARNING - to reduce the risk of burns, fire, electric shock, or injury to person:**

1. Unplug from outlet before putting on or taking off parts.
2. Never operate this furnishing if it has a damaged electrical cord or plug, if it is not working properly, or if the electrical cord or plug has been damaged or dropped into water. Stop using this furnishing and call service center for examination and repair.
3. Keep the electrical cord and plug away from heated surfaces and other heat sources.
4. To disconnect, turn all controls to the off position, then remove plug from outlet.
5. When operating, ensure that electrical cord is not under the base, legs, or motion mechanism to avoid damage to electrical cord or plug.
6. Do not strain or stretch electrical cord.
7. Do not use extension cords or power strips.
8. Keep out of reach of children. This is not a toy.
9. Plug directly into a compatible electrical socket.
10. Do not modify the plug or use any adapters.

# Assembly Instructions

**⚠ PRECAUCIÓN**  
El mal uso puede provocar **INCENDIO** o **MUERTE** por **DESCARGA**  
**ELECTRICA**

12VOLTS; 0,6AMPERES/METER; 7,2WATTS/METER  
MONTEFELTRO LUCE SRL  
NUMERO DE CATALOGO DE LA INSTALACION  
DEL CABLE DE ALIMENTACION: EPBU7.E338509  
- Direct-plug-in and Cord-connected Class 2 Power Units Certified  
Leer todas las instrucciones antes de usar este mobiliario.

**PELIGRO - Para reducir el riesgo de descarga eléctrica:**

1. Siempre desenchufe este accesorio de la toma de corriente eléctrica antes de limpiarlo o repararlo.

**ADVERTENCIA: para reducir el riesgo de quemaduras, incendios, descargas eléctricas o lesiones a personas:**

1. Desenchufe del tomacorriente antes de colocar o quitar partes.
2. Nunca opere este accesorio si tiene un cable o enchufe eléctrico dañado, si no funciona correctamente, o si el cable o el enchufe eléctrico se ha dañado o se ha caído al agua. Deje de usar este equipamiento y llame a un centro de servicio para que lo examinen y lo reparen.
3. Mantenga el cable eléctrico y el enchufe lejos de superficies calientes y otras fuentes de calor.
4. Para desconectar, gire todos los controles a la posición de apagado, luego retire el enchufe del tomacorriente.  
Al operar, asegúrese de que el cable eléctrico no este debajo de la base,
5. las patas o el mecanismo de movimiento para evitar dañar el cable eléctrico o el enchufe.
6. No fuerce ni estire el cable eléctrico.
7. No utilizar cables de extensión o tomas de corriente.
8. Mantener fuera del alcance de los niños. Esto no es un juguete.
9. Enchúfelo directamente a una toma de corriente compatible.
10. No modifique el enchufe ni utilice adaptadores.