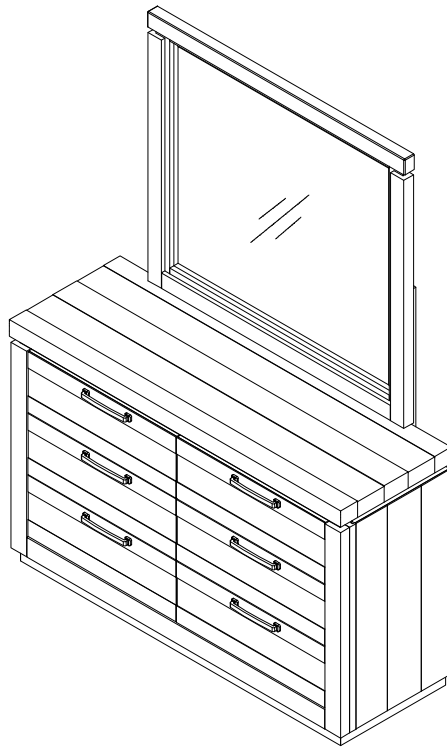
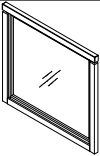







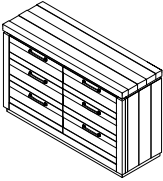
WESTOVER HILLS JR. DRESSER & MIRROR



"This group's finish comes with rustic woods; these are not manufacturing defects."

RECLAIMED BROWN			RECLAIMED GRAY		
RTG SKU	STYLE#	ITEM DESCRIPTION	RTG SKU	STYLE#	ITEM DESCRIPTION
34067101	6710Y - 2	Mirror	34077102	7710Y - 2	Mirror
35767106	6710Y - 1N	Dresser	35777107	7710Y - 1N	Dresser

MIRROR PART LIST			QTY	CODE	HARDWARE LIST	QTY
A		Mirror	1 Pc	1	Bolt 5/16" x 18 x 1 3/8" 	6 Pcs
B		Mirror Bracket	2 Pcs	2	Lock Washer 5/16" 	6 Pcs
				3	Flat Washer Ø8 x Ø18 x 1 mm 	6 Pcs
				4	Allen Key 5 x 75 mm 	1 Pc

DRESSER PART LIST			QTY
C		Dresser (sold separately)	1 Pc

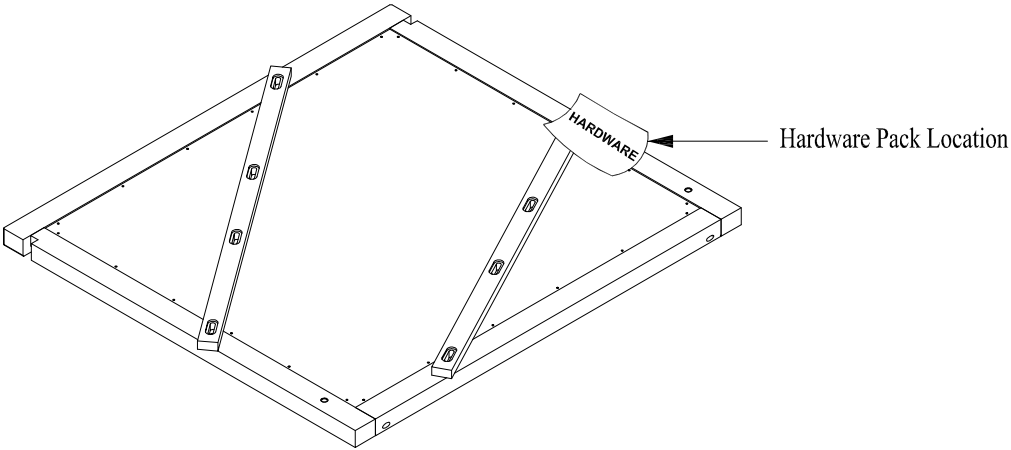
This product is manufactured by ALAM for **ROOMS TO GO | KIDS™**

DO NOT USE SUBSTITUTE PARTS. PLEASE CONTACT YOUR RETAIL STORE OR WWW.ROOMSTOGO.COM
WITH SERVICE OR PARTS REPLACEMENT REQUEST

Thank you for purchasing this quality product. Be sure to check all packing material carefully for small parts which may have come loose inside the carton during shipment. Identify and count all parts and compare with the parts list below. Read all instructions before assembling and keep these instructions for future reference.

HARDWARE PACK LOCATION

RTG SKU	STYLE#	ITEM DESCRIPTION
34067101	6710Y - 2	Mirror
34077102	7710Y - 2	Mirror



This product is manufactured by ALAM for **ROOMS TO GO | KIDS™**

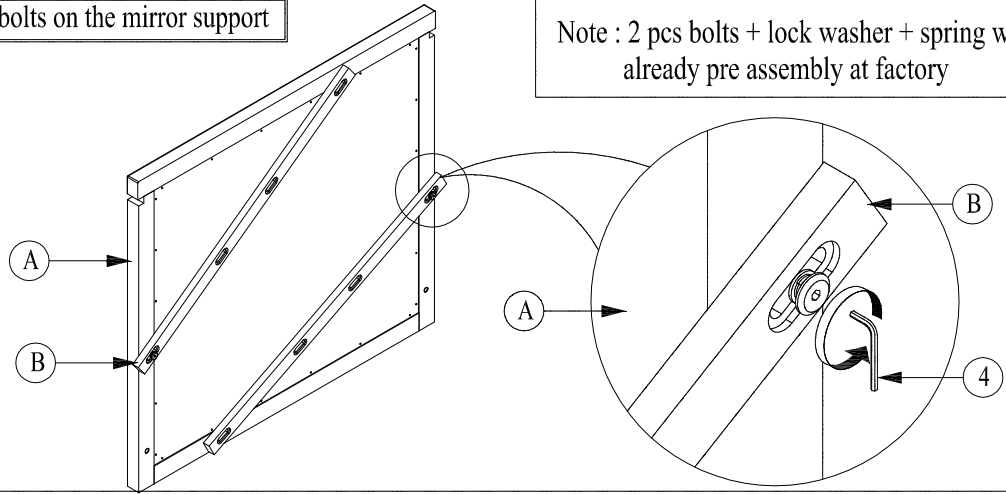
DO NOT USE SUBSTITUTE PARTS. PLEASE CONTACT YOUR RETAIL STORE OR WWW.ROOMSTOGO.COM WITH SERVICE OR PARTS REPLACEMENT REQUEST

Thank you for purchasing this quality product. Be sure to check all packing material carefully for small parts which may have come loose inside the carton during shipment. Identify and count all parts and compare with the parts list below. Read all instructions before assembling and keep these instructions for future reference.

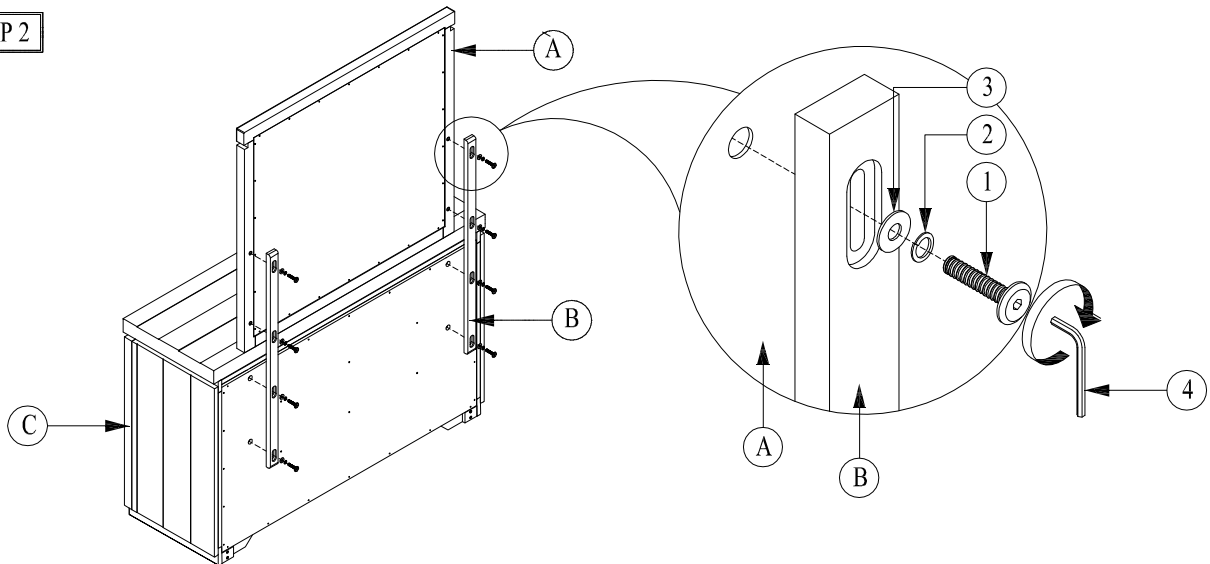
ASSEMBLY INSTRUCTIONS

STEP 1 : Please release bolts on the mirror support

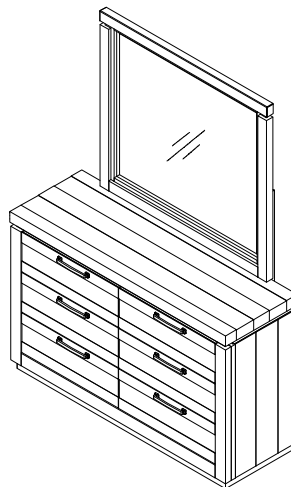
Note : 2 pcs bolts + lock washer + spring washer already pre assembly at factory



STEP 2



ASSEMBLY COMPLETE



This product is manufactured by ALAM for **ROOMS TO GO | KIDS™**

DO NOT USE SUBSTITUTE PARTS. PLEASE CONTACT YOUR RETAIL STORE OR WWW.ROOMSTOGO.COM WITH SERVICE OR PARTS REPLACEMENT REQUEST