

ASSEMBLY INSTRUCTIONS




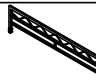








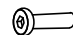

Manufactured for Rooms To Go.

BEIL 248 FULL/FULL BUNK W/ACCESSORY PACK (GREY)		
SKU #	ITEM #	ITEM DESCRIPTION
36202480	248G-5A	FULL / FULL FRAMES & RAILS
36302482	248G-5B	FULL / FULL ENDS & LADDER
36602488	248G-1	ACCESSORY 4 PACK
36702480	248G-2	DESK
36802482	248G-3	BASKETBALL HOOP-ACRYLIC BOARD

BEIL 248 FULL/FULL BUNK W/ACCESSORY PACK (BLUE)		
SKU #	ITEM #	ITEM DESCRIPTION
36202480	248G-5A	FULL / FULL FRAMES & RAILS
36302482	248G-5B	FULL / FULL ENDS & LADDER
36902484	248B-1	ACCESSORY 4 PACK
37002487	248B-2	DESK
37102489	248B-3	BASKETBALL HOOP-ACRYLIC BOARD

Thank you for purchasing this quality product. Be sure to check all packing material carefully for small parts, which may have come loose inside the carton during shipment. Identify and count all parts and compare with the Hardware List below

PART LIST			
NO	DESCRIPTION	PICTURE	Q'TY
1	LEFT END		01 PC
2	RIGHT END		01 PC
3	LONG RAIL		01 PC
4	SHORT RAIL		01 PC
5	LADDER		01 PC
6	TOP FRAME		01 PC
7	BOTTOM FRAME		01 PC
8	SUPPORT LEG		02 PCS

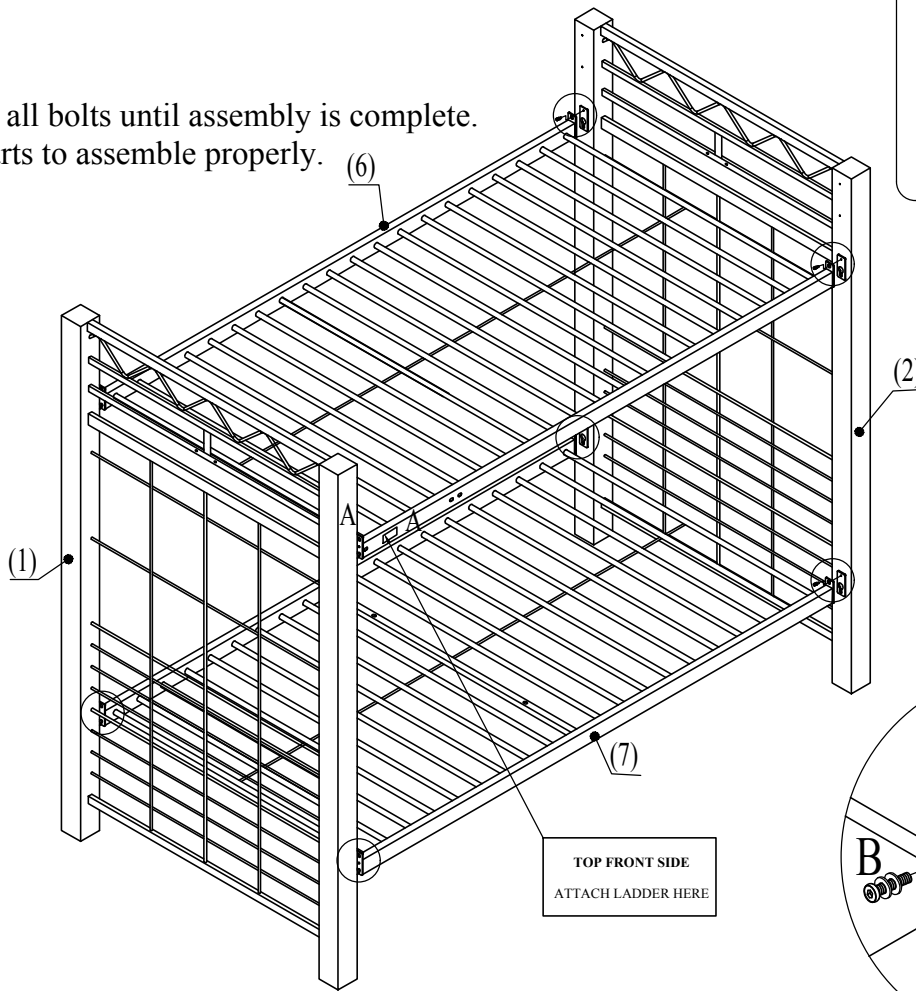
HARDWARE LIST				
NO	DESCRIPTION	PICTURE	DIMENSION	Q'TY
A	BOLT		1/4"x20x1-3/4"	04 PCS
B	BOLT		1/4"x20x1"	15 PCS
C	NUT		1/4"xL20mm	1PC
D	ALLEN KEY		4x4mm	2PCS



Hardware Pack Location (s)
 FULL / FULL FRAMES & RAILS 248G-5A SKU# 36202480

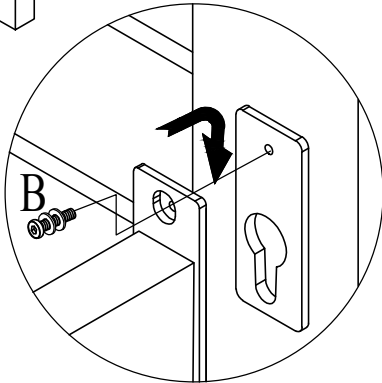


**STEP 1:
ASSEMBLY**

Do not fully tighten all bolts until assembly is complete.
This will help all parts to assemble properly.

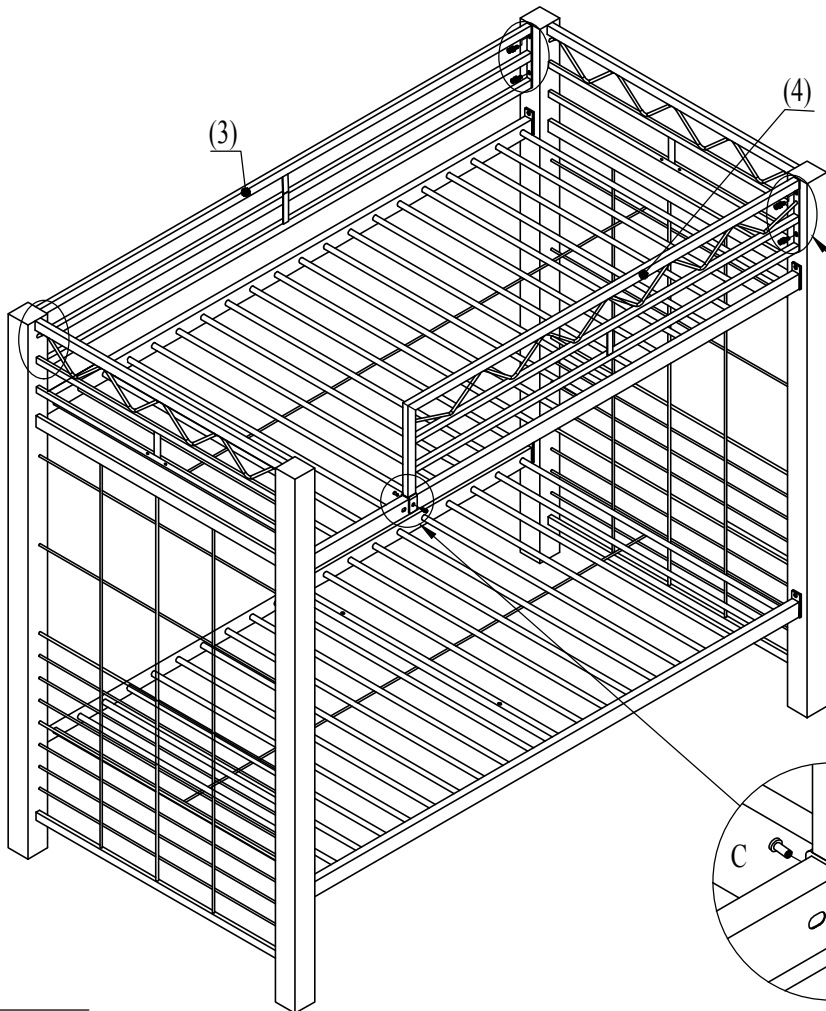



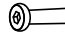

- B  8PCS
- D 

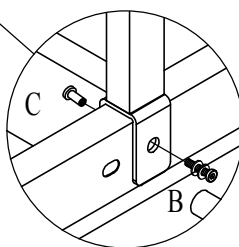
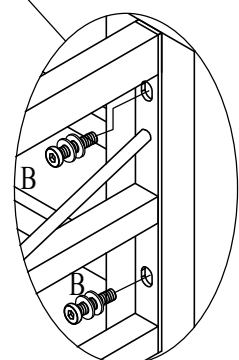


Align letter A on Top mattress support with the A on the Left side facing end panel

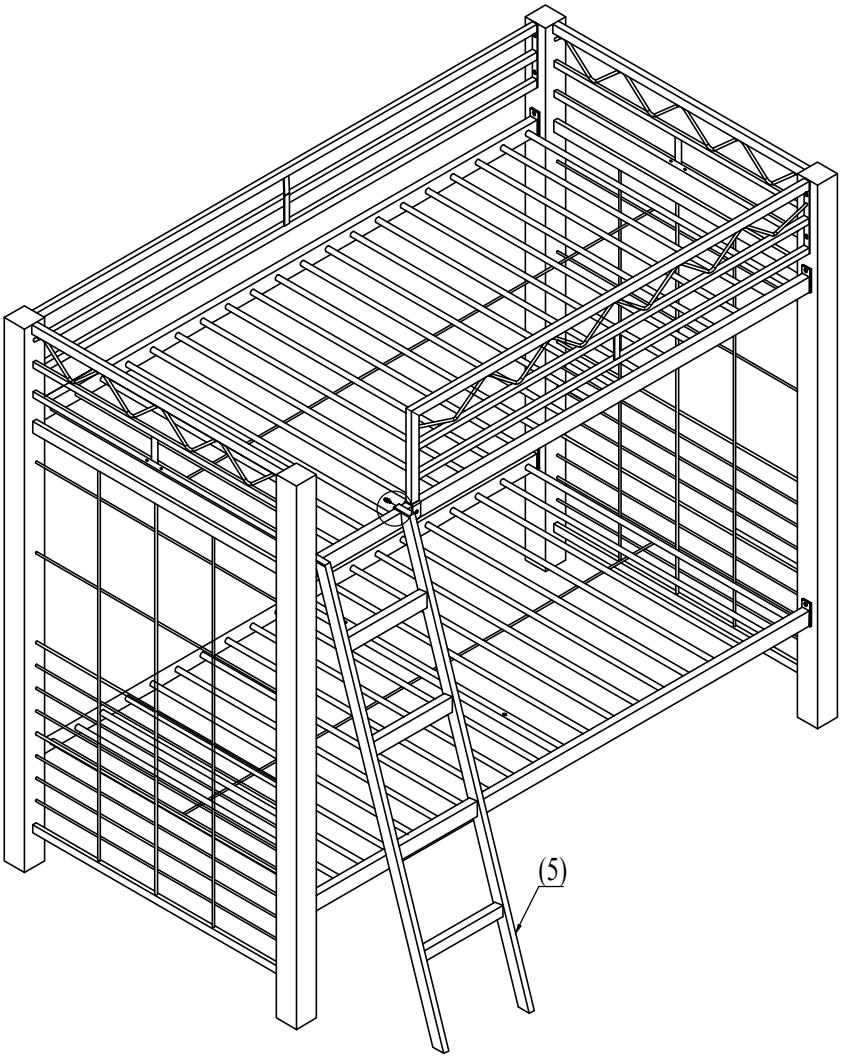
STEP 2:





- B  7PCS
- C  1PC
- D  2PCS

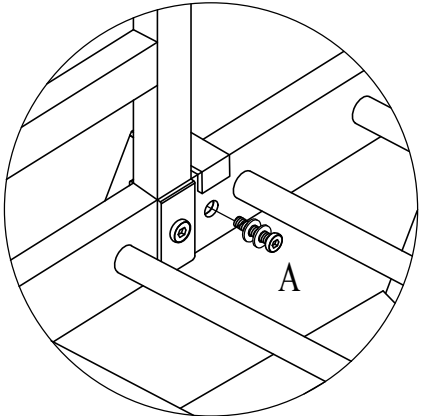


STEP 3:

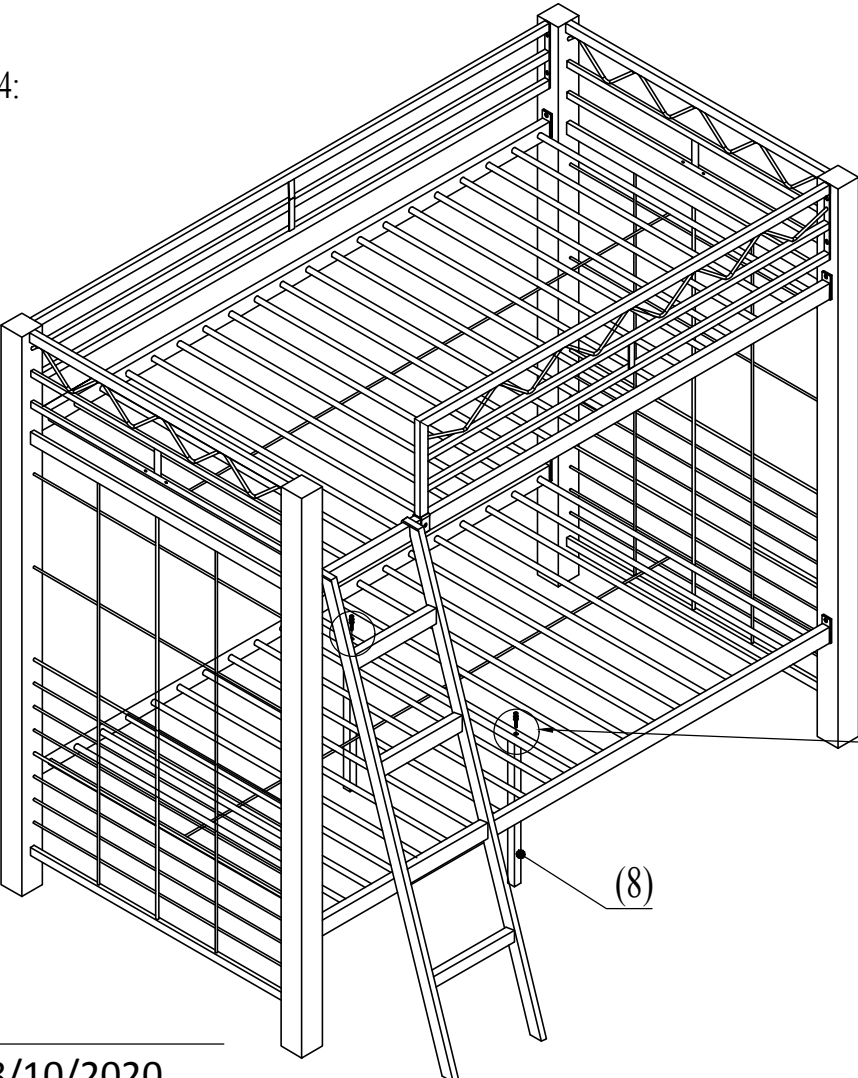




A  2pcs
D 

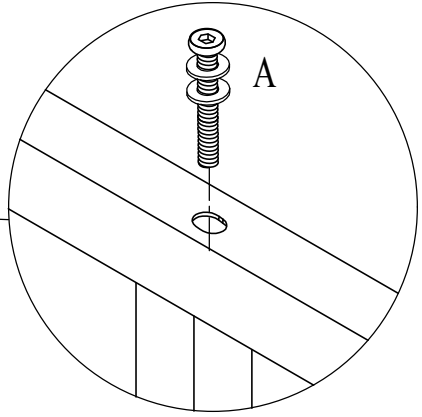
FOLLOW THE INFORMATION ON THE WARNING APPEARING ON THE UPPER BUNK END STRUCTURE AND ON THE CARTON. DO NOT REMOVE WARNING LABEL FROM BED. KEEP THESE INSTRUCTION FOR FUTURE REFERENCE.



STEP 4:



A  2pcs
D 



Safety Warnings

1. Follow the information on the warnings appearing on the upper bunk end structure and on the carton .Do not remove warning label from bed.
2. Always use the recommended size mattress or mattress support, or both, to help prevent the likelihood of entrapment or falls.
3. Ensure thickness of mattress and foundation combined does not exceed "8" " and mattress surface is at least 5 inches (127 mm) below upper edge of guardrails for upper bunk and thickness of mattress and foundation combined does not exceed "10" " for lower bunk .
4. Do not allow children under 6 years of age to use the upper bunk.
5. Periodically check and ensure that the guardrail, ladder, and other components are in their proper position, free from damage, and that all connectors are tight.
6. Do not allow horseplay on or under the bed and prohibit jumping on the bed.
7. Always use the ladder for entering and leaving the upper bunk.
8. Do not use substitute parts ,Contact manufacturer or dealer for replacement parts.
9. Use of a night light may provide added safety precaution for a child using the upper bunk.
10. Always use guardrails on both long sides of the upper bunk.
If the bunk bed will be placed next to the wall, the guardrail that runs the full length of the bed should be placed against the wall to prevent entrapment between the bed and the wall.
11. The use of water or sleep flotation mattress is prohibited.
12. Keep these instructions for future reference.
13. Use only mattress which is (74"x75")X(53 1/2"x54 1/2")X6" on upper bunk and bottom bunk .
14. Prohibit more than one person on upper bunk.
15. Replacement Parts—Replacement parts, including additional guardrails, may be obtained from any of our (Princemate Vietnam Ltd.) dealers

STRANGULATION HAZARD:

Never attach or hang items to any part of the bunk bed that are not designed for use with the bed, for example, but not limited to, hooks, belts, and jumpropes.