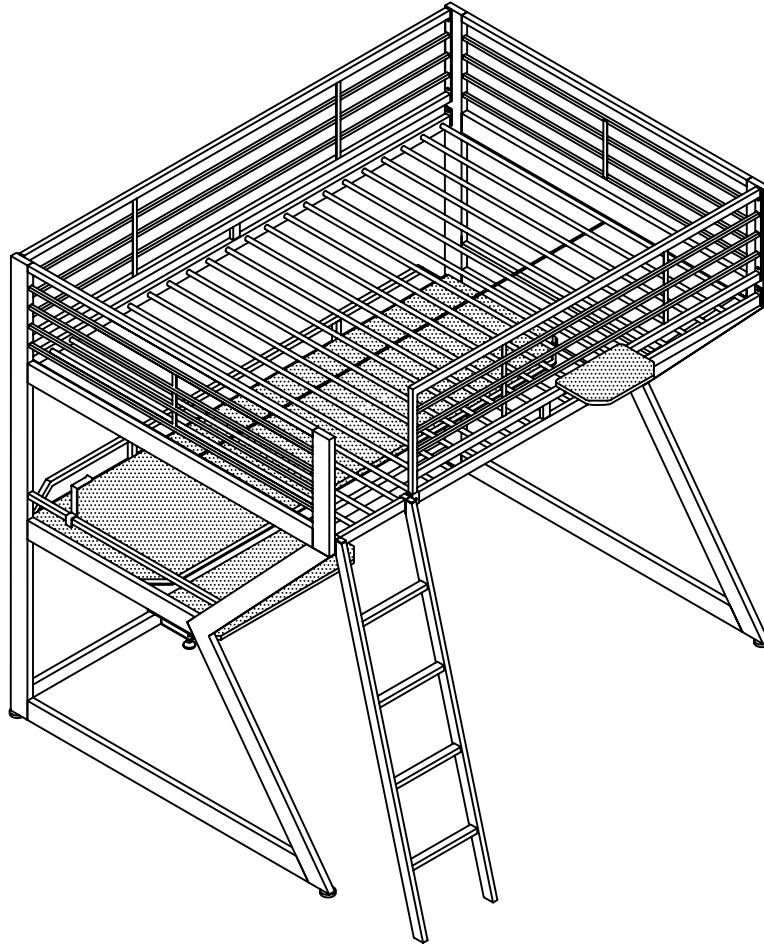


CARBON OPTIX

FULL GAMING LOFT BED WITH LED LIGHT AND ACCESSORIES



Use only correct mattress dimensions:
Full size mattress- 74" - 75" long and 52-1/2"-53-1/2" wide

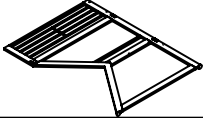
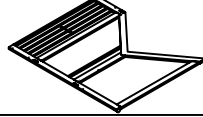
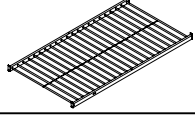

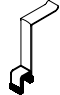
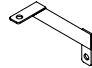
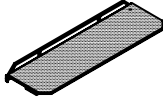
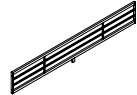
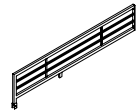
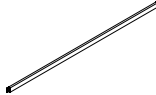

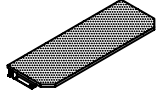


DO NOT USE SUBSTITUTE PARTS. PLEASE CONTACT YOUR RETAIL STORE OR WWW.ROOMSTOGO.COM
WITH SERVICE OR PARTS REPLACEMENT REQUEST

This product is manufactured by WRLW for **ROOMS TO GO** | **KIDS**

Version 02-2023/03/20

PAGE 01 of 16

3411261P BLACK / 3421261P WHITE
FULL GAMING LOFT BED WITH LED LIGHT AND ACCESSORIES

SKU#	STYLE#	PART#	DESCRIPTION	IMAGE	QTY
36312611/ 36312623	31268B-1/ 31268W-1	1	LEFT SIDE FRAME		1
		2	RIGHT SIDE FRAME		1
		3	BASE FRAME		1
		4	LED POWER PLUG		1
		12	HEADPHONE HOOK		1
		13	SUPPORT BAR		2
36412613/ 36412625	31268B-2/ 31268W-2	5	DESK TOP WITH LED LIGHT		1
		6	BACK GUARDRAIL		1
		7	FRONT GUARDRAIL		1
		8	BOTTOM BAR		1
		9	LADDER		1
		10	BIG SHELF		1
		11	SMALL SHELF		1
		14	E701 REMOTE CONTROL WITH LITHIUM BATTERY Type:CR2025		1

DO NOT USE SUBSTITUTE PARTS. PLEASE CONTACT YOUR RETAIL STORE OR WWW.ROOMSTOGO.COM WITH SERVICE OR PARTS REPLACEMENT REQUEST

This product is manufactured by WRLW for **ROOMS TO GO** | **KIDS**

MATTRESS AND BUNKIE BOARD CHART

PACKAGE	DESCRIPTION	TOP BED	BOTTOM BED
3411261P (BLACK)	FULL GAMING LOFT BED WITH LED LIGHT AND ACCESSORIES	Full Mattress Full Bunkie board recommended	NA
3421261P (WHITE)	FULL GAMING LOFT BED WITH LED LIGHT AND ACCESSORIES	Full Mattress Full Bunkie board recommended	NA

Use only correct mattress dimensions:
 Full size mattress- 74" - 75" long and 52-1/2"-53-1/2" wide
 Full size Bunkie board-74" long and 54" wide

DO NOT USE SUBSTITUTE PARTS. PLEASE CONTACT YOUR RETAIL STORE OR WWW.ROOMSTOGO.COM WITH SERVICE OR PARTS REPLACEMENT REQUEST

This product is manufactured by WRLW for **ROOMS TO GO** | **KIDS**

Version 02-2023/03/20

PAGE 03 of 16



WARNING DANGER:

Failure to follow these warnings and assembly instructions could result in serious injury or death. To help prevent serious or fatal injuries from entrapment or falls:

- Read all instructions before assembling bunk bed and keep these instructions for future reference.
- Before each usage or assembly, inspect bunk bed for damaged hardware, loose joints, missing parts, or sharp edges. DO NOT use bunk bed if any parts are missing or broken.
- DO NOT use substitute parts. Contact your local Rooms To Go or visit www.ROOMSTOGO.com for replacement parts and instructional literature if needed.
- Follow the information on the warnings appearing on the upper bunk end structure and on the carton. DO NOT REMOVE WARNING LABEL FROM BED.
- Always use the recommended size mattresses or mattress supports, or both, to help prevent the likelihood of entrapment or falls.
- Ensure thickness of mattress and does not exceed 10" and mattress surface is at least 5 inches (127mm) below upper edge of guardrails for the upper bunk.
- Do not allow children under 6 years of age to use the upper bunk.
- Periodically check and ensure that the guardrail, ladder, and other components are in their proper position, free from damage, and that all connectors are tight.
- Do not allow horseplay on or under the bed and prohibit jumping on the bed.
- Limit top bunk use to one person.
- Always use the ladder for entering and leaving the upper bunk.
- Use of a night light may provide added safety precaution for a child using the upper bunk.
- Always use guardrails on both long sides of the upper bunk. If the bunk bed will be placed next to the wall, the guardrail that runs the full length of the bed should be placed against the wall to prevent entrapment between the bed and wall.
- The use of water or sleep flotation mattresses is prohibited.
- This bunk bed meets all the requirements of ASTM 1427.



STRANGULATION HAZARD:

Never attach or hang items to any part of the bunk bed that are not designed for use with the bed; for example, but not limited to, hooks, belts and jump ropes.

DO NOT USE SUBSTITUTE PARTS. PLEASE CONTACT YOUR RETAIL STORE OR WWW.ROOMSTOGO.COM WITH SERVICE OR PARTS REPLACEMENT REQUEST

P r e - A s s e m b l y

Warning:

The bed slats included with this bed will support a mattress alone, this bed does not require Bunkie boards.

Read all the instructions, identify all components, choose your configuration, and be sure you have all parts prior to assembly.

Two people are needed to assemble.

Tools Needed

4mm allen wrench (included)

5mm allen wrench (included)

MAKE SURE ALL BOLTS ARE TIGHTENED COMPLETELY

CARE INSTRUCTIONS:

Dust with a clean, soft cloth. Avoid the use of all abrasive cleaners.

PLEASE CONTACT YOUR RETAIL STORE WITH SERVICE OR PARTS REPLACEMENT REQUEST

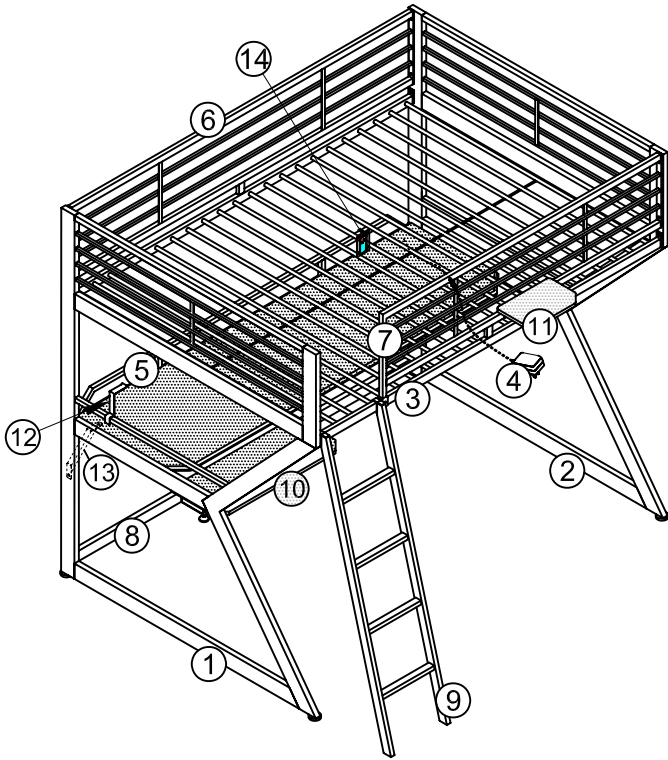
DO NOT USE SUBSTITUTE PARTS. PLEASE CONTACT YOUR RETAIL STORE OR WWW.ROOMSTOGO.COM
WITH SERVICE OR PARTS REPLACEMENT REQUEST

This product is manufactured by WRLW for **ROOMS TO GO** | **KIDS**

Version 02-2023/03/20

PAGE 05 of 16

Parts List



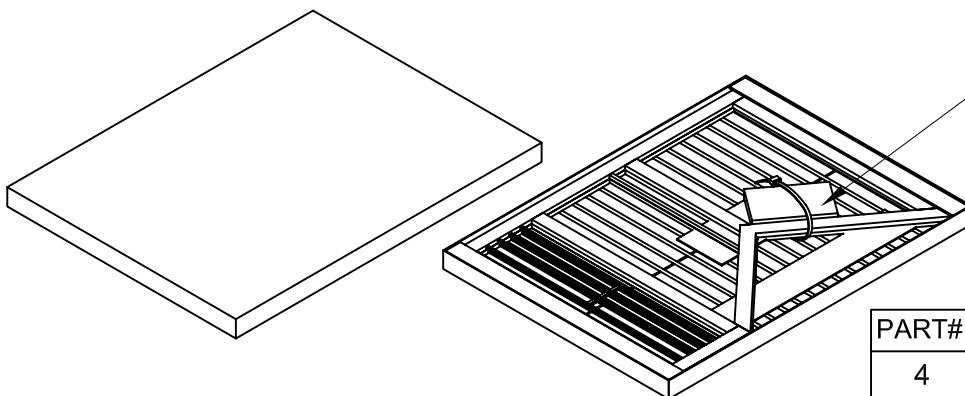
NO.	ITEM DESCRIPTION	IMAGE	QTY
A	1/4"x20x5/8"		21
B	1/4"x20x1-1/4"		4
C	1/4"x20x2-1/4"		2
D	5/16"x18x1-1/4"		2
E	1/4"x22mm		1
F	4x4x60mm		2
G	5x5x60mm		1
H	5/16"x18xφ2"		4
J	5/16"x18xφ1-1/2"		2

Hardware Pack Location:

Hardware Pack Location:

SKU#	STYLE#	DESCRIPTION
36312611	31268B-1	FULL LOFT HEADBOARDS WITH FRAME
36312623	31268W-1	FULL LOFT HEADBOARDS WITH FRAME

31268B / 31268W
Hardware Pack & parts 4 ,12 & 13 location



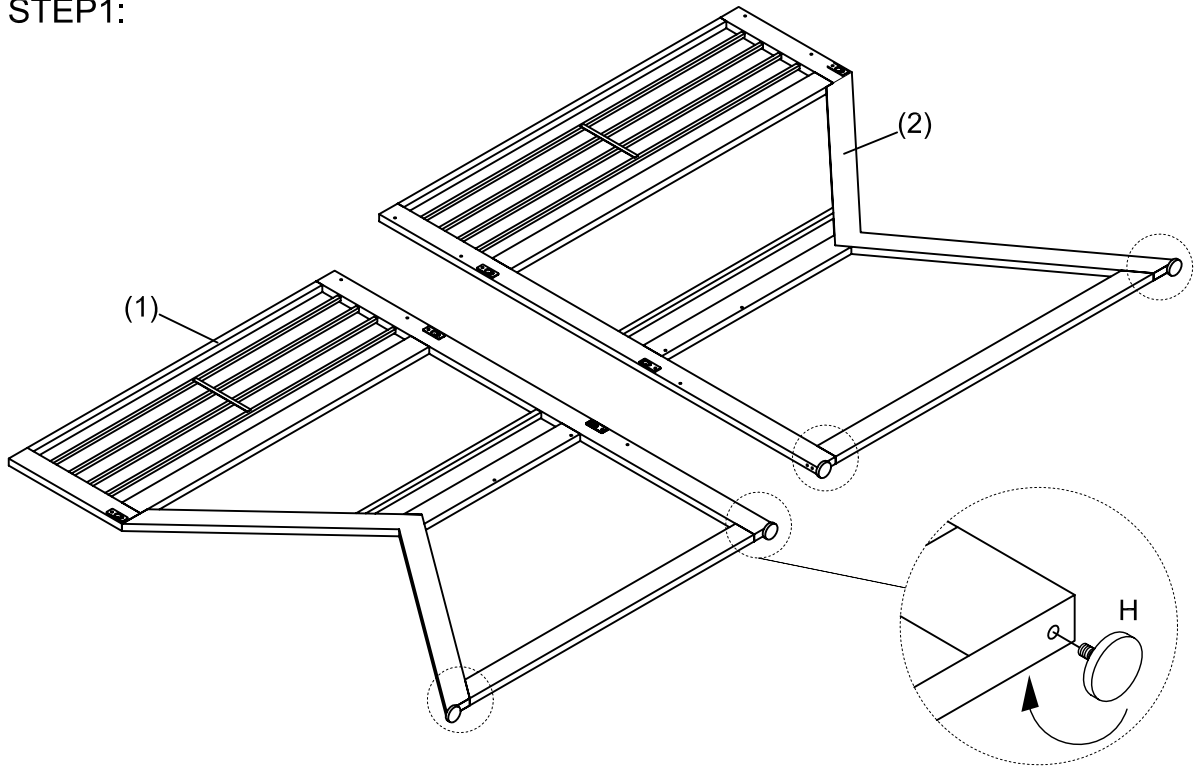
PART#	DESCRIPTION	IMAGE	QTY
4	LED POWER PLUG		1
12	HEADPHONE HOOK		1
13	SUPPORT BAR		2

DO NOT USE SUBSTITUTE PARTS. PLEASE CONTACT YOUR RETAIL STORE OR WWW.ROOMSTOGO.COM WITH SERVICE OR PARTS REPLACEMENT REQUEST

This product is manufactured by WRLW for **ROOMS TO GO** | **KIDS**

Assembly Instructions:

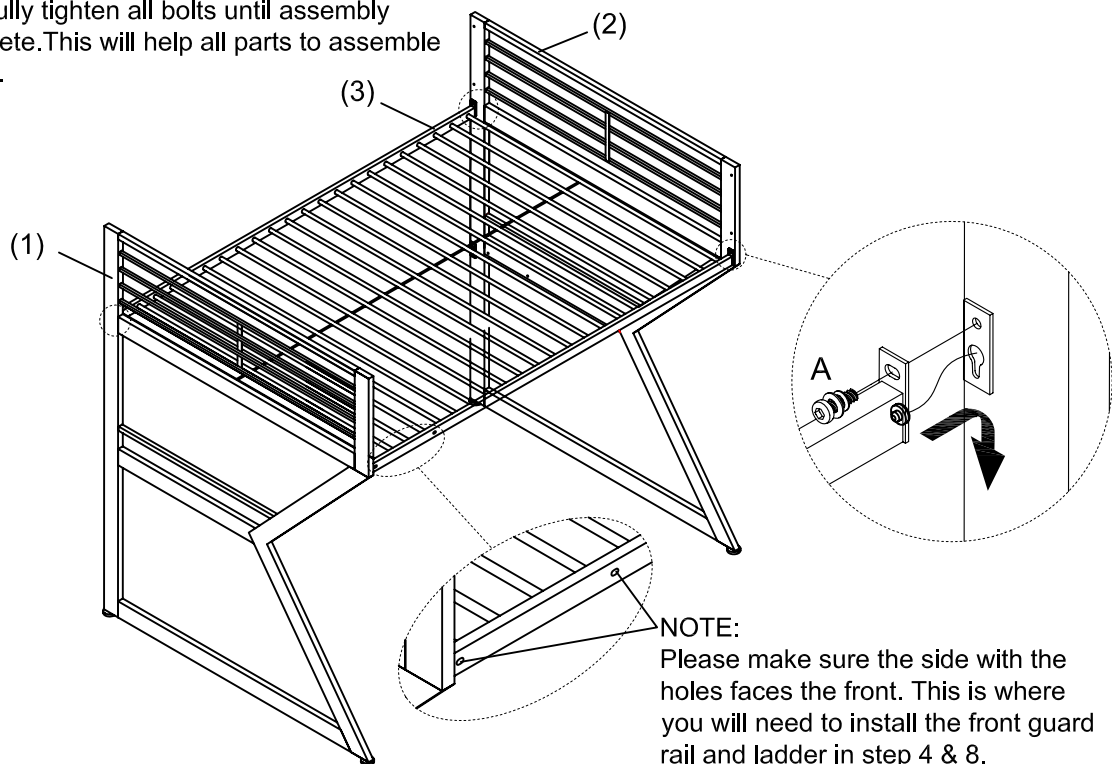
STEP1:



STEP2:

ASSEMBLY

Do not fully tighten all bolts until assembly is complete. This will help all parts to assemble properly.



DO NOT USE SUBSTITUTE PARTS. PLEASE CONTACT YOUR RETAIL STORE OR WWW.ROOMSTOGO.COM WITH SERVICE OR PARTS REPLACEMENT REQUEST

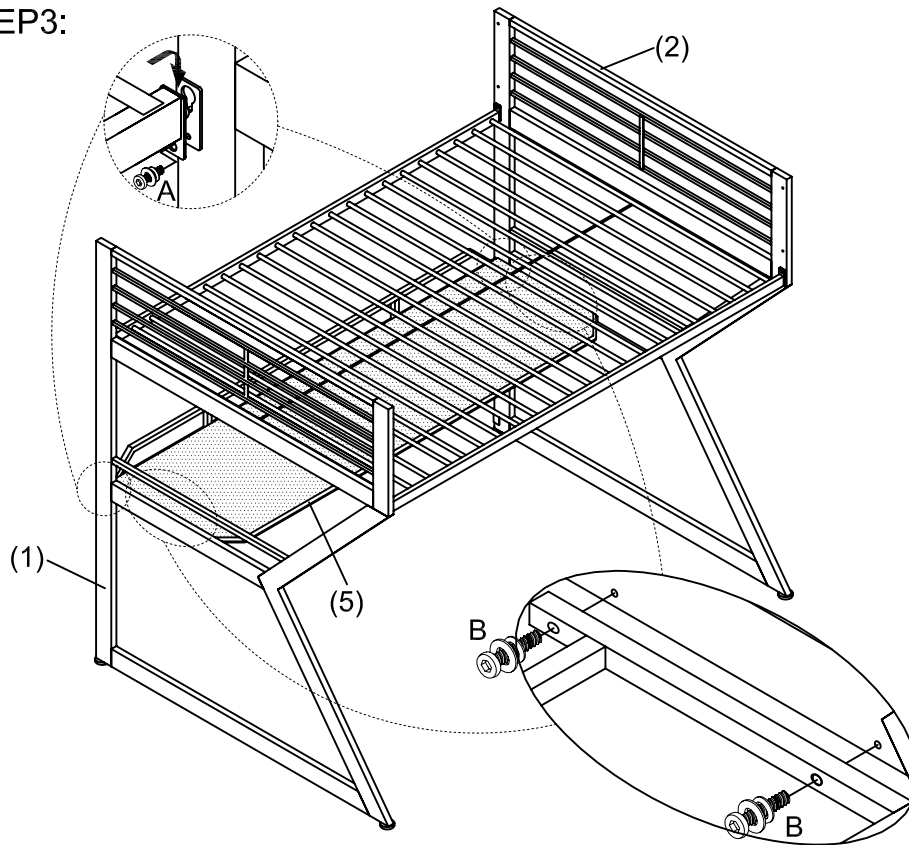
This product is manufactured by WRLW for **ROOMS TO GO** | **KIDS**

Version 02-2023/03/20

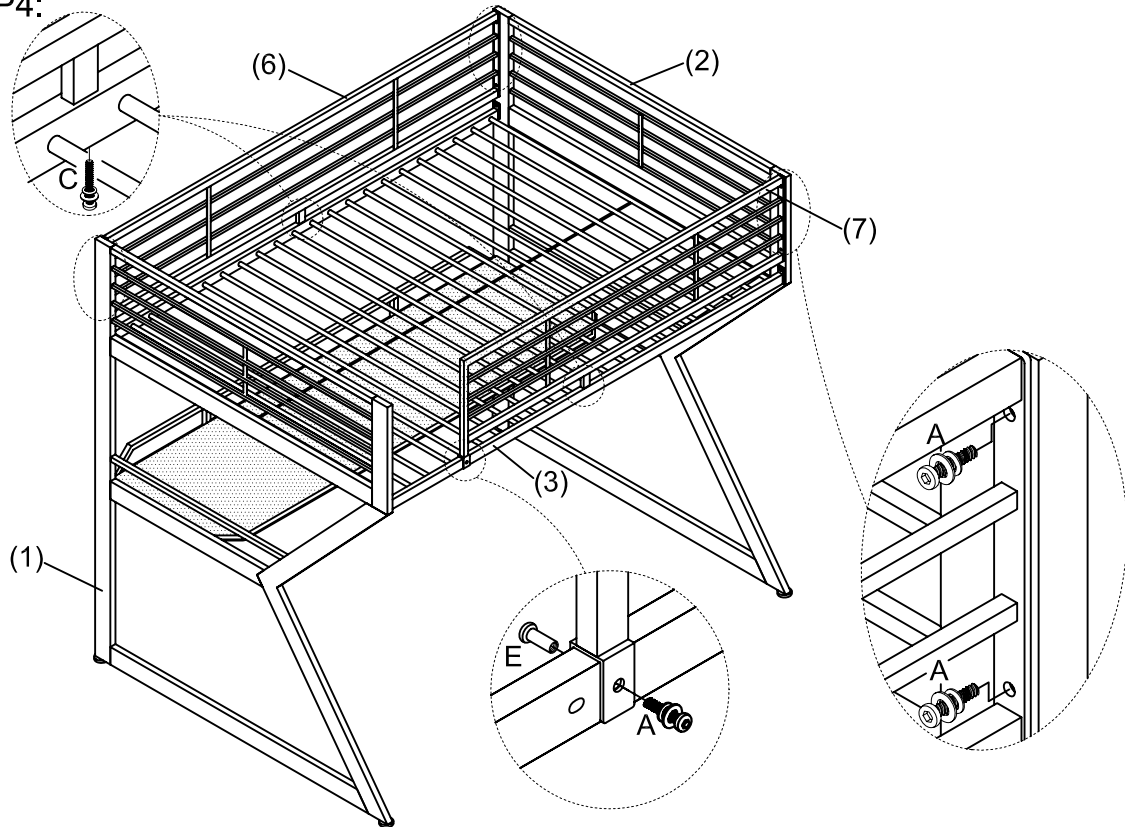
PAGE 07 of 16

Assembly Instructions:

STEP3:



STEP4:



DO NOT USE SUBSTITUTE PARTS. PLEASE CONTACT YOUR RETAIL STORE OR WWW.ROOMSTOGO.COM WITH SERVICE OR PARTS REPLACEMENT REQUEST

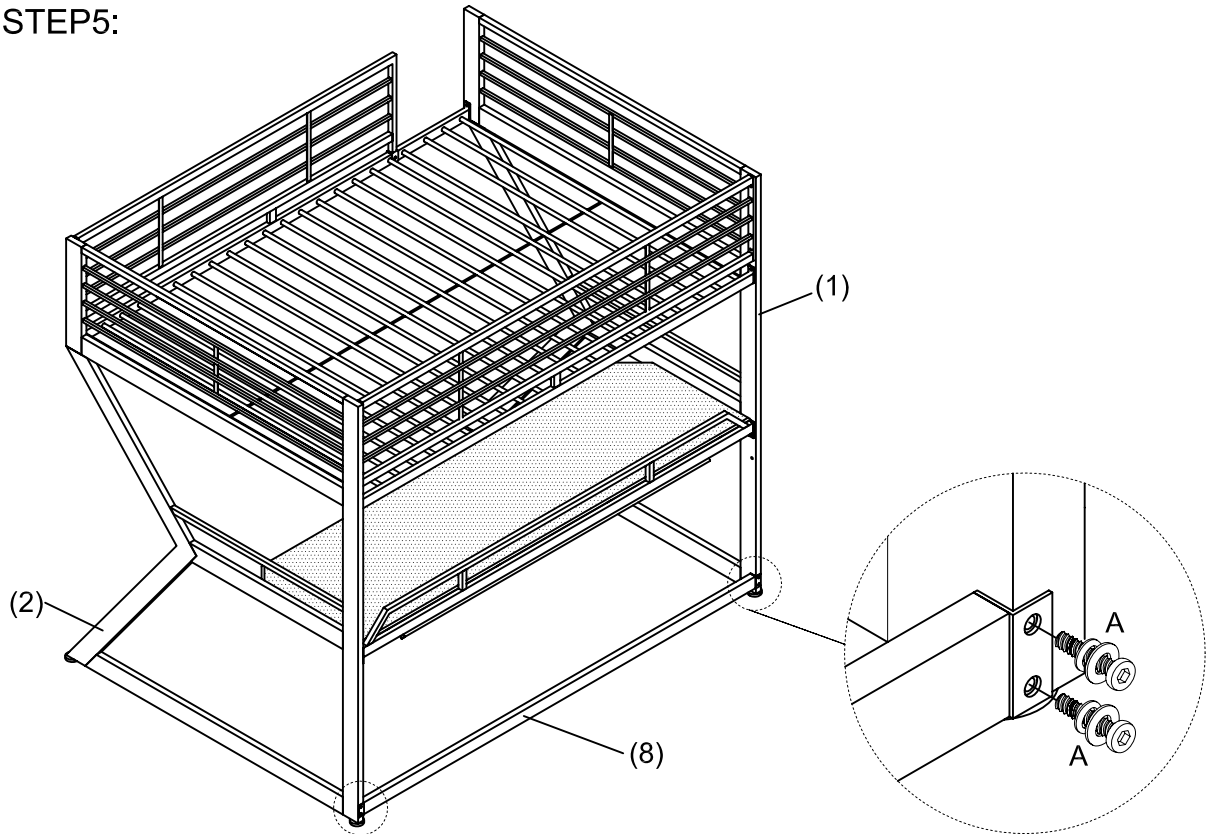
This product is manufactured by WRLW for **ROOMS TO GO** | **KIDS**

Version 02-2023/03/20

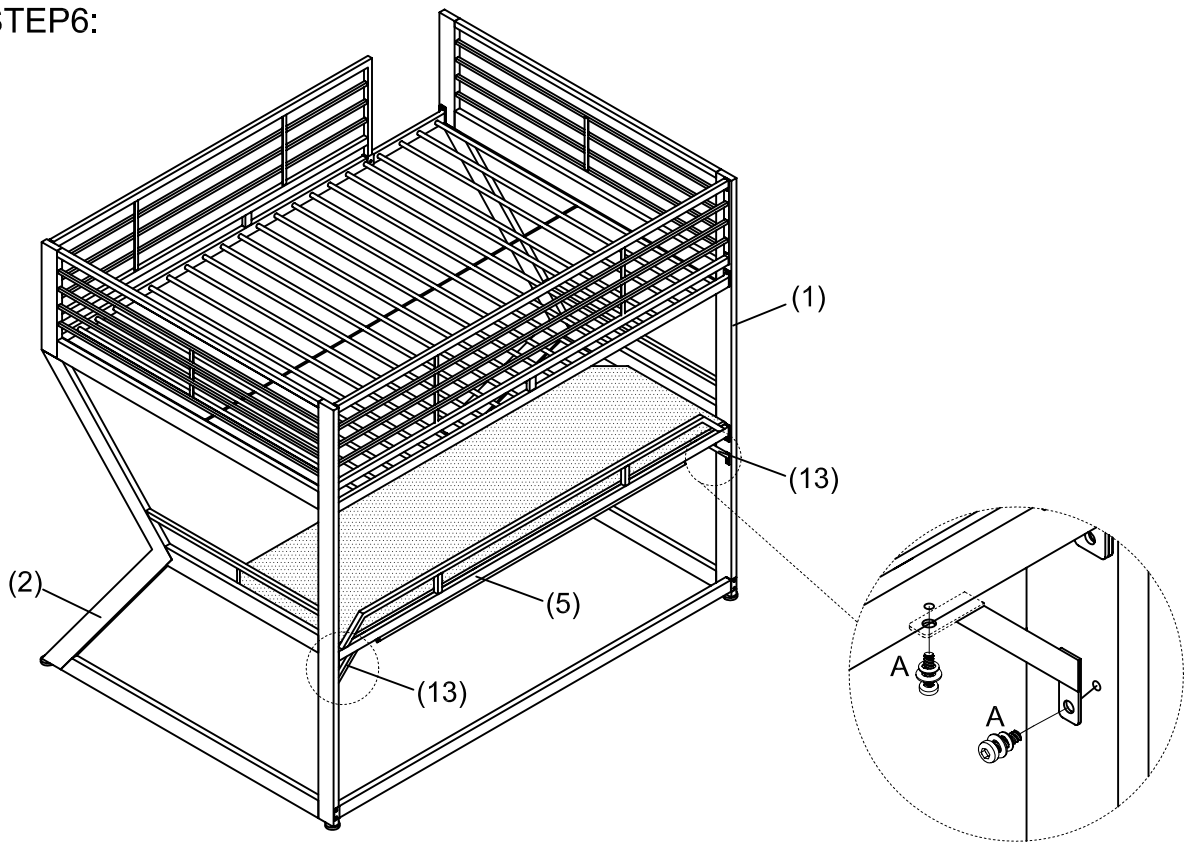
PAGE 08 of 16

Assembly Instructions:

STEP5:



STEP6:



DO NOT USE SUBSTITUTE PARTS. PLEASE CONTACT YOUR RETAIL STORE OR WWW.ROOMSTOGO.COM WITH SERVICE OR PARTS REPLACEMENT REQUEST

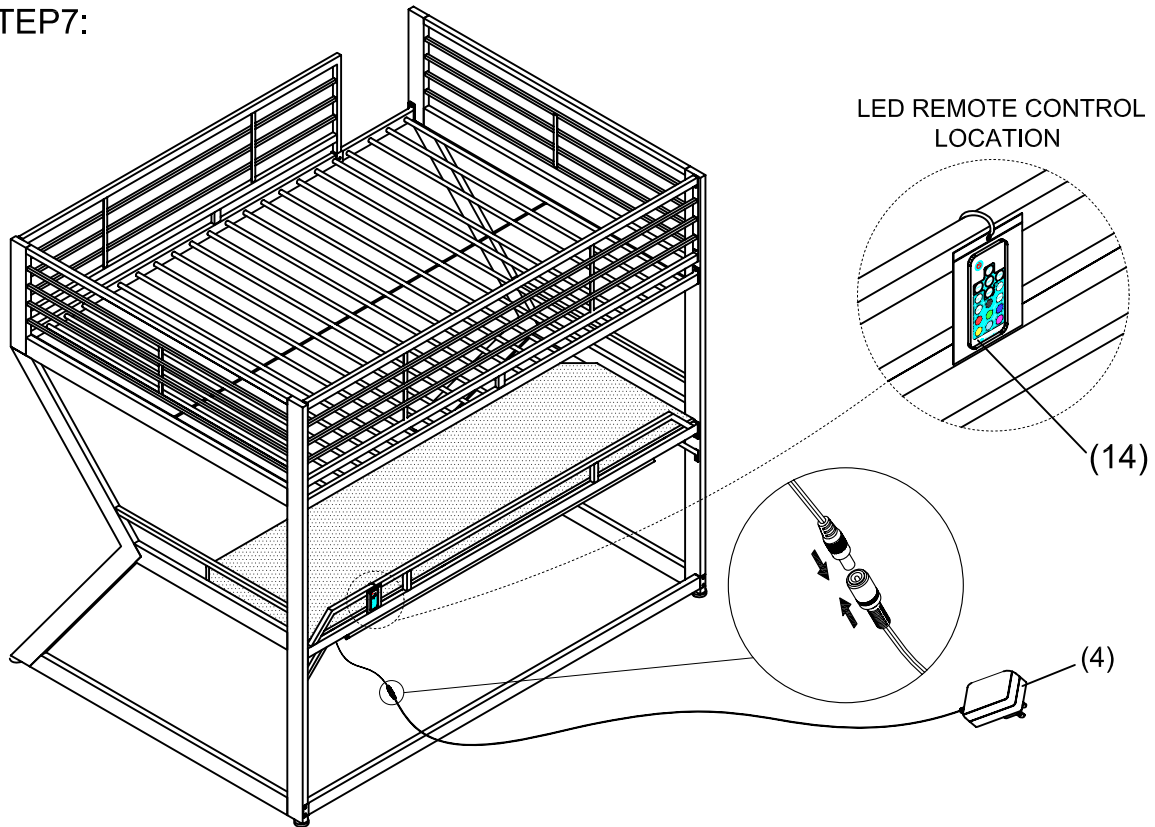
This product is manufactured by WRLW for **ROOMS TO GO** | **KIDS**

Version 02-2023/03/20

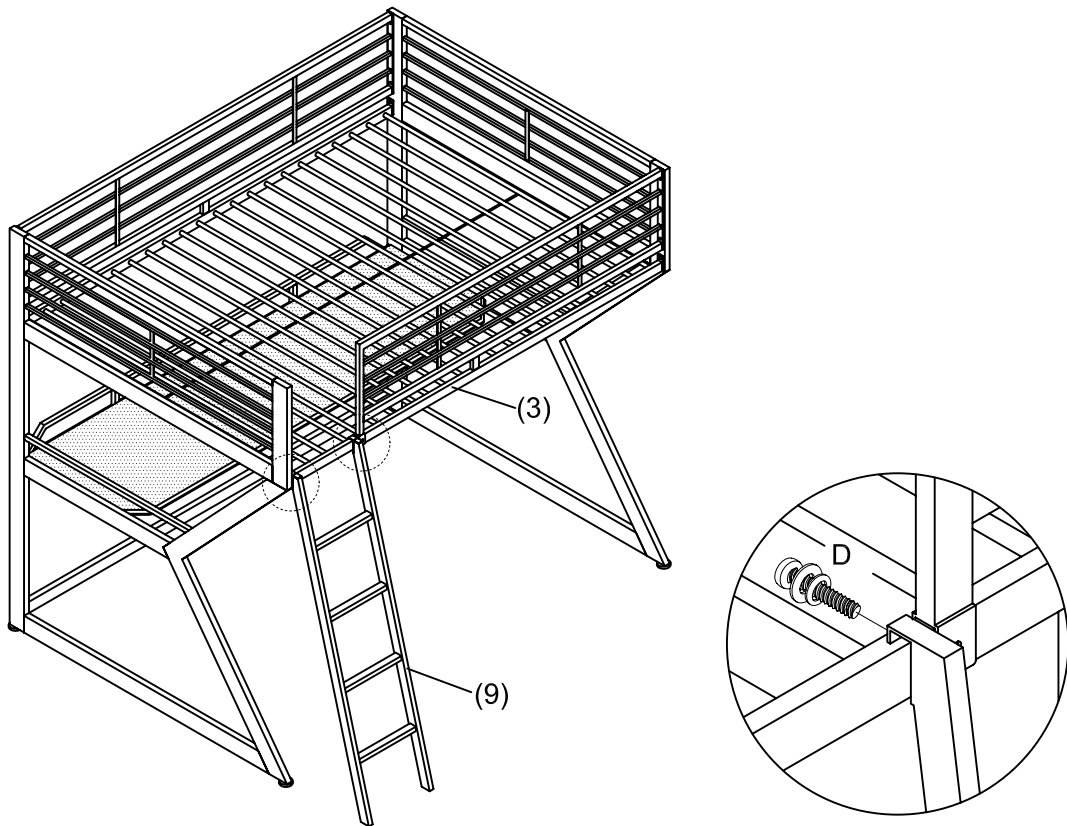
PAGE 09 of 16

Assembly Instructions:

STEP7:



STEP8:



DO NOT USE SUBSTITUTE PARTS. PLEASE CONTACT YOUR RETAIL STORE OR WWW.ROOMSTOGO.COM WITH SERVICE OR PARTS REPLACEMENT REQUEST

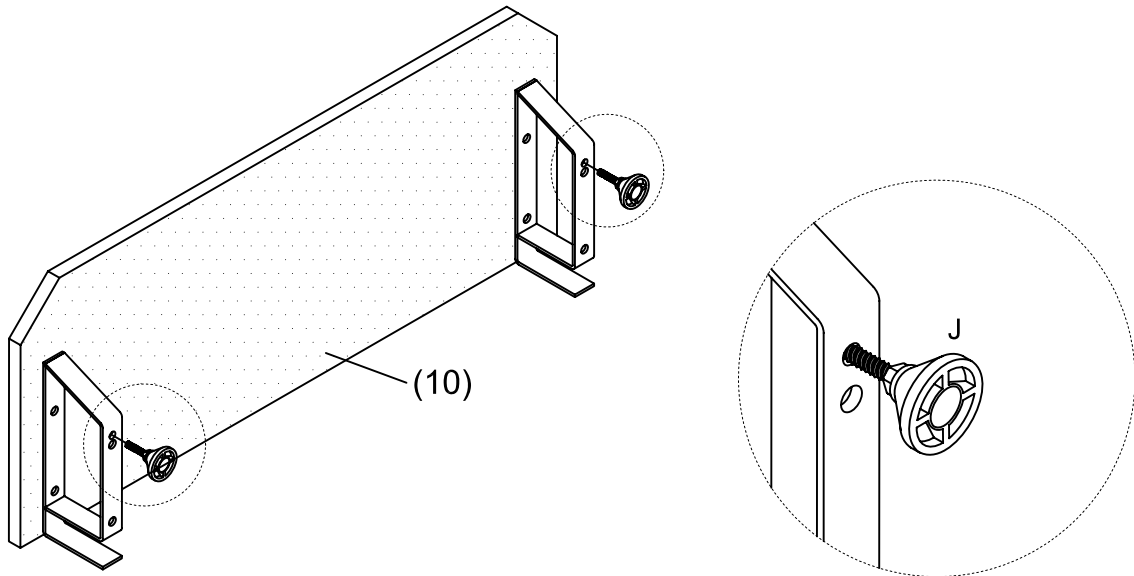
This product is manufactured by WRLW for **ROOMS TO GO** | **KIDS**

Version 02-2023/03/20

PAGE 10 of 16

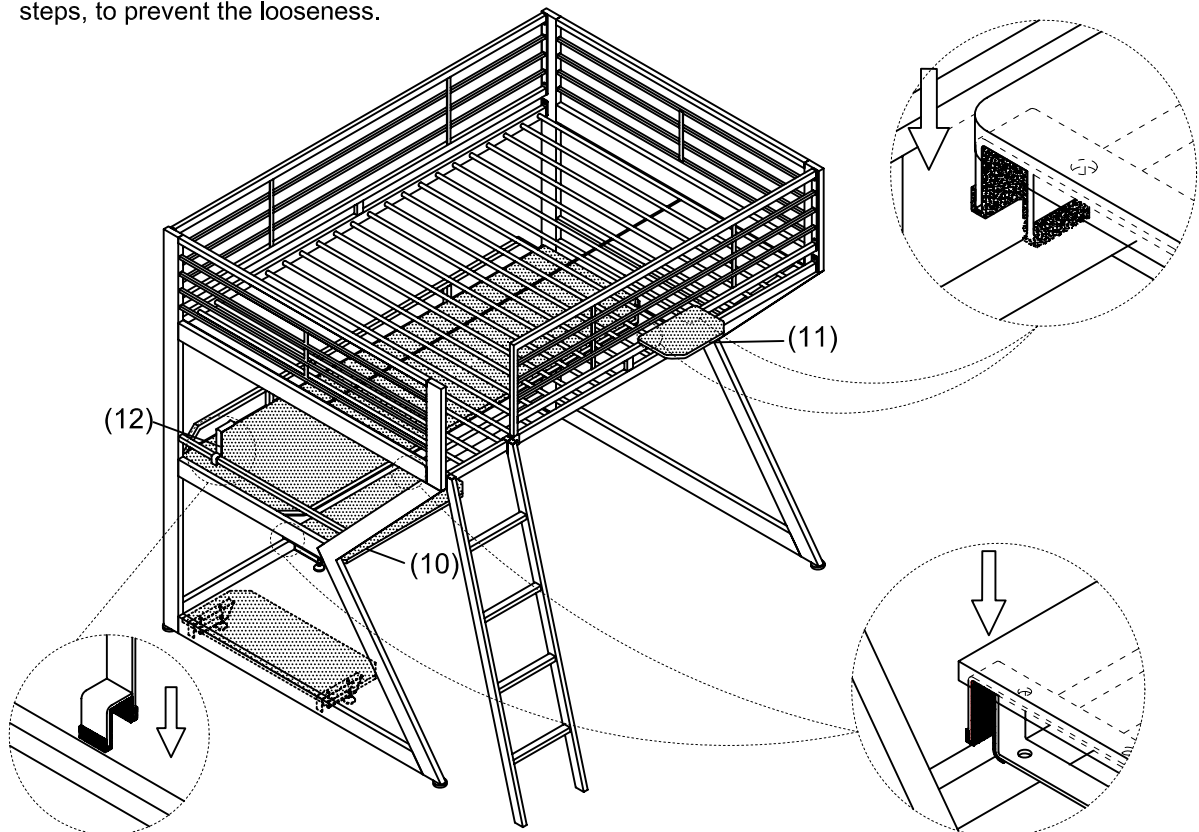
Assembly Instructions:

STEP9:



STEP10:

Note: Please adjust any parts out of alignment and fully tighten the bolts before assemble the following steps, to prevent the looseness.



DO NOT USE SUBSTITUTE PARTS. PLEASE CONTACT YOUR RETAIL STORE OR WWW.ROOMSTOGO.COM WITH SERVICE OR PARTS REPLACEMENT REQUEST

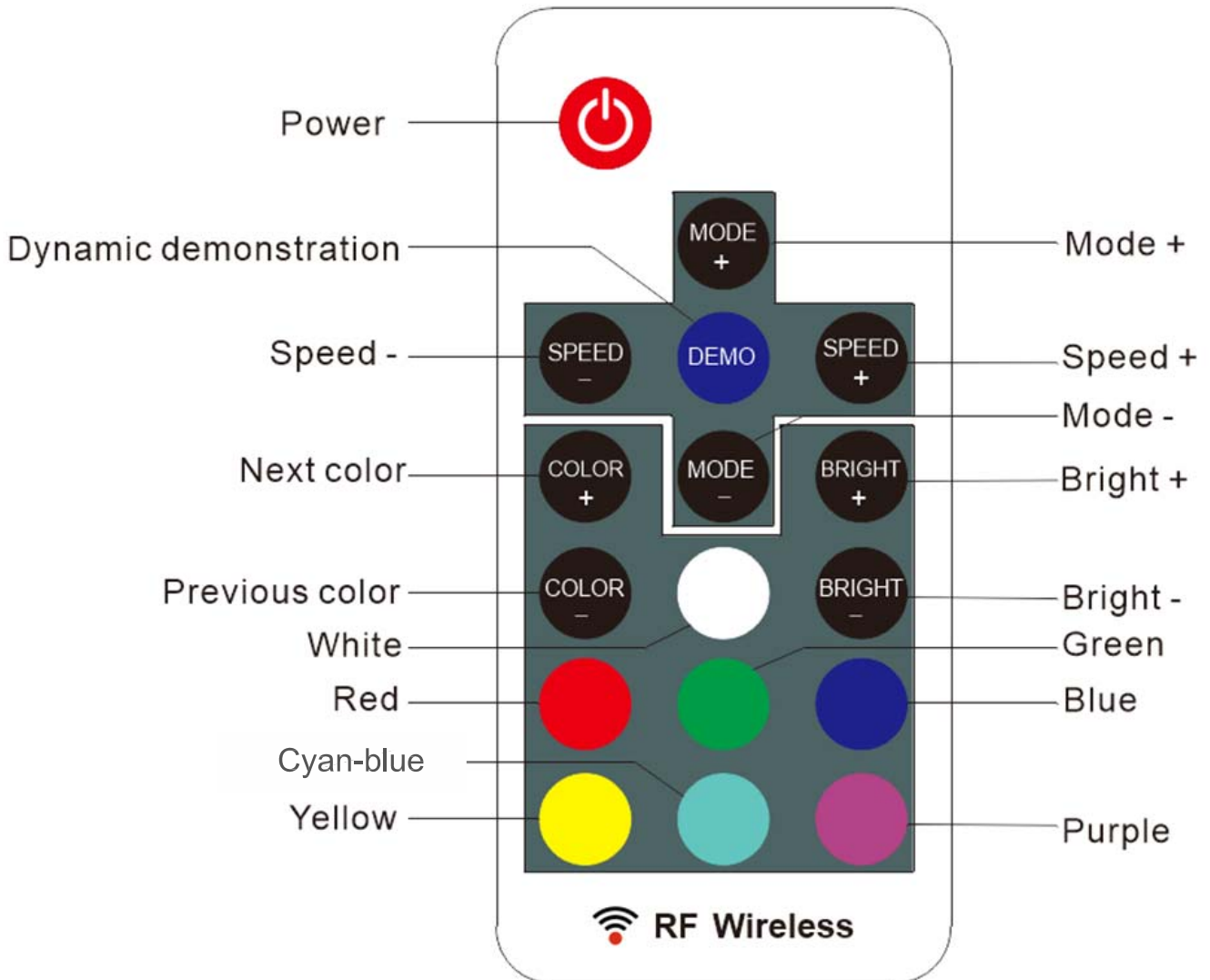
This product is manufactured by WRLW for **ROOMS TO GO** | **KIDS**

Version 02-2023/03/20

PAGE 11 of 16

Manual:

- Panel description**



Manual:

● Key description

(+ - Cycle Pick)

Key	Function	Explanation
POWER	On/Off	The status information will be saved when shutdown, and the state of the last shutdown will be restored when startup
MODE+/MODE -	Switch mode	Built-in 15 modes (static monochrome, monochrome gradient, monochrome jump 3 modes 7 colors adjustable)
COLOR+/COLOR-	Switch color	In red, green, blue, yellow, blue, purple, white 7 color cycle selection (in static monochrome, monochrome gradient, monochrome jump 3 modes adjustable)
SPEED+/SPEED-	Switch speed	Level 1-10 speed cycle selection
BRIGHT+/BRIGHT-	Adjust brightness	Level 0-9 Brightness cycle selection (0 equals off)
DEMO	Dynamic demonstration	Seven color demo mode
COLOR KEY	Color selection	Turn on the static colors of red, green, blue, yellow, Cyan-blue, purple or white.

Manual:

● Mode declaration

NO	Model name	Explanation
1	Static monochrome	COLOR+/COLOR- key to select a static color
2	Single color gradient	COLOR+/COLOR- key to select a static color
3	RGB gradual change	Red, green and blue lights up slowly and fade out slowly
4	YCM gradual change	Yellow, Cyan-blue and purple lights up slowly and fade out slowly
5	RGBYCMW gradual	Red, green, blue, yellow, Cyan-blue, purple and white lights up slowly and fade out slowly
6	RGB Different color cycles light up gradually	The cycle of red, green and blue gradually lights up
7	YCM Different color cycles light up gradually	The cycle of yellow, Cyan-blue and purple gradually lights up
8	RGBYCMW Different color cycles light up gradually	The cycle of red, green, blue, yellow, Cyan-blue, purple and white gradually lights up
9	Monochrome flash and bright off cycle	COLOR+/COLOR- key to select flash color
10	RGB three colors flash and bright off cycle	Red, green and blue flash and bright off cycle
11	YCM three colors flash and bright off cycle	Yellow, Cyan-blue and purple flash and bright off cycle
12	RGBYCMW seven colors flash and bright off cycle	The cycle of red, green, blue, yellow, Cyan-blue, purple and white flash and bright off cycle
13	RGB three colors are lit up in cycles	Red, green and blue are lit up in cycles
14	YCM three colors are lit up in cycles	Yellow, Cyan-blue and purple are lit up in cycles
15	RGBYCMW seven colors are lit up in cycles	The cycle of red, green, blue, yellow, Cyan-blue, purple and white are lit up in cycles

Warning:



Misuse can result in FIRE or DEATH by ELECTRICAL SHOCK

12VDC/2A
eMoMo Technology Co.,Ltd
R241-1202000U

Read all instructions before using this furnishing.

DANGER – To reduce the risk of electric shock

1. Always unplug this furnishing from the electrical outlet before cleaning or servicing.

WARNING – To reduce the risk of burns, fire, electric shock, or injury to persons:

1. Unplug from outlet before putting on or taking off parts.
2. Never operate this furnishing if it has a damaged electrical cord or plug, if it is not working properly, or if the electrical cord or plug has been damaged or dropped into water. Stop using this furnishing and call a service center for examination and repair.
3. Keep the electrical cord and plug away from heated surfaces and other heat sources.
4. To disconnect, turn all controls to the off position, then remove plug from outlet.
5. When operating, ensure that electrical cord is not under the base, legs, or motion mechanism to avoid damage to electrical cord or plug.
6. Do not strain or stretch electrical cord.
7. Do not use extension cords or power strips.
8. Keep out of reach of children. This is not a toy.
9. Plug directly into a compatible electrical socket.
10. Do not modify the plug or use any adapters.

Warning:



El mal uso puede provocar INCENDIO o MUERTE por DESCARGA ELÉCTRICA

12VDC/2A

eMoMo Technology Co.,Ltd

R241-1202000U

Leer todas las instrucciones antes de usar este mobiliario.

PELIGRO – Para reducir el riesgo de descarga eléctrica:

1. Siempre desenchufe este accesorio de la toma de corriente eléctrica antes de limpiarlo o repararlo.

ADVERTENCIA: para reducir el riesgo de quemaduras, incendios, descargas eléctricas o lesiones a personas:

1. Desenchufe del tomacorriente antes de colocar o quitar partes.
2. Nunca opere este accesorio si tiene un cable o enchufe eléctrico dañado, si no funciona correctamente, o si el cable o el enchufe eléctrico se ha dañado o se ha caído al agua. Deje de usar este equipamiento y llame a un centro de servicio para que lo examinen y lo reparen.
3. Mantenga el cable eléctrico y el enchufe lejos de superficies calientes y otras fuentes de calor.
4. Para desconectar, gire todos los controles a la posición de apagado, luego retire el enchufe del tomacorriente.
5. Al operar, asegúrese de que el cable eléctrico no esté debajo de la base, las patas o el mecanismo de movimiento para evitar dañar el cable eléctrico o el enchufe.
6. No fuerce ni estire el cable eléctrico.
7. No utilizar cables de extensión o tomas de corriente.
8. Mantener fuera del alcance de los niños. Esto no es un juguete.
9. Enchúfelo directamente a una toma de corriente compatible.
10. No modifique el enchufe ni utilice adaptadores.