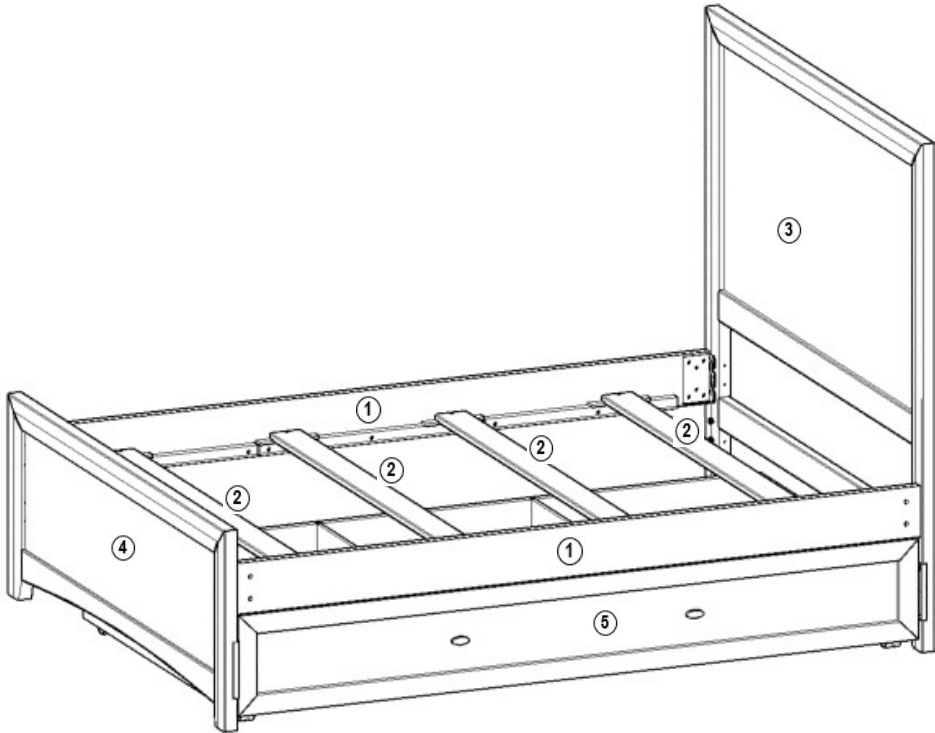



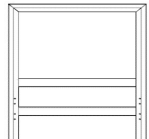





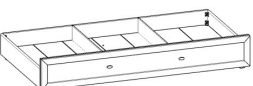
# PARTS LIST



3412360P FULL PANEL BED WALNUT		
RTG SKU #	STYLE #	ITEM DESCRIPTION
34923602	3260117	FULL PANEL HEADBOARD
35123607	3260815	FULL FOOTBOARD
35223609	3260771	2 PC SIDE RAILS
38100234	100-646	FULL SLAT PACK (4)
34934009	34C-744	TRUNDLE BED OPTIONAL

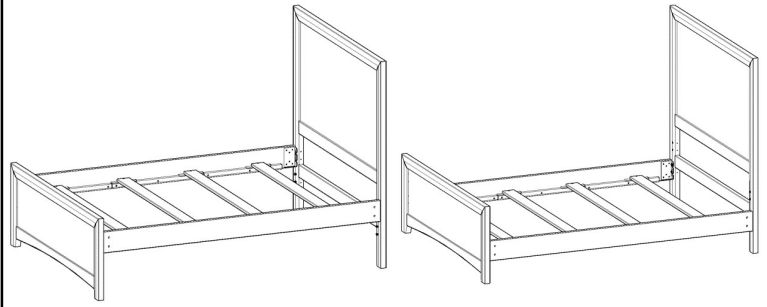
3411326P FULL PANEL BED WHITE		
RTG SKU #	STYLE #	ITEM DESCRIPTION
34913269	3261117	FULL PANEL HEADBOARD
35113264	3261815	FULL FOOTBOARD
35213266	3261771	2 PC SIDE RAILS
38100234	100-646	FULL SLAT PACK (4)
34934011	34G-744	TRUNDLE BED OPTIONAL

**WARNING:**  
THE BED SLATS WILL NOT SUPPORT A MATTRESS ALONE, THIS BED REQUIRES A BOX SPRING OR BUNKIE BOARD. SOLD SEPARATELY

PARTS LIST		QTY	PARTS LIST		QTY	HARDWARE LIST		QTY	TOOLS NEEDED	
1		2 Pcs	3		1 Pc	A		8 Pcs	Phillips screwdriver (not included) 	
Side rails						B		1 Pc		
2		4 Pcs	4		1 Pc					
Full slats			5		1 Pc					
			Trundle bed (Optional)							

# ASSEMBLY INSTRUCTIONS

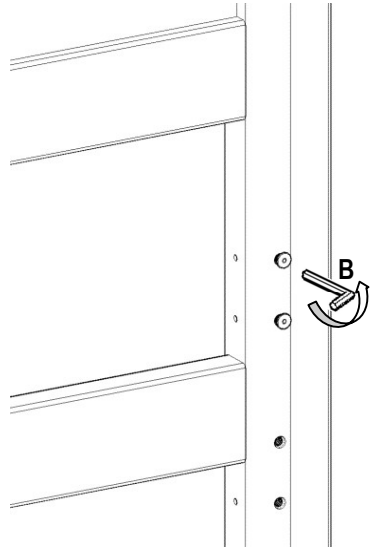
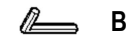
THERE ARE TWO POSSIBLE SETTINGS, HIGH (FACTORY SETTINGS) AND LOW  
 IF YOU PURCHASE A TRUNDLE BED DO HIGH SETTINGS,  
 IF NOT DO LOW SETTINGS.



**HIGH SETTING STEPS 1-5**

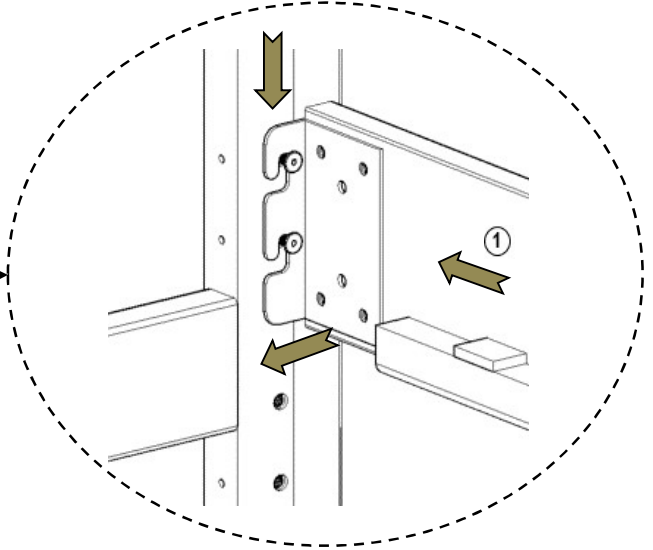
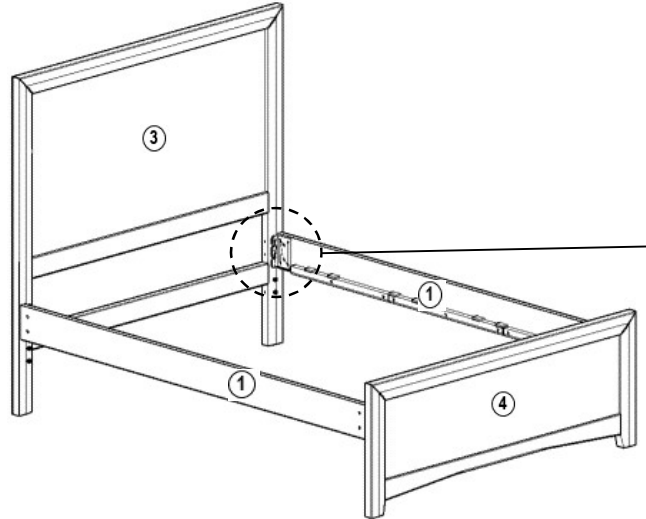
**LOW SETTING STEPS 6-9**

## STEP 1



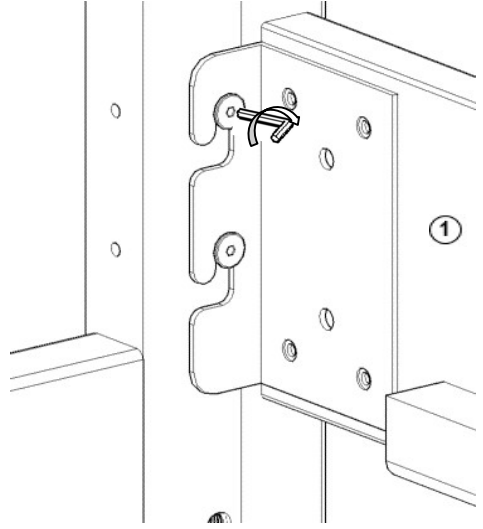
Loosen bolts in headboard & footboard posts (1/4" approx.)  
 Do not remove, BOLTS ARE PRE-ASSEMBLED.

## STEP 2



Assemble side rails

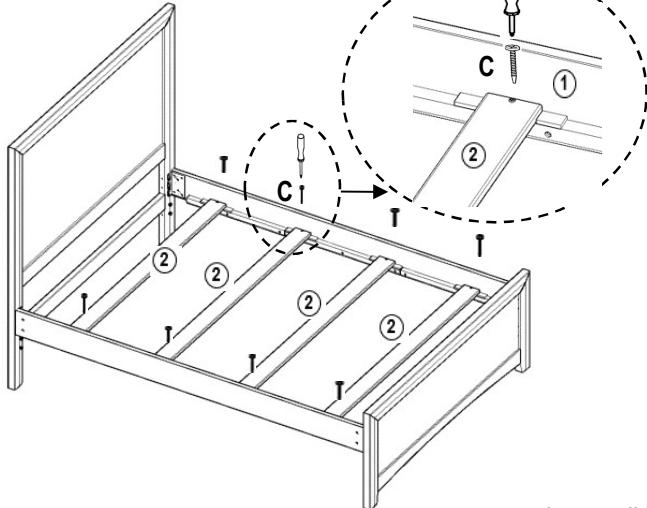
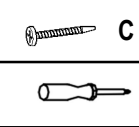
## STEP 3



tighten all bolts

**MAKE SURE ALL BOLTS ARE TIGHTENED COMPLETELY**

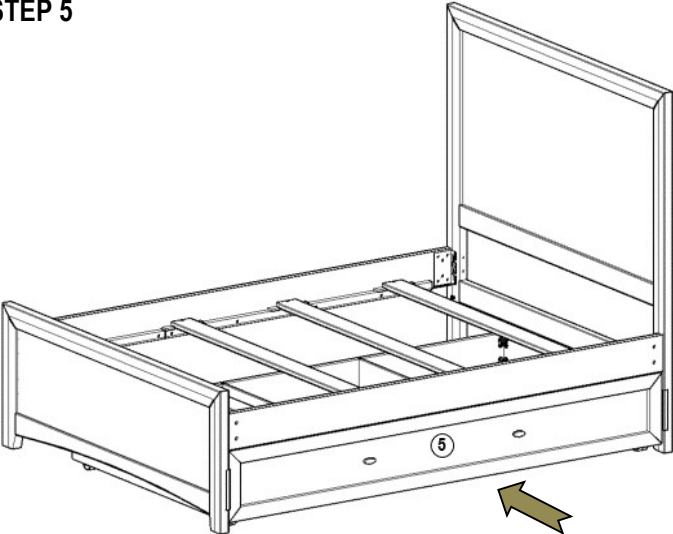
## STEP 4



install slats, one on each space between the small blocks,  
 then fasten with 1 1/4" screws.

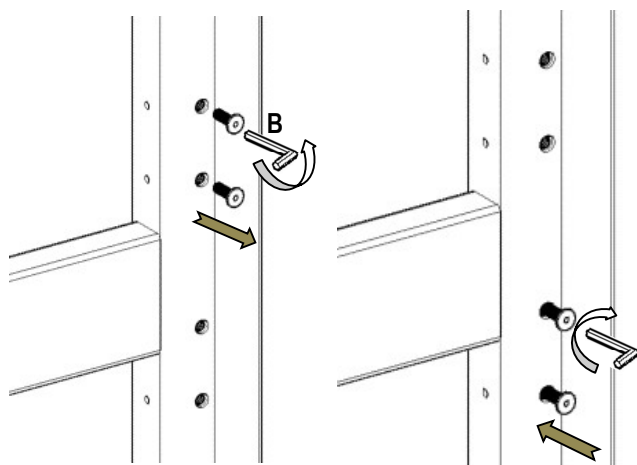
# ASSEMBLY INSTRUCTIONS

**STEP 5**



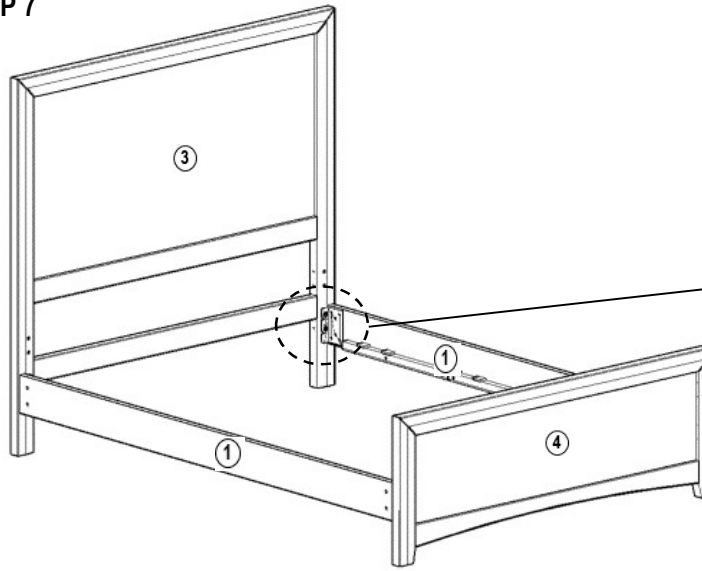
For **optional** Trundle bed follow assembly instructions inside Trundle bed box, then slide under the bed as shown.

**STEP 6**

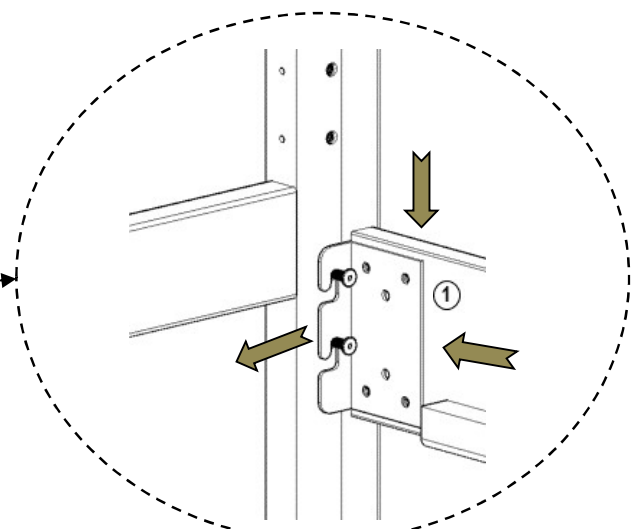


Remove bolts from top setting then install in the lower setting, do not tighten, allow 1/4" space between post and bolt head, repeat for all posts.

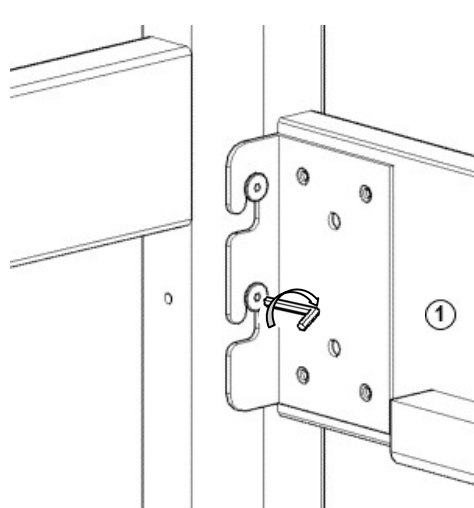
**STEP 7**



Assemble side rails

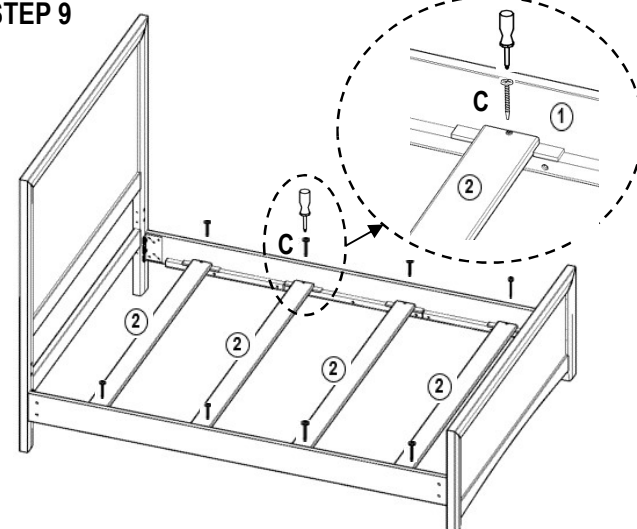


**STEP 8**



tighten all bolts  
**MAKE SURE ALL BOLTS ARE TIGHTENED COMPLETELY**

**STEP 9**



Install slats, one on each space between the small blocks, then fasten with 1 1/4" screws.