





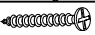
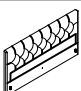

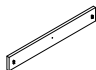

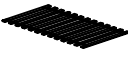



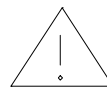
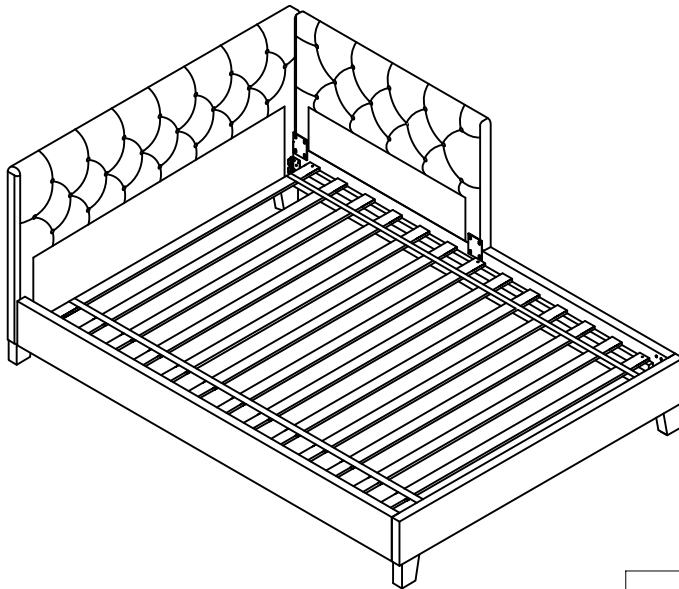


Assembly Instructions

HOUS	C855-25	Bed	SKU#34020608	34120600
HOUS	C856-25	Bed	SKU#34420606	34520608
HOUS	C858-25	Bed	SKU#34820604	34920606
HOUS	C861-25	Bed	SKU#35220603	35320605
HOUS	C855-26	Bed	SKU#34220602	34320604
HOUS	C856-26	Bed	SKU#34620600	34720602
HOUS	C858-26	Bed	SKU#35020609	35120601
HOUS	C861-26	Bed	SKU#35420607	35520609

Step	Code	Hardware	QTY
	a	Allen Key 100*40*5mm 	1Pc
	b	Phillips Screwdriver (Not Provided) 	1Pc
1	c	Bolt 5/16" * 2 - 3 / 8 " 	4Pcs
3	d	Bolt 5/16" * 1-1/4" 	12Pcs
3	e	Iron 90*70*3 	2Pcs
3	f	Iron 118*118*36 	2Pcs
4	g	Screw #8*1" 	6Pcs

Code	Description	Parts	QTY
A	Headboard		1pc
B	Corner Side		1pc
C	Footboard		1pc
D	Bed Rail		2pcs
E	Straight Slats		13pcs
F	Leg		4pcs



WARNING

CHOKING HAZARD—Small Parts
This piece contains small parts, not intended for children under 3 years of age.

Hardware Pack Location(s):

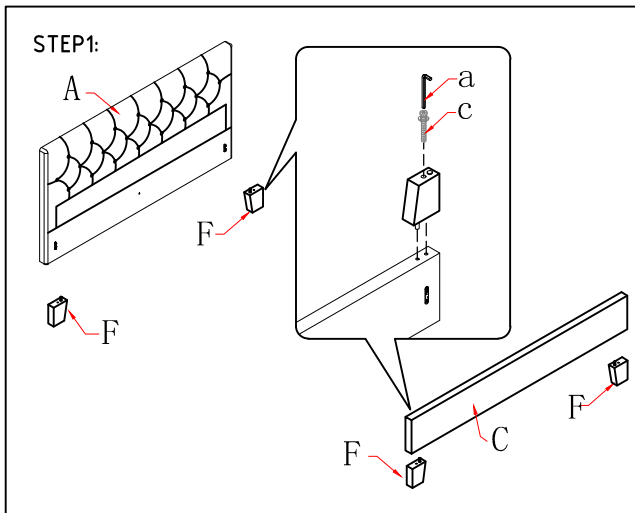
855-25R	3/3 FOOTBOARD & RAILS	SKU#34120600
856-25R	3/3 FOOTBOARD & RAILS	SKU#34520608
858-25R	3/3 FOOTBOARD & RAILS	SKU#34920606
861-25R	3/3 FOOTBOARD & RAILS	SKU#35320605
855-26R	4/6 FOOTBOARD & RAILS	SKU#34320604
856-26R	4/6 FOOTBOARD & RAILS	SKU#34720602
858-26R	4/6 FOOTBOARD & RAILS	SKU#35120601
861-26R	4/6 FOOTBOARD & RAILS	SKU#35520609



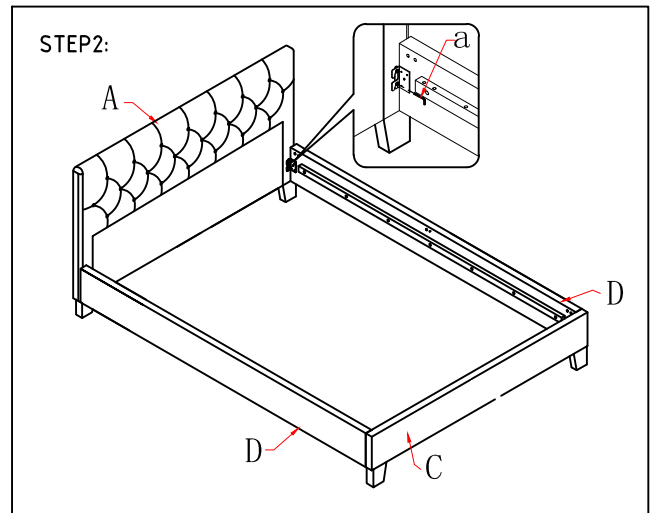
Assembly Instructions

HOUS	C855-25	Bed	SKU#34020608	34120600
HOUS	C856-25	Bed	SKU#34420606	34520608
HOUS	C858-25	Bed	SKU#34820604	34920606
HOUS	C861-25	Bed	SKU#35220603	35320605
HOUS	C855-26	Bed	SKU#34220602	34320604
HOUS	C856-26	Bed	SKU#34620600	34720602
HOUS	C858-26	Bed	SKU#35020609	35120601
HOUS	C861-26	Bed	SKU#35420607	35520609

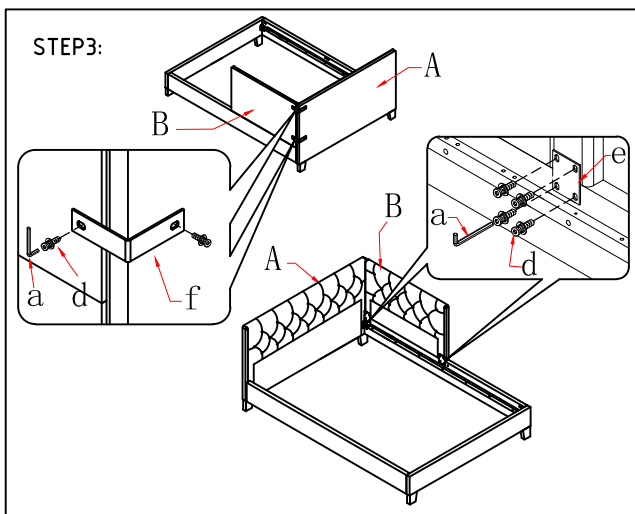
*****Caution:** Please read all instructions carefully before starting the assembly process. These parts are cumbersome and heavy. Therefore, two people are recommended in order to prevent personal injury and insure the parts are not damaged during the assembly.



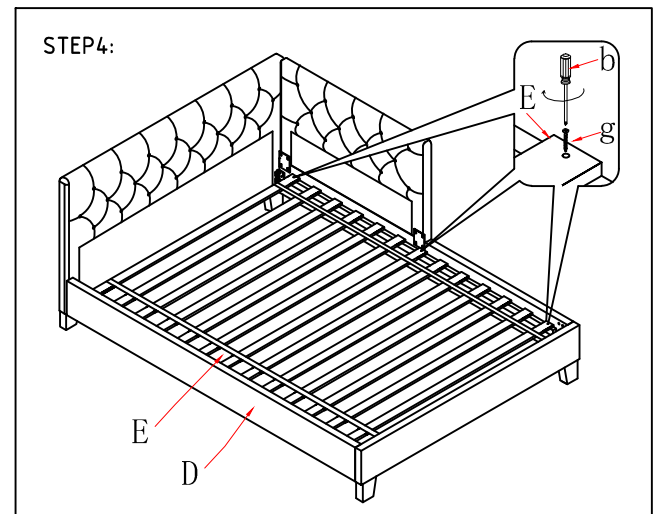
Attach the legs (F) to Headboard (A) and Footboard (C) as shown, tighten use bolt (c) and Allen key (a).



Loosen bolts on Headboard (A) and Footboard (C) with Allen key (a), place Bed Rail (D) into position to connect the Headboard (A) and Footboard (C), then secure and tighten the bolts.



Attach corner side (B) to headboard (A) as shown, tighten use bolt (d), iron (e), iron (f) and allen key (a).



Place straight slat (E) on the support rails which was fixed on the Bed Rail (D), then secure the Straight Slats to the support rail with screw (g) and Screwdriver (b) at the pre-drilled hole as shown.