

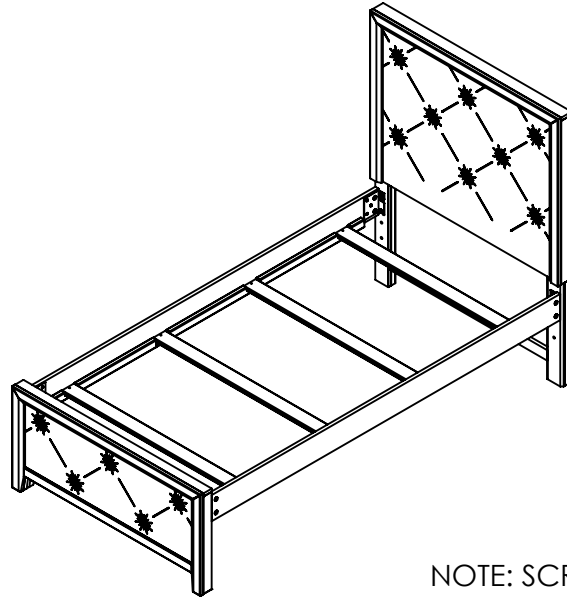
ROOMS TO GO

KIDS

Manufactured for Rooms To Go






FROZEN™

TWIN BED / FULL BED



NOTE: SCREWDRIVER NOT INCLUDED

FROZEN TWIN BED/FROZEN FULL BED			
	RTG SKU#	STYLE#	ITEM DESCRIPTION
A	34621119/34621107	FRO40-210/FRO40-211	TWIN HEADBOARD
B	34821113/34821101	FRO60-210/FRO60-211	FULL HEADBOARD
C	34721111/34721109	FRO41-210/FRO41-211	TWIN FOOTBOARD
D	34921115/34921103	FRO61-210/FRO61-211	FULL FOOTBOARD
E	35021118/35021106	FRO00-210/FRO00-211	TWIN / FULL RAILS

Hardware List			
	ITEM DESCRIPTION	IMAGE	QTY
1	ALLEN KEY		02
2	BOLT 1/4-20X25mm		04
3	CAP NUT		04
4	BOLT 1/4-20X40mm		04
5	#6 x 1 1/2" SCREW		08

DO NOT USE SUBSTITUTE PARTS. PLEASE CONTACT YOUR RETAIL STORE OR WWW.ROOMSTOGO.COM WITH SERVICE OR PARTS REPLACEMENT REQUEST

THIS PRODUCT IS MANUFACTURED BY OAKW FOR ROOMS TO GO | KIDS™

ROOMS TO GO

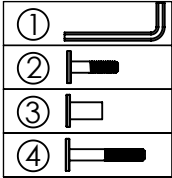
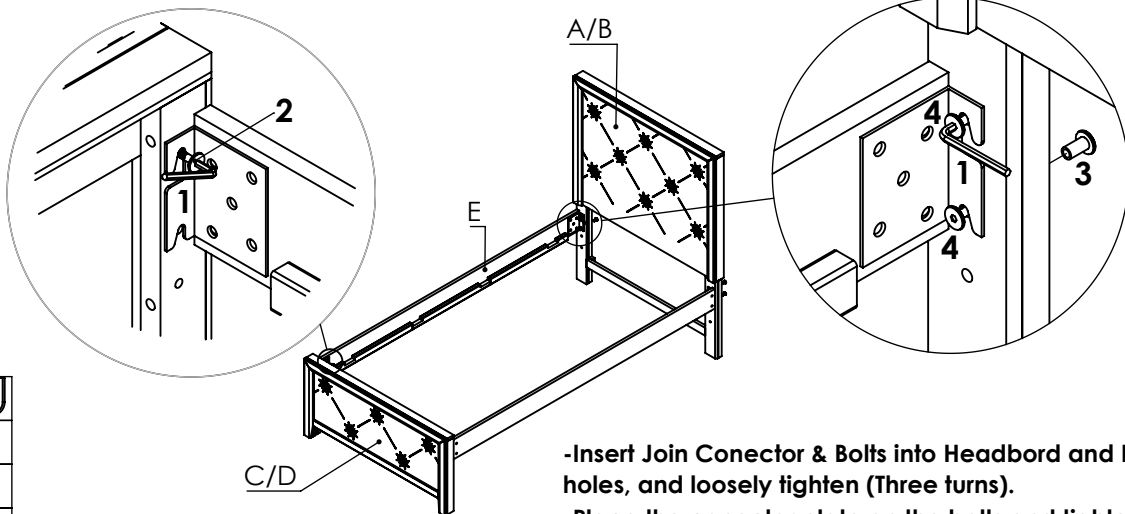
KIDS

Manufactured for Rooms To Go

Thank you for purchasing this quality product. Be sure to check all packing material carefully for small parts which may have come loose inside the carton during shipment. Identify and count all parts and compare with the parts list below. Read all instructions before assembling bed and keep these instructions for future reference.

1

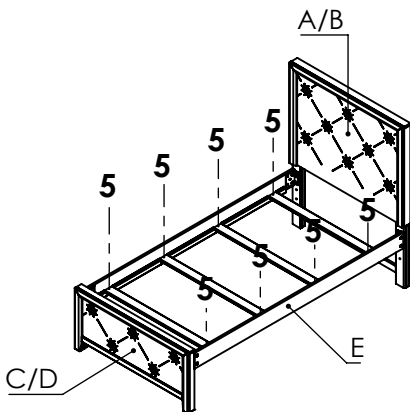
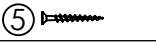
STEP



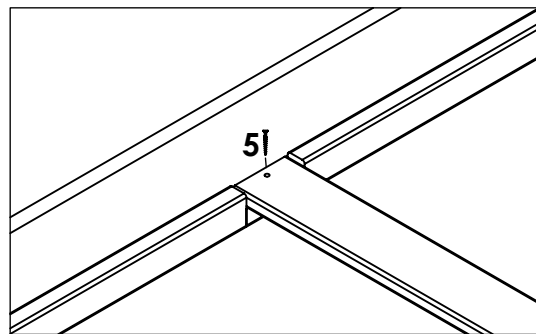
-Insert Join Conector & Bolts into Headbord and Footboard holes, and loosely tighten (Three turns).
-Place the conector plate on the bolts and tighten with the allen key

2

STEP



-Insert the slats in rail's notches and screw it.



PLACE SLATS

SECURE SLATS

THIS PRODUCT IS MANUFACTURED BY OAKW FOR ROOMS TO GO | KIDS™