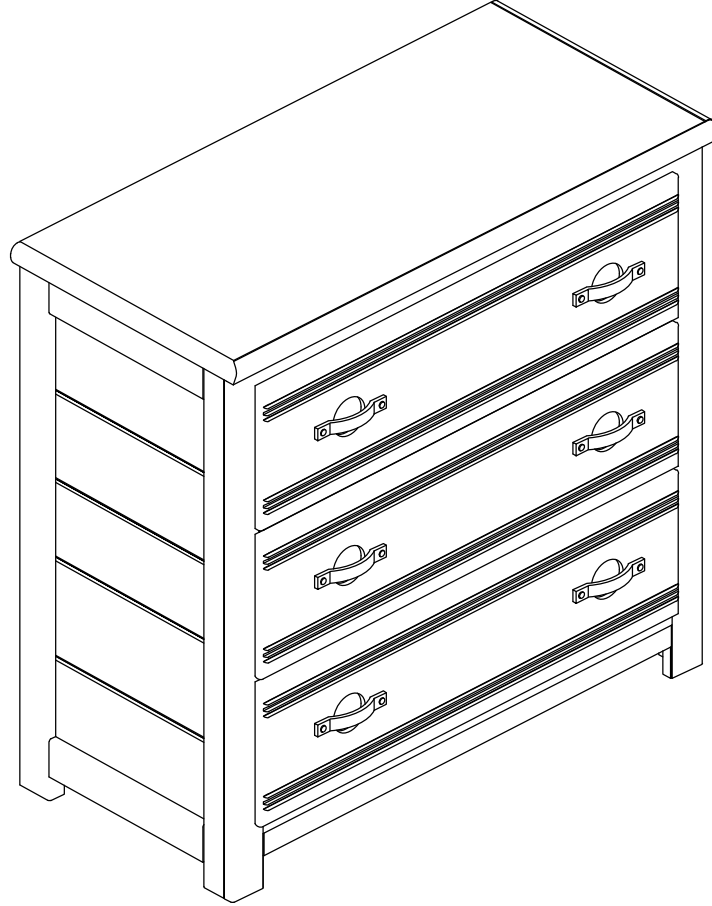


# CREEKSIDE 3.0

## 3 DRAWER DRESSER



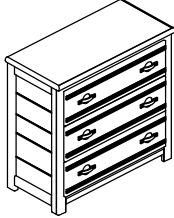
SKU#	STYLE	COLOR	ITEM DESCRIPTION
34132528	325-3DDN	CHESTNUT	3 DRAWER DRESSER
34132530	325-3DDC	CHARCOAL	3 DRAWER DRESSER


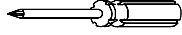
DO NOT USE SUBSTITUTE PARTS. PLEASE CONTACT YOUR RETAIL STORE OR [WWW.ROOMSTOGO.COM](http://WWW.ROOMSTOGO.COM) WITH SERVICE OR PARTS REPLACEMENT REQUEST.

This product is manufactured by (JSFC) for **ROOMS TO GO** | **KIDS**

# CREEKSIDE 3.0

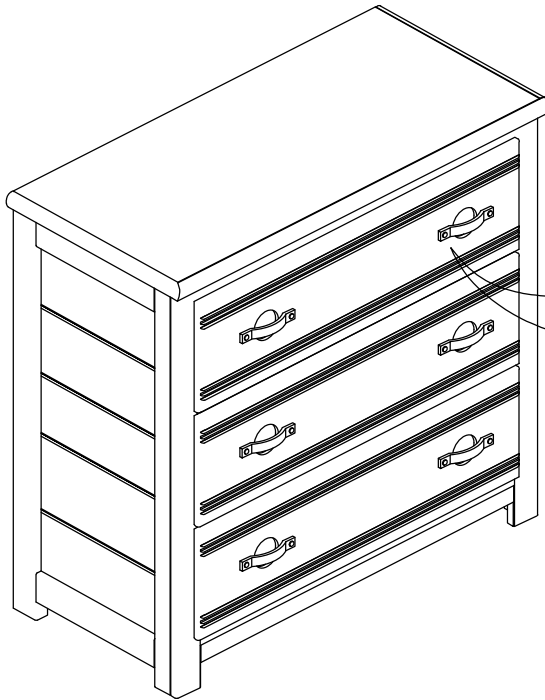
## 3 DRAWER DRESSER

3 DRAWER DRESSER PART LIST			
	ITEM DESCRIPTION	IMAGE	QTY
A	3 DRAWER DRESSER		1 PC

3 DRAWER DRESSER HARDWARE LIST			
	ITEM DESCRIPTION	IMAGE	QTY
1	TIPPING RESTRAINT (CUSTOMER TO ASSEMBLE)		1 SET
2	PHILIPS SCREWDRIVER (NOT PROVIDED)		1 PC

### HARDWARE PACK LOCATION

SKU#	STYLE	COLOR	ITEM DESCRIPTION
34132528	325-3DDN	CHESTNUT	3 DRAWER DRESSER
34132530	325-3DDC	CHARCOAL	3 DRAWER DRESSER



ANTI-TIPPING KIT  
HARDWARE PACK

**NOTE: ANTI-TIPPING KIT HARDWARE PACK  
IS LOCATED IN THE DRAWER**

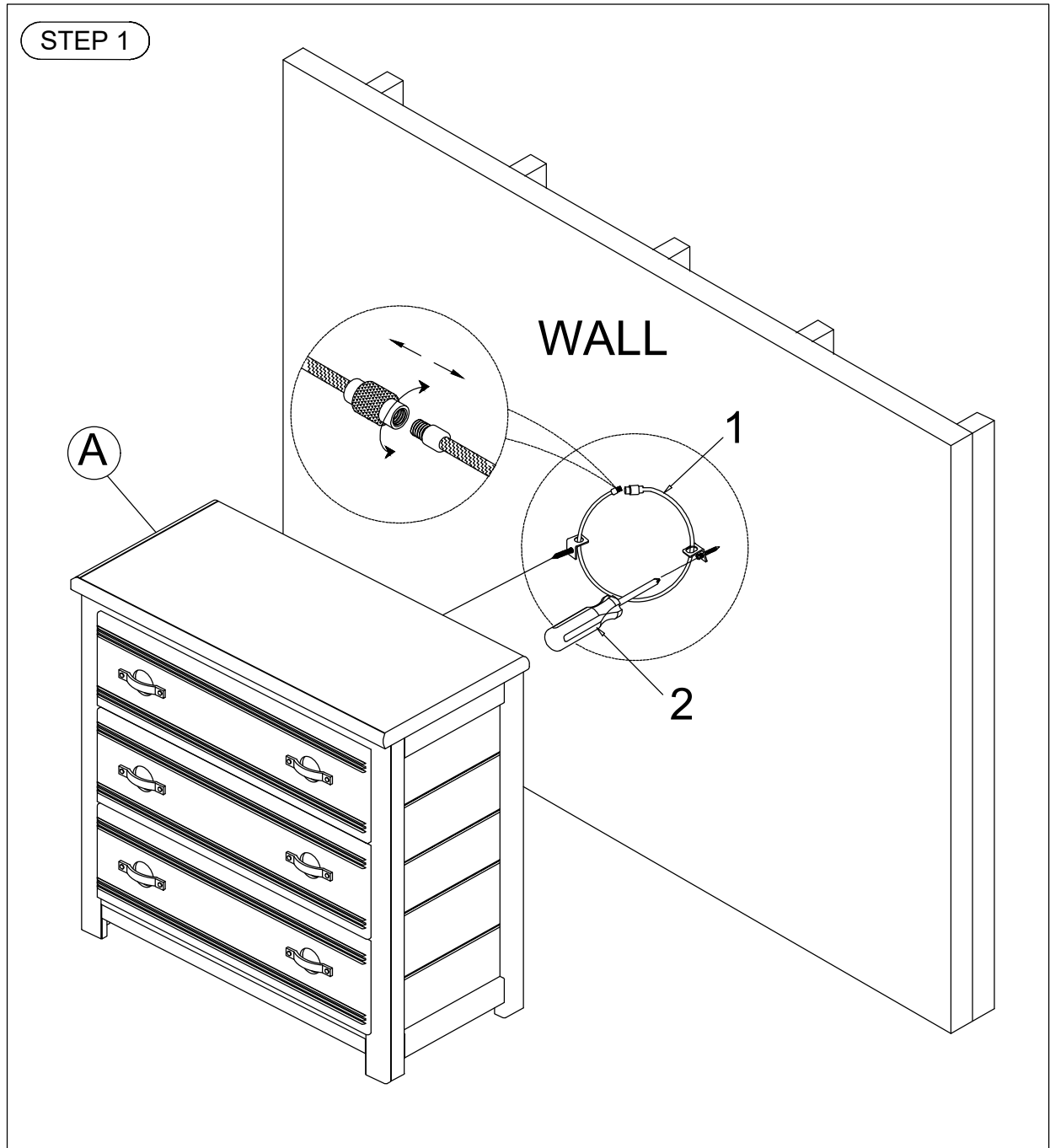
DO NOT USE SUBSTITUTE PARTS. PLEASE CONTACT YOUR RETAIL STORE OR [WWW.ROOMSTOGO.COM](http://WWW.ROOMSTOGO.COM)  
WITH SERVICE OR PARTS REPLACEMENT REQUEST.

This product is manufactured by (JSFC) for **ROOMS TO GO® | KIDS**

Thank you for purchasing this quality product. Be sure to check all packing material carefully for small parts which may have come loose inside the carton during shipment. Identify and count all parts and compare with the parts list below. Read all instructions before assembling bed and keep these instruction for future reference.

## Assembly Instructions:

### STEP 1



Install Tipping Restraint (1) (Customer to Assemble) with a Philips Screwdriver (2)(Not provided) by following the assembly instructions that come in the Tipping Restraint package.

DO NOT USE SUBSTITUTE PARTS. PLEASE CONTACT YOUR RETAIL STORE OR [WWW.ROOMSTOGO.COM](http://WWW.ROOMSTOGO.COM) WITH SERVICE OR PARTS REPLACEMENT REQUEST.

This product is manufactured by (JSFC) for **ROOMS TO GO® | KIDS**