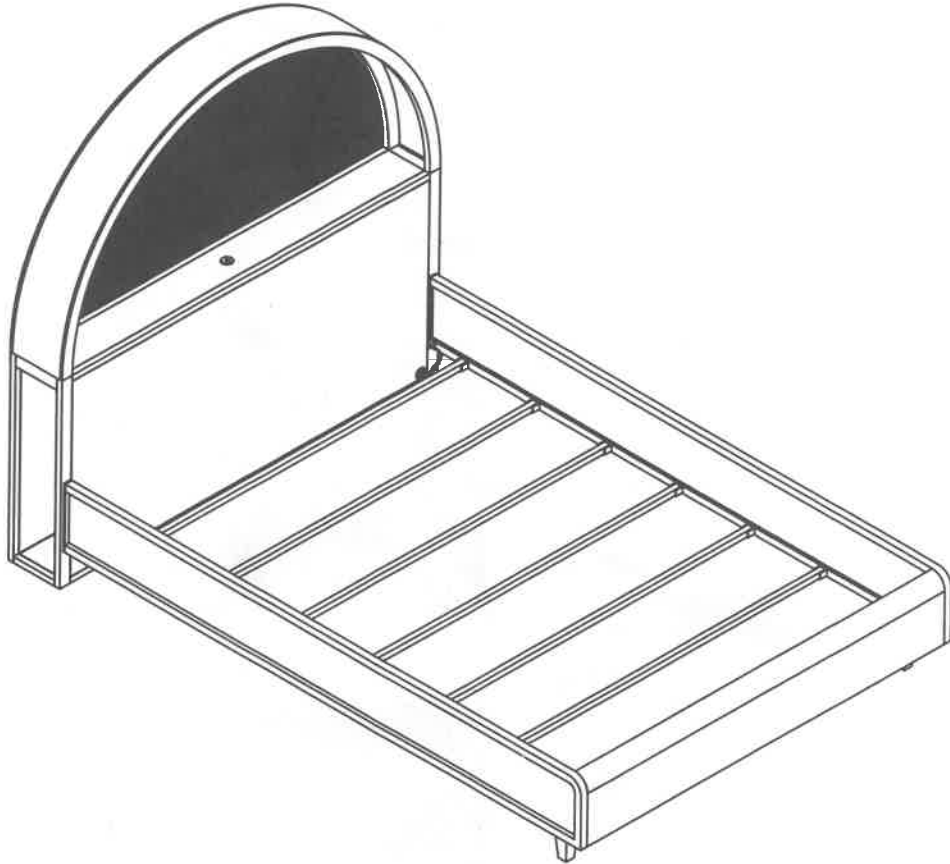





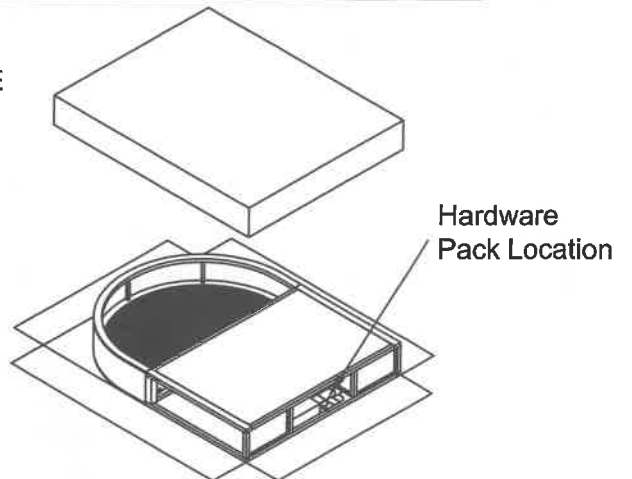
SW FULL BED



Hardware Pack Location:

SKU# 34841622 **STYLE#** 41642-1 **DESCRIPTION** SW FULL BED(HB) **COLOR** CARBONITE




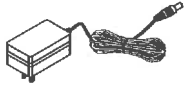






HARDWARE LIST			
NO.	ITEM DESCRIPTION	IMAGE	QTY
A	1/4"x20x1/2"		8PCS
B	1/4"x20x1-3/8"		10PCS
C	4x22x60 mm		1PC



DO NOT USE SUBSTITUTE PARTS. PLEASE CONTACT YOUR RETAIL STORE OR WWW.ROOMSTOGO.COM WITH SERVICE OR PARTS REPLACEMENT REQUEST

This product is manufactured by WRLW for **ROOMS TO GO® | KIDS**

Parts List

3414162P SW FULL BED					
SKU#	STYLE#	PART#	DESCRIPTION	IMAGE	QTY
34841622	41642-1	1	HEADBOARD		1
		2	Nanoleaf LED CONTROL BOX		1
		3	POWER PLUG FOR LED (3500mm)		1
		4	POWER PLUG FOR USB (2000mm)		1
34941624	41642-2	5	FOOTBOARD		1
		6	LEFT SIDE RAIL		1
		7	RIGHT SIDE RAIL		1
		8	SLATS		6
		9	MIDDLE SLATS		1
		10	LEG		2

DO NOT USE SUBSTITUTE PARTS. PLEASE CONTACT YOUR RETAIL STORE OR WWW.ROOMSTOGO.COM WITH SERVICE OR PARTS REPLACEMENT REQUEST

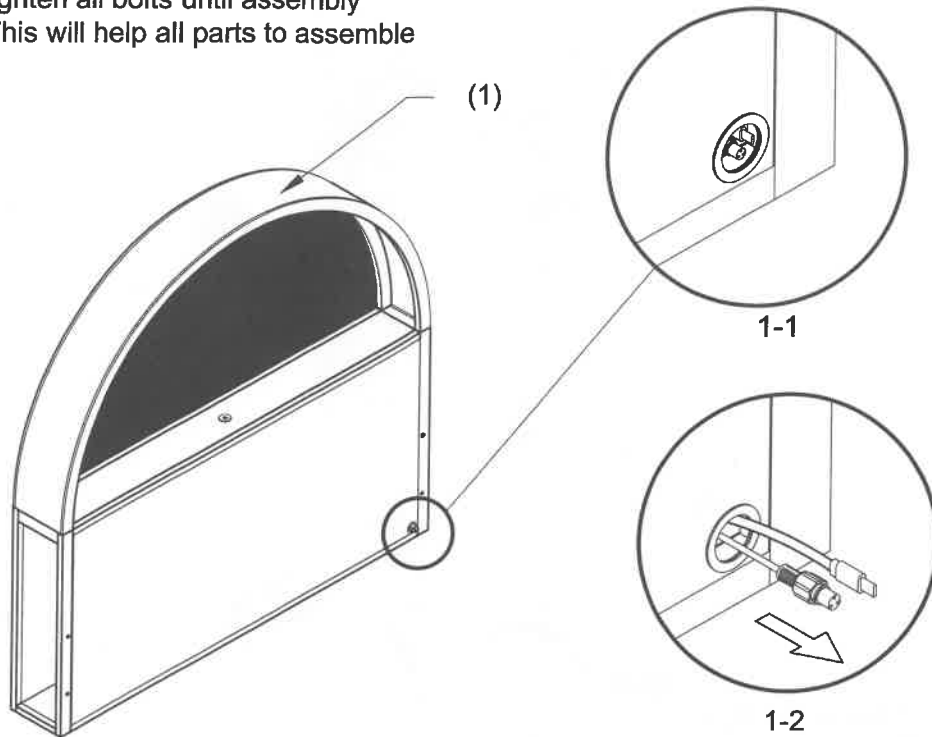
This product is manufactured by WRLW for **ROOMS TO GO®** | **KIDS**

Assembly Instructions:

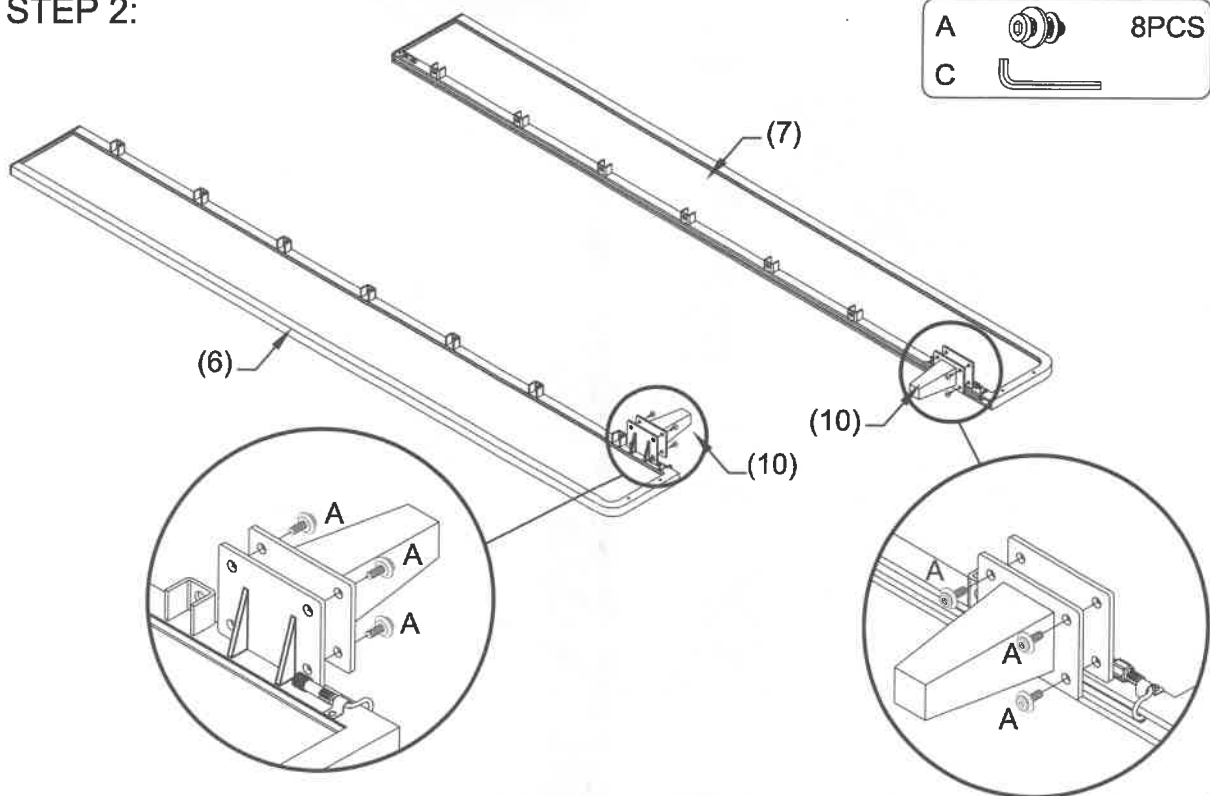
STEP 1:

ASSEMBLY

Do not fully tighten all bolts until assembly is complete. This will help all parts to assemble properly.



STEP 2:

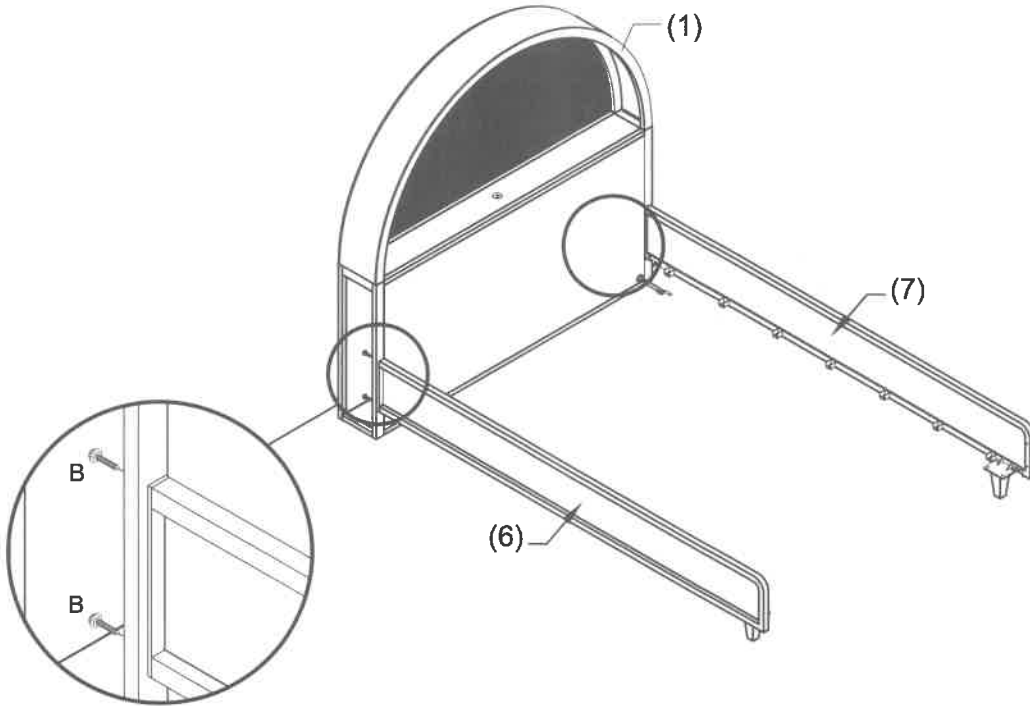
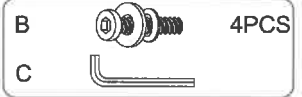


DO NOT USE SUBSTITUTE PARTS. PLEASE CONTACT YOUR RETAIL STORE OR WWW.ROOMSTOGO.COM WITH SERVICE OR PARTS REPLACEMENT REQUEST

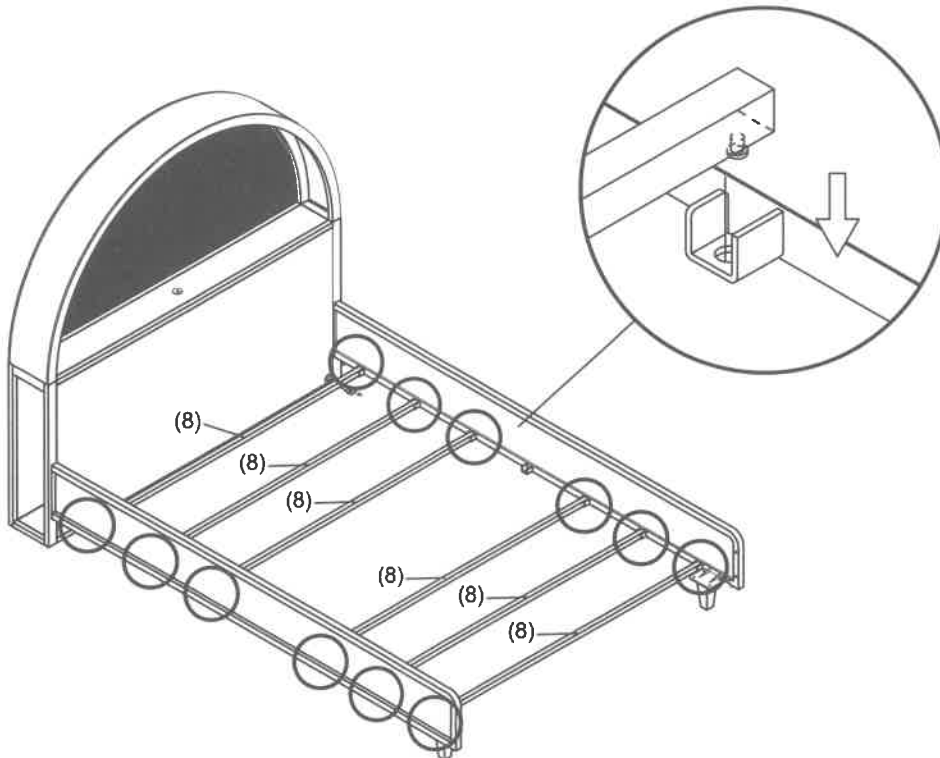
This product is manufactured by WRLW for ROOMS TO GO® | KIDS

Assembly Instructions:

STEP 3:



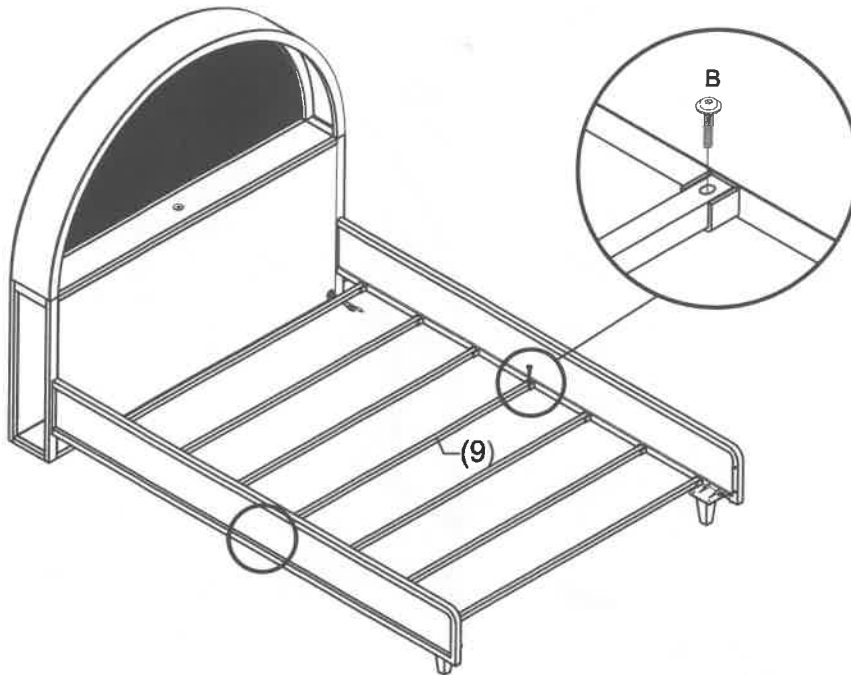
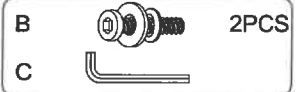
STEP 4:



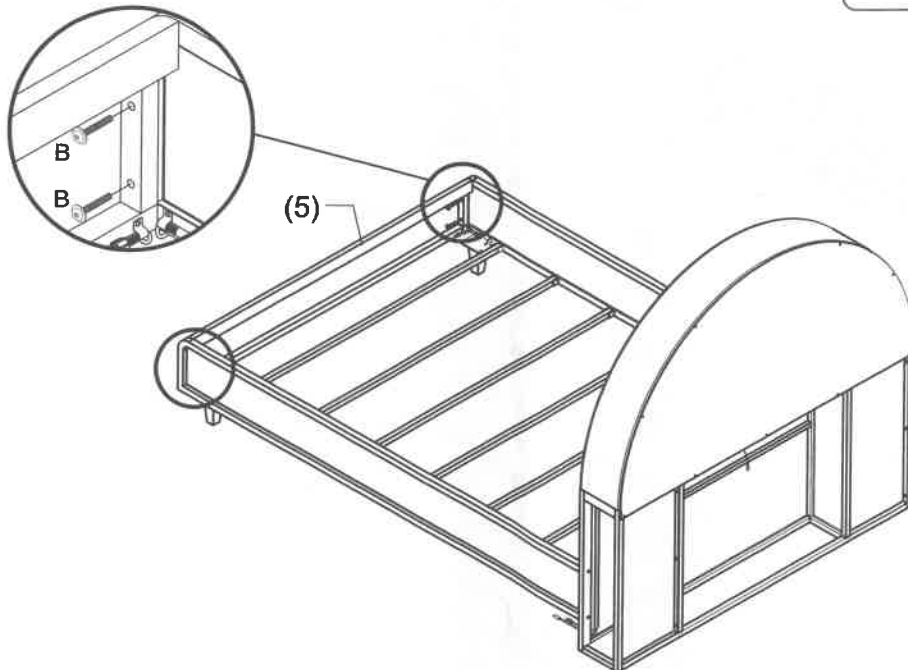
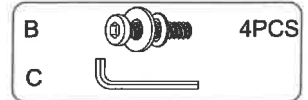
DO NOT USE SUBSTITUTE PARTS. PLEASE CONTACT YOUR RETAIL STORE OR WWW.ROOMSTOGO.COM WITH SERVICE OR PARTS REPLACEMENT REQUEST

Assembly Instructions:

STEP 5:



STEP 6:

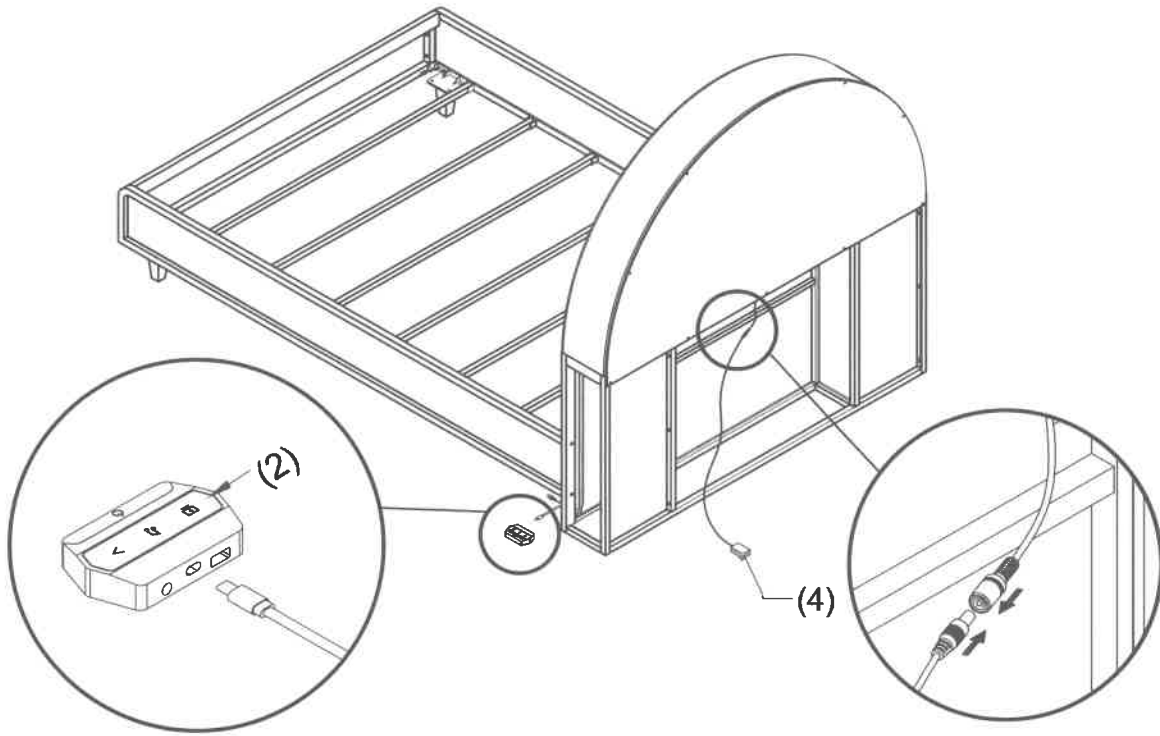


DO NOT USE SUBSTITUTE PARTS. PLEASE CONTACT YOUR RETAIL STORE OR WWW.ROOMSTOGO.COM WITH SERVICE OR PARTS REPLACEMENT REQUEST

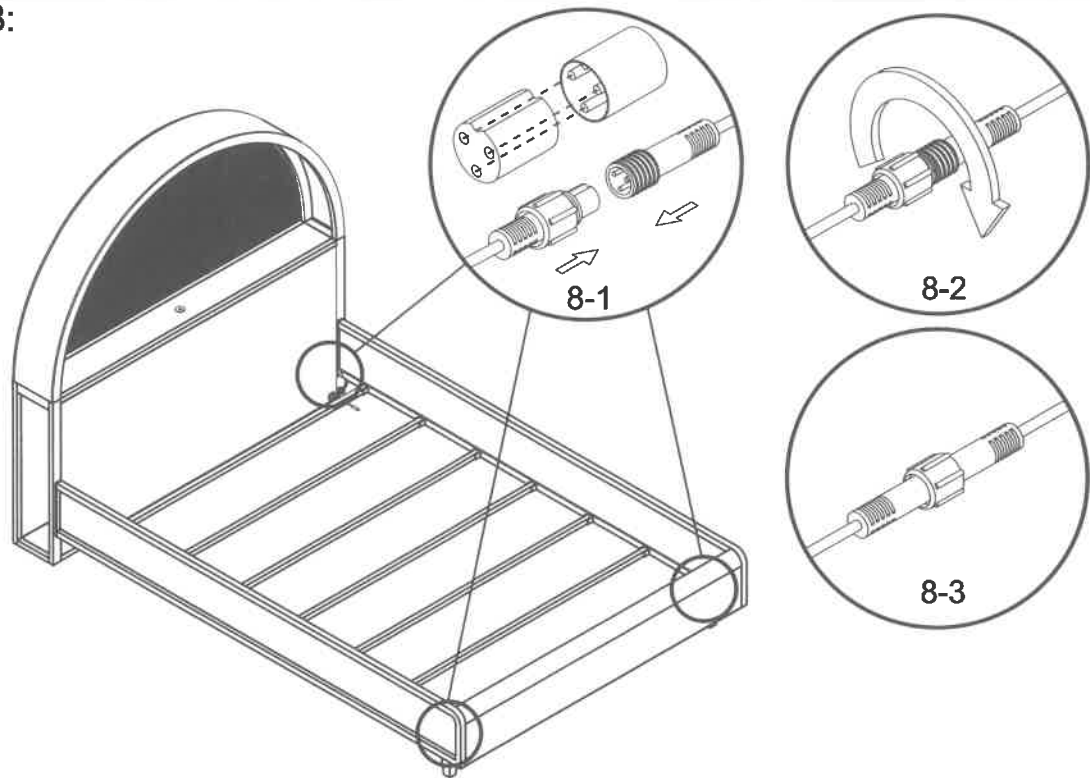
This product is manufactured by WRLW for ROOMS TO GO® | KIDS

Assembly Instructions:

STEP 7:



STEP 8:

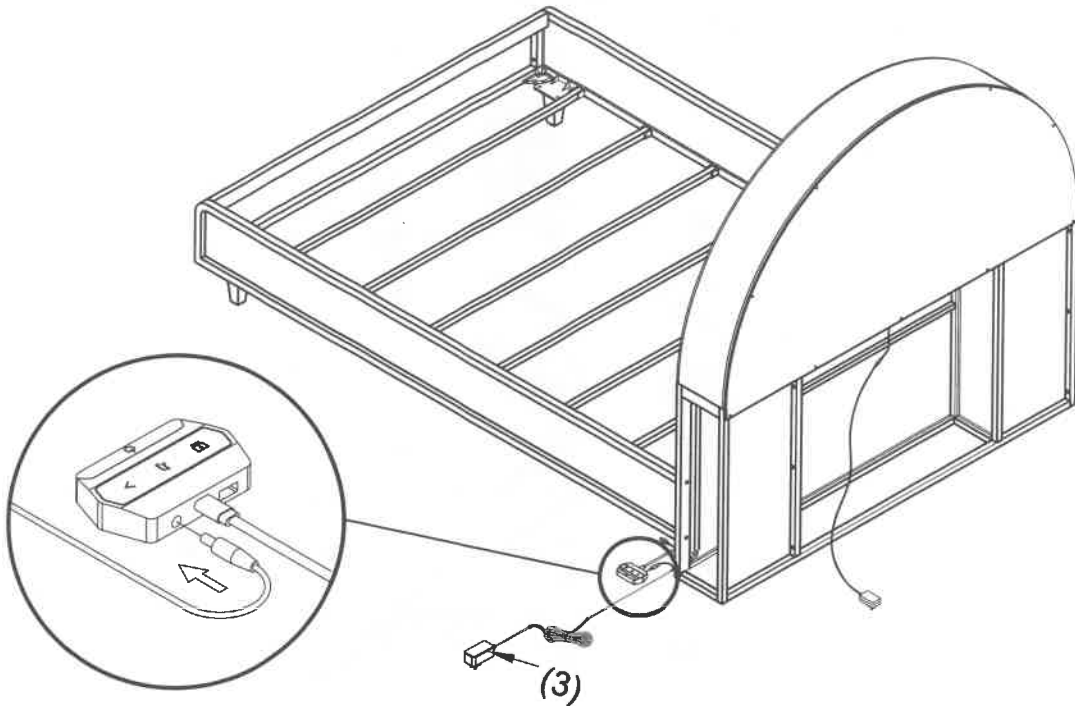


DO NOT USE SUBSTITUTE PARTS. PLEASE CONTACT YOUR RETAIL STORE OR WWW.ROOMSTOGO.COM WITH SERVICE OR PARTS REPLACEMENT REQUEST

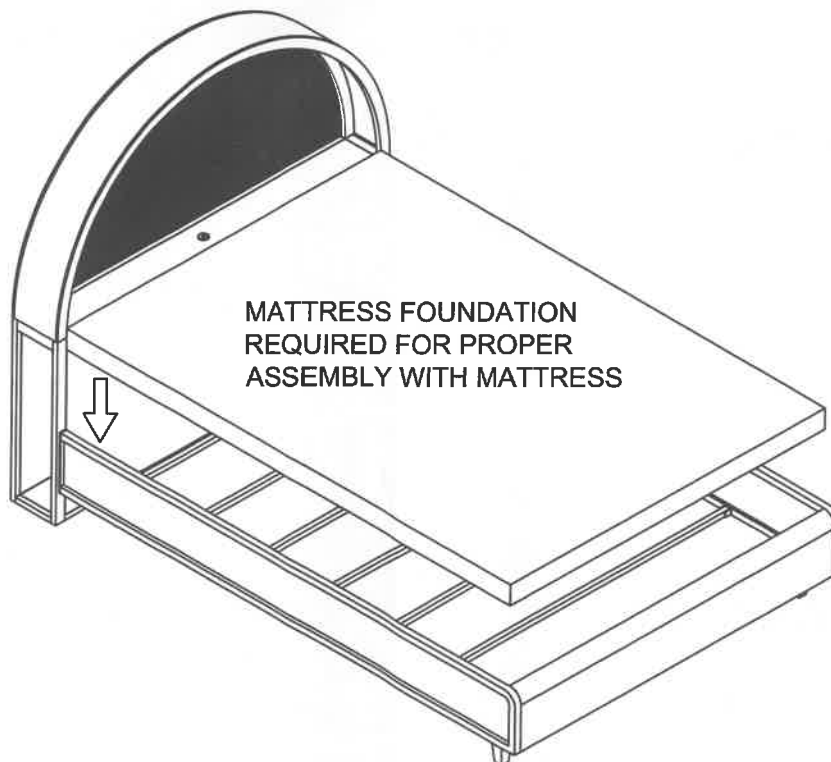
This product is manufactured by WRLW for ROOMS TO GO® | KIDS

Assembly Instructions:

STEP 9:



STEP 10:



DO NOT USE SUBSTITUTE PARTS. PLEASE CONTACT YOUR RETAIL STORE OR WWW.ROOMSTOGO.COM WITH SERVICE OR PARTS REPLACEMENT REQUEST

This product is manufactured by WRLW for ROOMS TO GO® | KIDS

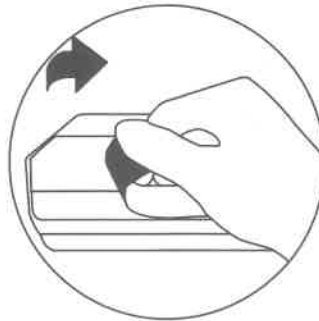
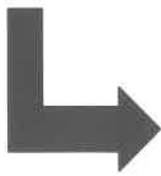
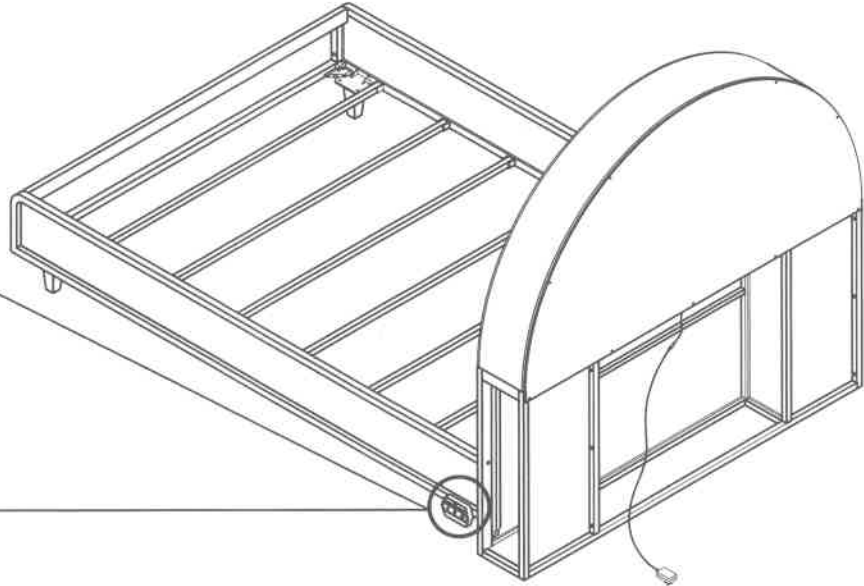
Assembly Instructions:

STEP 11:

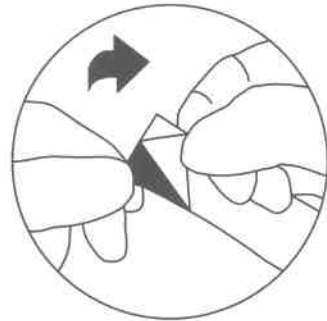
Customer to assemble: place the Nanoleaf LED control box at one of the locations recommended or at your own discretion.



OR



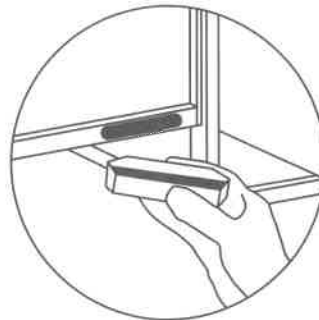
11-1



11-2



11-3



11-4



11-5

DO NOT USE SUBSTITUTE PARTS. PLEASE CONTACT YOUR RETAIL STORE OR WWW.ROOMSTOGO.COM WITH SERVICE OR PARTS REPLACEMENT REQUEST

Warning:

! WARNING
Misuse can result in FIRE or DEATH by ELECTRICAL SHOCK

12VDC/2A
eMoMo Technology Co., Ltd
R241-1202000U

Read all instructions before using this furnishing.
DANGER – To reduce the risk of electric shock:

1. Always unplug this furnishing from the electrical outlet before cleaning or servicing.

WARNING – To reduce the risk of burns, fire, electric shock, or injury to persons:

1. Unplug from outlet before putting on or taking off parts.
2. Never operate this furnishing if it has a damaged electrical cord or plug, if it is not working properly, or if the electrical cord or plug has been damaged or dropped into water. Stop using this furnishing and call a service center for examination and repair.
3. Keep the electrical cord and plug away from heated surfaces and other heat sources.
4. To disconnect, turn all controls to the off position, then remove plug from outlet.
5. When operating, ensure that electrical cord is not under the base, legs, or motion mechanism to avoid damage to electrical cord or plug.
6. Do not strain or stretch electrical cord.
7. Do not use extension cords or power strips.
8. Keep out of reach of children. This is not a toy.
9. Plug directly into a compatible electrical socket.
10. Do not modify the plug or use any adapters.

! WARNING
El mal uso puede provocar INCENDIO o MUERTE por DESCARGA ELÉCTRICA

12VDC/2A
eMoMo Technology Co., Ltd
R241-1202000U

Leer todas las instrucciones antes de usar este mobiliario.
PELIGRO – Para reducir el riesgo de descarga eléctrica:

1. Siempre desenchufe este accesorio de la toma de corriente eléctrica antes de limpiarlo o repararlo.

ADVERTENCIA: para reducir el riesgo de quemaduras, incendios, descargas eléctricas o lesiones a personas:

1. Desenchufe del tomacorriente antes de colocar o quitar partes.
2. Nunca opere este accesorio si tiene un cable o enchufe eléctrico dañado, si no funciona correctamente, o si el cable o el enchufe eléctrico se ha dañado se ha caído al agua. Deje de usar este equipamiento y llame a un centro de servicio para que lo examinen y lo reparen.
3. Mantenga el cable eléctrico y el enchufe lejos de superficies calientes y otras fuentes de calor.
4. Para desconectar, gire todos los controles a la posición de apagado, luego retire el enchufe del tomacorriente.
5. Al operar, asegúrese de que el cable eléctrico no esté debajo de la base, las patas o el mecanismo de movimiento para evitar dañar el cable eléctrico o el enchufe.
6. No fuerce ni estire el cable eléctrico.
7. No utilizar cables de extensión o tomas de corriente.
8. Mantener fuera del alcance de los niños. Esto no es un juguete.
9. Enchúfelo directamente a una toma de corriente compatible.
10. No modifique el enchufe ni utilice adaptadores.

! WARNING
Misuse can result in FIRE or DEATH by ELECTRICAL SHOCK

12VDC/2A
Vere Electronic(Shenzhen) Corporation Limited
VS024-1200200HU

Read all instructions before using this furnishing.
DANGER – To reduce the risk of electric shock:

1. Always unplug this furnishing from the electrical outlet before cleaning or servicing.

WARNING – To reduce the risk of burns, fire, electric shock, or injury to persons:

1. Unplug from outlet before putting on or taking off parts.
2. Never operate this furnishing if it has a damaged electrical cord or plug, if it is not working properly, or if the electrical cord or plug has been damaged or dropped into water. Stop using this furnishing and call a service center for examination and repair.
3. Keep the electrical cord and plug away from heated surfaces and other heat sources.
4. To disconnect, turn all controls to the off position, then remove plug from outlet.
5. When operating, ensure that electrical cord is not under the base, legs, or motion mechanism to avoid damage to electrical cord or plug.
6. Do not strain or stretch electrical cord.
7. Do not use extension cords or power strips.
8. Keep out of reach of children. This is not a toy.
9. Plug directly into a compatible electrical socket.
10. Do not modify the plug or use any adapters.

! WARNING
El mal uso puede provocar INCENDIO o MUERTE por DESCARGA ELÉCTRICA

12VDC/2A
Vere Electronic(Shenzhen) Corporation Limited
VS024-1200200HU

Leer todas las instrucciones antes de usar este mobiliario.
PELIGRO – Para reducir el riesgo de descarga eléctrica:

1. Siempre desenchufe este accesorio de la toma de corriente eléctrica antes de limpiarlo o repararlo.

ADVERTENCIA: para reducir el riesgo de quemaduras, incendios, descargas eléctricas o lesiones a personas:

1. Desenchufe del tomacorriente antes de colocar o quitar partes.
2. Nunca opere este accesorio si tiene un cable o enchufe eléctrico dañado, si no funciona correctamente, o si el cable o el enchufe eléctrico se ha dañado se ha caído al agua. Deje de usar este equipamiento y llame a un centro de servicio para que lo examinen y lo reparen.
3. Mantenga el cable eléctrico y el enchufe lejos de superficies calientes y otras fuentes de calor.
4. Para desconectar, gire todos los controles a la posición de apagado, luego retire el enchufe del tomacorriente.
5. Al operar, asegúrese de que el cable eléctrico no esté debajo de la base, las patas o el mecanismo de movimiento para evitar dañar el cable eléctrico o el enchufe.
6. No fuerce ni estire el cable eléctrico.
7. No utilizar cables de extensión o tomas de corriente.
8. Mantener fuera del alcance de los niños. Esto no es un juguete.
9. Enchúfelo directamente a una toma de corriente compatible.
10. No modifique el enchufe ni utilice adaptadores.

DO NOT USE SUBSTITUTE PARTS. PLEASE CONTACT YOUR RETAIL STORE OR WWW.ROOMSTOGO.COM WITH SERVICE OR PARTS REPLACEMENT REQUEST

This product is manufactured by WRLW for ROOMS TO GO® | KIDS

