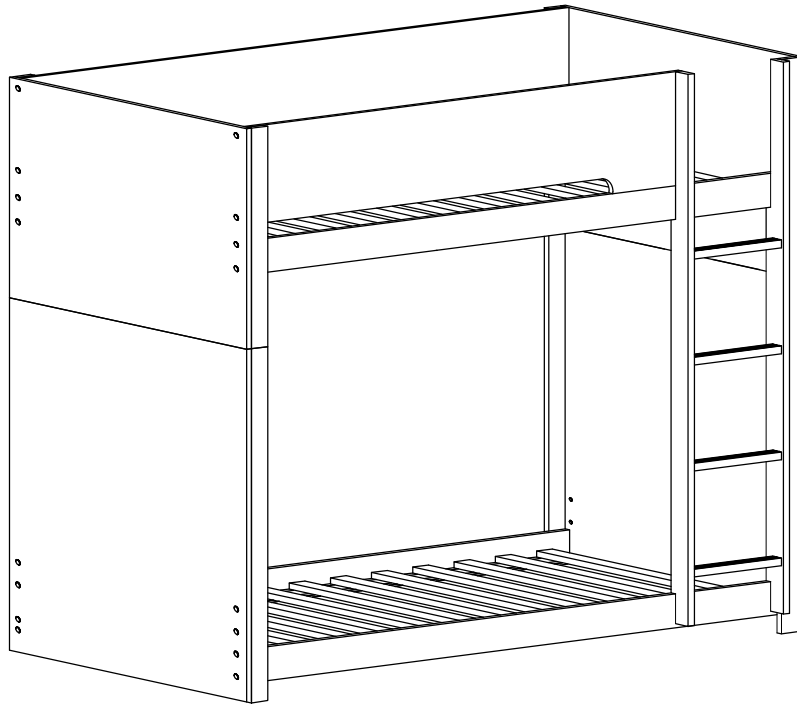
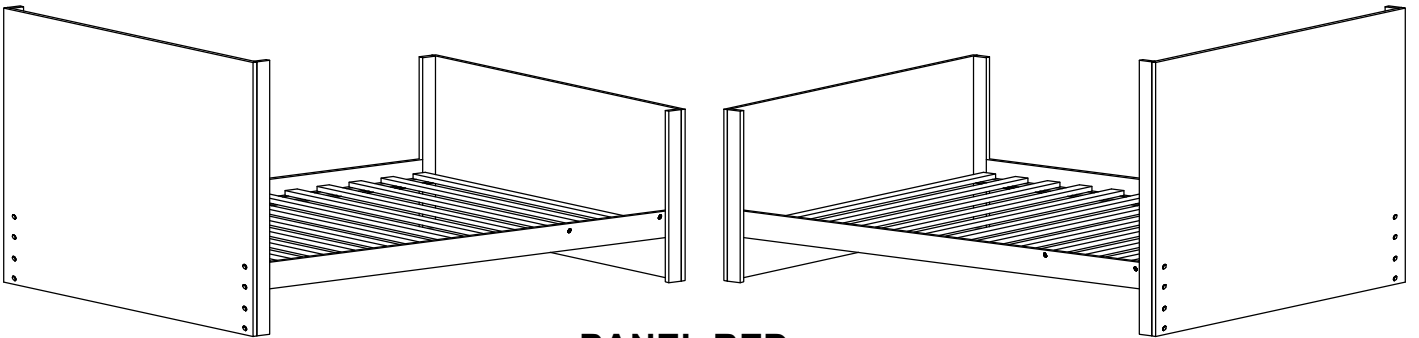


# MIKKA

## TWIN/TWIN - FULL/FULL 3-IN-1 BUNK BED



**BUNK BED**



**PANEL BED**

**Use only correct mattress dimensions and Bunkie board:**

Twin size - 74" - 75" long and 37-1/2" - 38-1/2" wide

Full size - 74" - 75" long and 52-1/2" - 53-1/2" wide

DO NOT USE SUBSTITUTE PARTS. PLEASE CONTACT YOUR RETAIL STORE OR [WWW.ROOMSTOGO.COM](http://WWW.ROOMSTOGO.COM)  
WITH SERVICE OR PARTS REPLACEMENT REQUEST.

This product is manufactured by (GLOB) for **ROOMS TO GO® | KIDS**

# MIKKA

## TWIN/TWIN - FULL/FULL 3-IN-1 BUNK BED

TWIN/TWIN 3-IN-1 BUNK BED PACKAGE: 3405360P - COLOR: WHITE & NATURAL			
SKU #	STYLE	COLOR	ITEM DESCRIPTION
34053607	536-1	WHITE & NATURAL	TWIN UPPER & BOTTOM BED ENDS W/ SLAT ROLL (2SETS)
34153609	536-2	WHITE & NATURAL	LADDER & 6PC RAIL SET

TWIN/TWIN 3-IN-1 BUNK BED PACKAGE: 3405361P - COLOR: BLACK & NATURAL			
SKU #	STYLE	COLOR	ITEM DESCRIPTION
34053619	636-1	BLACK & NATURAL	TWIN UPPER & BOTTOM BED ENDS W/ SLAT ROLL (2SETS)
34153611	636-2	BLACK & NATURAL	LADDER & 6PC RAIL SET

FULL/FULL 3-IN-1 BUNK BED PACKAGE: 3415360P - COLOR: WHITE & NATURAL			
SKU #	STYLE	COLOR	ITEM DESCRIPTION
34253601	536-3	WHITE & NATURAL	FULL UPPER & BOTTOM BED ENDS
34153609	536-2	WHITE & NATURAL	LADDER & 6PC RAIL SET
34353603	536/636-4	NATURAL	FULL-SIZE SLAT ROLL (2SETS)

FULL/FULL 3-IN-1 BUNK BED PACKAGE: 3415361P - COLOR: BLACK & NATURAL			
SKU #	STYLE	COLOR	ITEM DESCRIPTION
34253613	636-3	BLACK & NATURAL	FULL UPPER & BOTTOM BED ENDS
34153611	636-2	BLACK & NATURAL	LADDER & 6PC RAIL SET
34353603	536/636-4	NATURAL	FULL-SIZE SLAT ROLL (2SETS)

## MATTRESS AND BUNKIE BOARD CHART

PACKAGE	COLOR	DESCRIPTION	TOP BED	BOTTOM BED
3405360P	WHITE & NATURAL	TWIN/TWIN 3-IN-1 BUNK BED	TWIN MATTRESS TWIN BUNKIE BOARD RECOMMENDED	TWIN MATTRESS TWIN BUNKIE BOARD RECOMMENDED
3415360P	WHITE & NATURAL	FULL/FULL 3-IN-1 BUNK BED	FULL MATTRESS FULL BUNKIE BOARD RECOMMENDED	FULL MATTRESS FULL BUNKIE BOARD RECOMMENDED
3405361P	BLACK & NATURAL	TWIN/TWIN 3-IN-1 BUNK BED	TWIN MATTRESS TWIN BUNKIE BOARD RECOMMENDED	TWIN MATTRESS TWIN BUNKIE BOARD RECOMMENDED
3415361P	BLACK & NATURAL	FULL/FULL 3-IN-1 BUNK BED	FULL MATTRESS FULL BUNKIE BOARD RECOMMENDED	FULL MATTRESS FULL BUNKIE BOARD RECOMMENDED

### Use only correct mattress dimensions and Bunkie board:

Twin size mattress - 74" - 75" long and 37-1/2" - 38-1/2" wide

Twin size Bunkie board - 74" long and 37-1/2" - 38-1/2" wide

Full size mattress - 74" - 75" long and 52-1/2" - 53-1/2" wide

Full size Bunkie board - 74" long and 52-1/2" - 53-1/2" wide

DO NOT USE SUBSTITUTE PARTS. PLEASE CONTACT YOUR RETAIL STORE OR [WWW.ROOMSTOGO.COM](http://WWW.ROOMSTOGO.COM) WITH SERVICE OR PARTS REPLACEMENT REQUEST.

This product is manufactured by (GLOB) for **ROOMS TO GO** | **KIDS**



## WARNING DANGER:

Failure to follow these warnings and assembly instructions could result in serious injury or death. To help prevent serious or fatal injuries from entrapment or falls:

- Read all instructions before assembling bunk bed and keep these instructions for future reference.
- Before each usage or assembly, inspect bunk bed for damaged hardware, loose joints, missing parts, or sharp edges. DO NOT use bunk bed if any parts are missing or broken.
- DO NOT use substitute parts. Contact your local Rooms To Go or visit [www.ROOMSTOGO.com](http://www.ROOMSTOGO.com) for replacement parts and instructional literature if needed.
- Follow the information on the warnings appearing on the upper bunk end structure and on the carton. DO NOT REMOVE WARNING LABEL FROM BED.
- Always use the recommended size mattresses or mattress supports, or both, to help prevent the likelihood of entrapment or falls.
- Ensure thickness of mattress and foundation combined does not exceed 7 inches and mattress surface is at least 5 inches (127mm) below upper edge of guardrails for the upper bunk.
- Do not allow children under 6 years of age to use the upper bunk.
- Periodically check and ensure that the guardrail, ladder, and other components are in their proper position, free from damage, and that all connectors are tight.
- Do not allow horseplay on or under the bed and prohibit jumping on the bed.
- Limit top bunk use to one person.
- Always use the ladder for entering and leaving the upper bunk.
- Use of a night light may provide added safety precaution for a child using the upper bunk.
- Always use guardrails on both long sides of the upper bunk. If the bunk bed will be placed next to the wall, the guardrail that runs the full length of the bed should be placed against the wall to prevent entrapment between the bed and wall.
- The use of water or sleep flotation mattresses is prohibited.
- This bunk bed meets or exceeds the requirements of ASTM F1427-21e1



## STRANGULATION HAZARD:

Never attach or hang items to any part of the bunk bed that are not designed for use with the bed; for example, but not limited to, hooks, belts and jump ropes.

## PRE - ASSEMBLY

### Warning:

The bed slats included with this bed will support a mattress alone, this bed does not require Bunkie boards (sold separately) but they are recommended.

Read all the instructions, identify all components, choose your configuration, and be sure you have all parts prior to assembly. Two people are needed to assemble.

### Tools Needed

Phillips heads screwdriver (not included)  
4mm allen wrench (included)

### MAKE SURE ALL BOLTS ARE TIGHTENED COMPLETELY

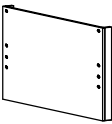
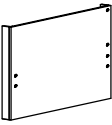
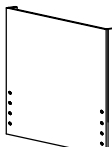
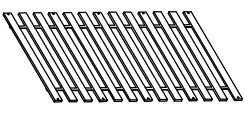
### CARE INSTRUCTIONS:

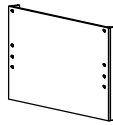
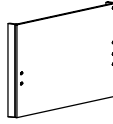
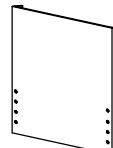
Dust with a clean, soft cloth. Avoid the use of all abrasive cleaners.

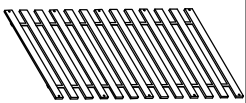
DO NOT USE SUBSTITUTE PARTS. PLEASE CONTACT YOUR RETAIL STORE OR [WWW.ROOMSTOGO.COM](http://WWW.ROOMSTOGO.COM) WITH SERVICE OR PARTS REPLACEMENT REQUEST.

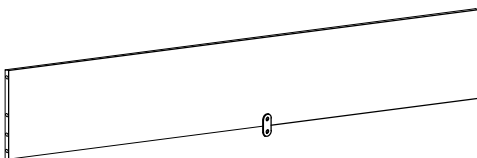
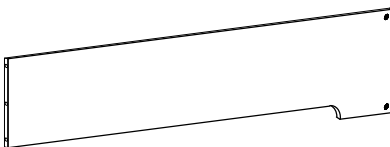
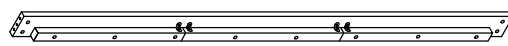

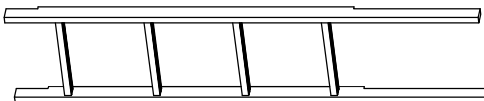
This product is manufactured by (GLOB) for **ROOMS TO GO** | **KIDS**

# PART LIST

TWIN UPPER & BOTTOM BED ENDS & SLAT ROLL (2SETS) PART LIST			
NO.	DESCRIPTION	IMAGE	QTY
A	Twin Upper Bed End (Left)		1 PC
B	Twin Upper Bed End (Right)		1 PC
C	Twin Bottom Bed End		2 PCS
D	Twin Slat roll		2 SETS

FULL UPPER & BOTTOM BED ENDS PART LIST			
NO.	DESCRIPTION	IMAGE	QTY
A	Full Upper Bed End (Left)		1 PC
B	Full Upper Bed End (Right)		1 PC
C	Full Bottom Bed End		2 PCS

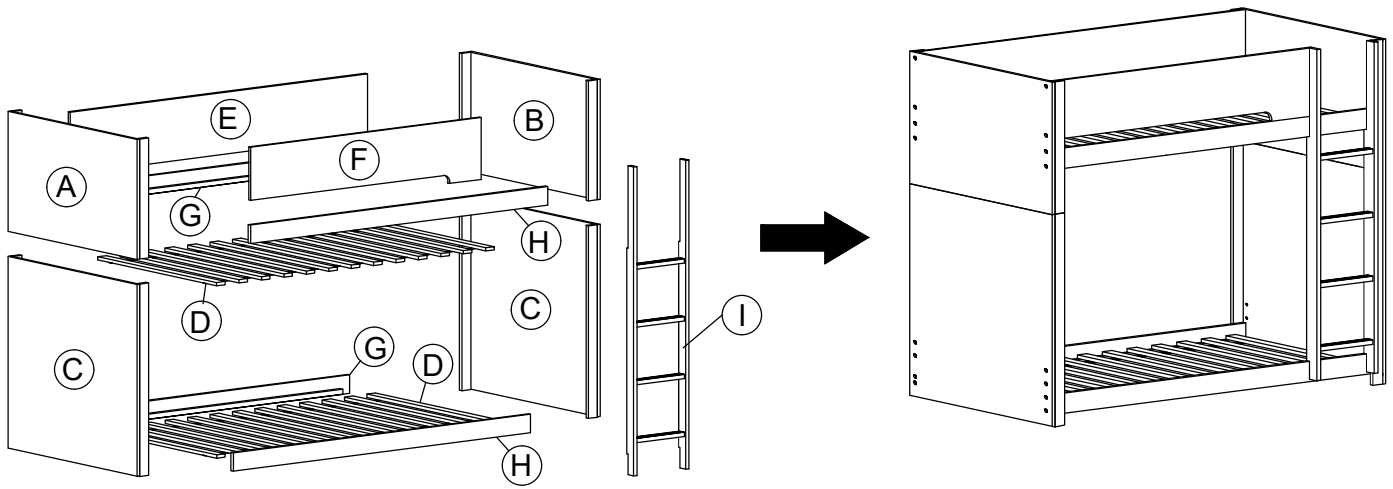
FULL SIZE SLAT ROLL(2SETS) PART LIST			
NO.	DESCRIPTION	IMAGE	QTY
D	Full Slat roll		2 SETS

LADDER & 6PCS RAIL SET PART LIST			
NO.	DESCRIPTION	IMAGE	QTY
E	Long Guard rail		1 PC
F	Short Guard rail		1 PC
G	Back Side rail		2 PCS
H	Front Side rail		2 PCS
I	LADDER		1 PC

DO NOT USE SUBSTITUTE PARTS. PLEASE CONTACT YOUR RETAIL STORE OR [WWW.ROOMSTOGO.COM](http://WWW.ROOMSTOGO.COM) WITH SERVICE OR PARTS REPLACEMENT REQUEST.

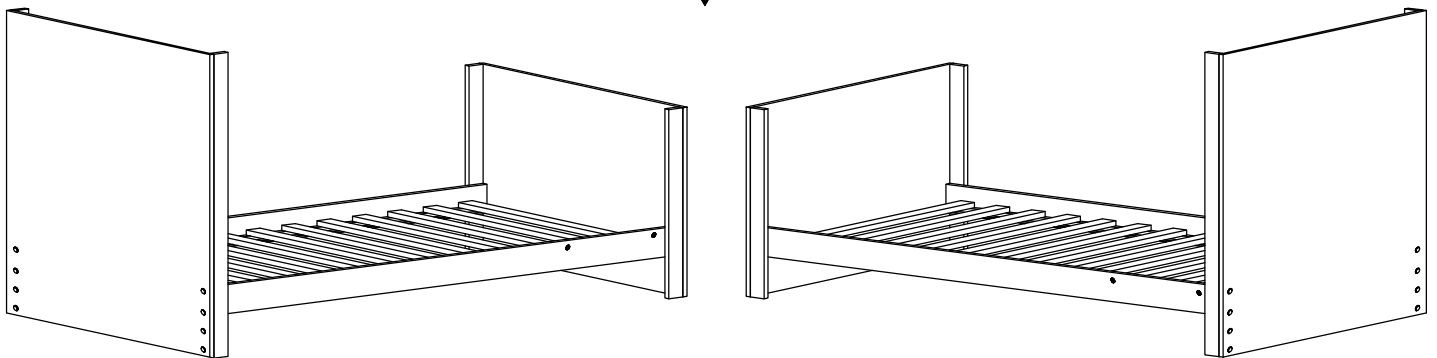
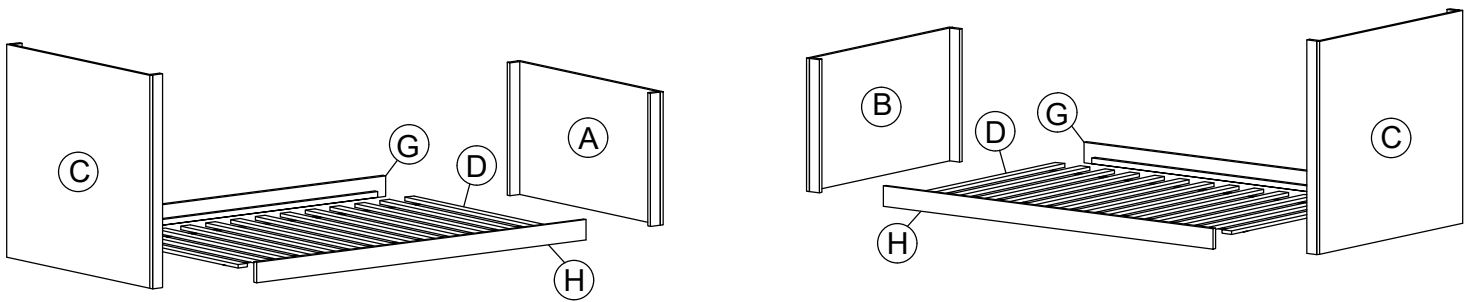
This product is manufactured by (GLOB) for **ROOMS TO GO® | KIDS**

## PART LIST



## BUNK BED

Please reference Page 8~10 for assembly steps



## PANEL BED (2 sets)

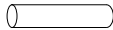


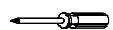
Please reference Page 11 for assembly steps

DO NOT USE SUBSTITUTE PARTS. PLEASE CONTACT YOUR RETAIL STORE OR [WWW.ROOMSTOGO.COM](http://WWW.ROOMSTOGO.COM) WITH SERVICE OR PARTS REPLACEMENT REQUEST.

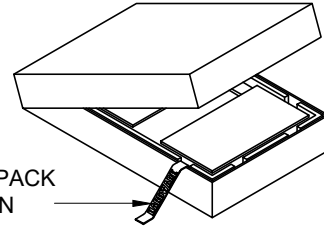
This product is manufactured by (GLOB) for **ROOMS TO GO® | KIDS**






# HARDWARE LIST & HARDWARE LOCATION

## FOR TWIN/TWIN 3-IN-1 BUNK BED

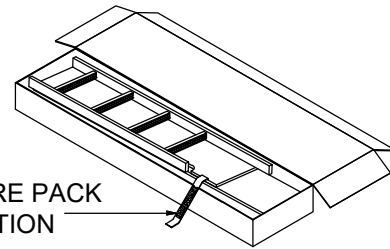
TWIN UPPER & BOTTOM BED ENDS & SLAT ROLL (2SETS) HARDWARE LIST			
	ITEM DESCRIPTION	IMAGE	QTY
5	METAL PIN		4 PCS
6	SCREW M4 x 1 3/16"		20 PCS
3	WOOD DOWEL		2 PCS
7	PHILIPS SCREWDRIVER (NOT PROVIDED)		1 PC

SKU #	STYLE	COLOR	ITEM DESCRIPTION
34053607	536-1	WHITE & NATURAL	TWIN UPPER & BOTTOM BED ENDS & SLAT ROLL (2SETS)
34053619	636-1	BLACK & NATURAL	



LADDER & 6PC RAIL SET HARDWARE LIST			
	ITEM DESCRIPTION	IMAGE	QTY
1	ALLEN KEY 4mm		1 PC
2	ALLEN BOLT 1/4" x 20 x 1 3/8"		29 PCS
3	WOOD DOWEL		11 PCS
4	SCREW M3 x 19/32"		1 PC
7	PHILIPS SCREWDRIVER (NOT PROVIDED)		1 PC

SKU #	STYLE	COLOR	ITEM DESCRIPTION
34153609	536-2	WHITE & NATURAL	LADDER & 6PC RAIL SET
34153611	636-2	BLACK & NATURAL	

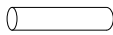
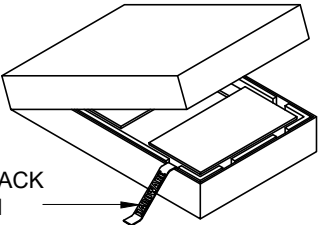



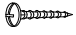
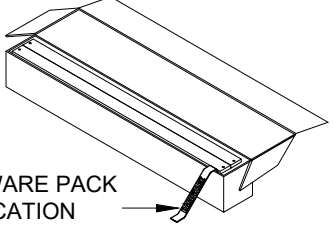
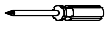
DO NOT USE SUBSTITUTE PARTS. PLEASE CONTACT YOUR RETAIL STORE OR [WWW.ROOMSTOGO.COM](http://WWW.ROOMSTOGO.COM) WITH SERVICE OR PARTS REPLACEMENT REQUEST.


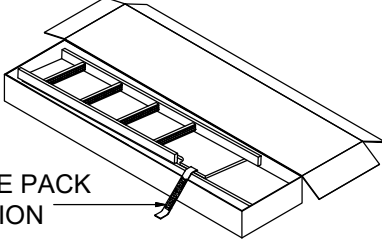



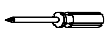
This product is manufactured by (GLOB) for **ROOMS TO GO** | **KIDS**

# HARDWARE LIST & HARDWARE LOCATION

## FOR FULL/FULL 3-IN-1 BUNK BED

FULL UPPER & BOTTOM BED ENDS HARDWARE LIST				SKU #	STYLE	COLOR	ITEM DESCRIPTION
	<b>ITEM DESCRIPTION</b>	<b>IMAGE</b>	<b>QTY</b>	34253601	536-3	WHITE & NATURAL	FULL UPPER &
				34253613	636-3	BLACK & NATURAL	BOTTOM BED END
5	METAL PIN		4 PCS	 <p>HARDWARE PACK LOCATION</p>			
3	WOOD DOWEL		2 PCS				

FULL SIZE SLAT ROLL (2SETS) HARDWARE LIST				SKU #	STYLE	COLOR	ITEM DESCRIPTION
	<b>ITEM DESCRIPTION</b>	<b>IMAGE</b>	<b>QTY</b>	34353603	536/636-4	NATURAL	FULL SIZE SLAT ROLL (2SETS)
6	SCREW M4 x 1 3/16"		20 PCS	 <p>HARDWARE PACK LOCATION</p>			
7	PHILIPS SCREWDRIVER (NOT PROVIDED)		1 PC				

LADDER & 6PC RAIL SET HARDWARE LIST				SKU #	STYLE	COLOR	ITEM DESCRIPTION
	<b>ITEM DESCRIPTION</b>	<b>IMAGE</b>	<b>QTY</b>	34153609	536-2	WHITE & NATURAL	LADDER &
				34153611	636-2	BLACK & NATURAL	6PC RAIL SET
1	ALLEN KEY 4mm		1 PC	 <p>HARDWARE PACK LOCATION</p>			
2	ALLEN BOLT 1/4" x 20 x 1 3/8"		29 PCS				
3	WOOD DOWEL		11 PCS				
4	SCREW M3 x 19/32"		1 PC				
7	PHILIPS SCREWDRIVER (NOT PROVIDED)		1 PC				

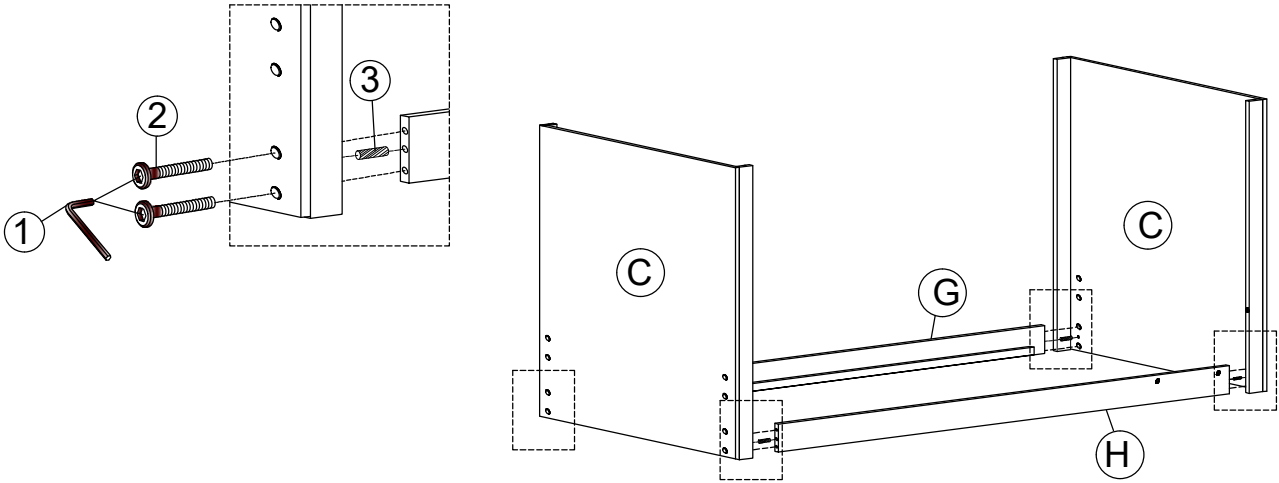
DO NOT USE SUBSTITUTE PARTS. PLEASE CONTACT YOUR RETAIL STORE OR [WWW.ROOMSTOGO.COM](http://WWW.ROOMSTOGO.COM) WITH SERVICE OR PARTS REPLACEMENT REQUEST.

This product is manufactured by (GLOB) for **ROOMS TO GO** | **KIDS**

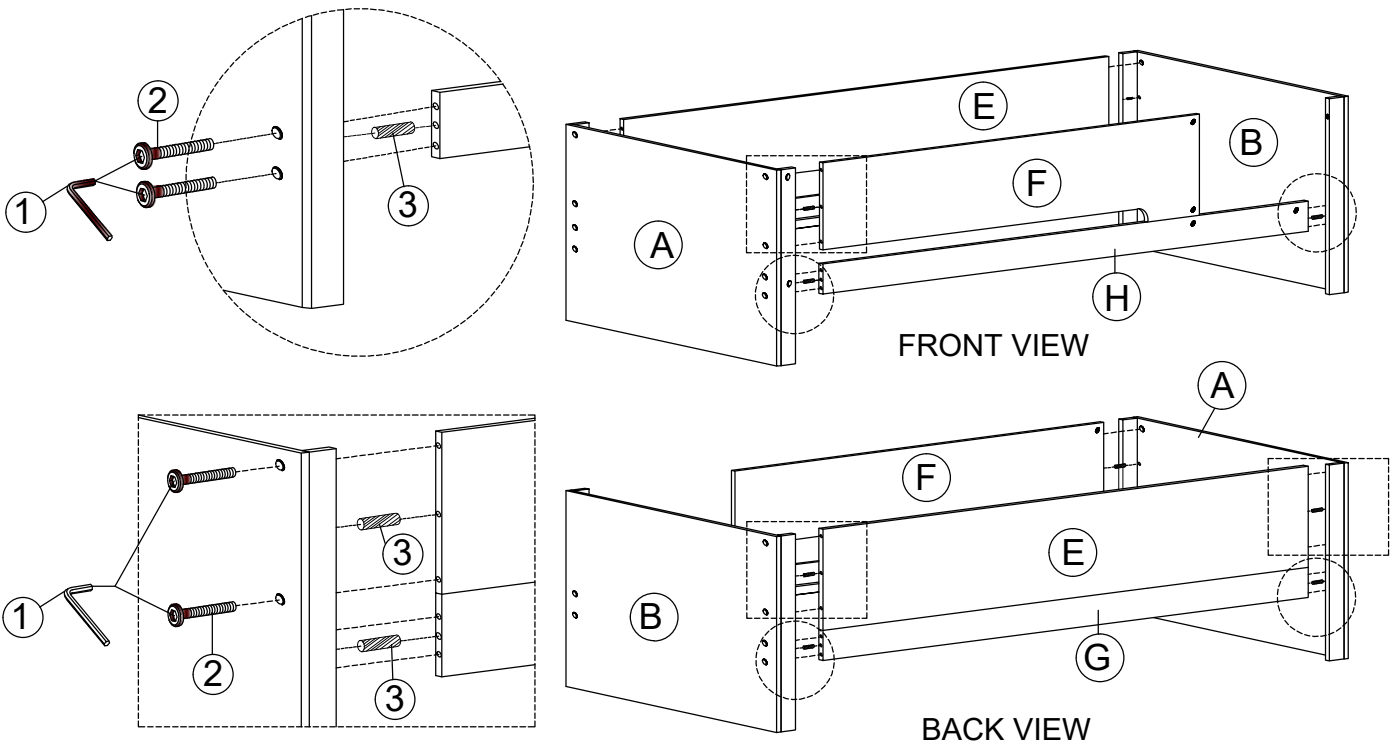
Thank you for purchasing this quality product. Be sure to check all packing material carefully for small parts which may have come loose inside the carton during shipment. Identify and count all parts and compare with the parts list below. Read all instructions before assembling bed and keep these instructions for future reference.

## Assembly Instructions:

**STEP 1** Attach Front and back Side rails ( H ),( G ) to the Bottom Bed End ( C )



**STEP 2** Attach Back Side rail ( G ), Front Side rails(H), Long Guardrail( E ) and Short Guardrail ( F ) to Left Upper Bed End ( A ) and Right Upper Bed End ( B )



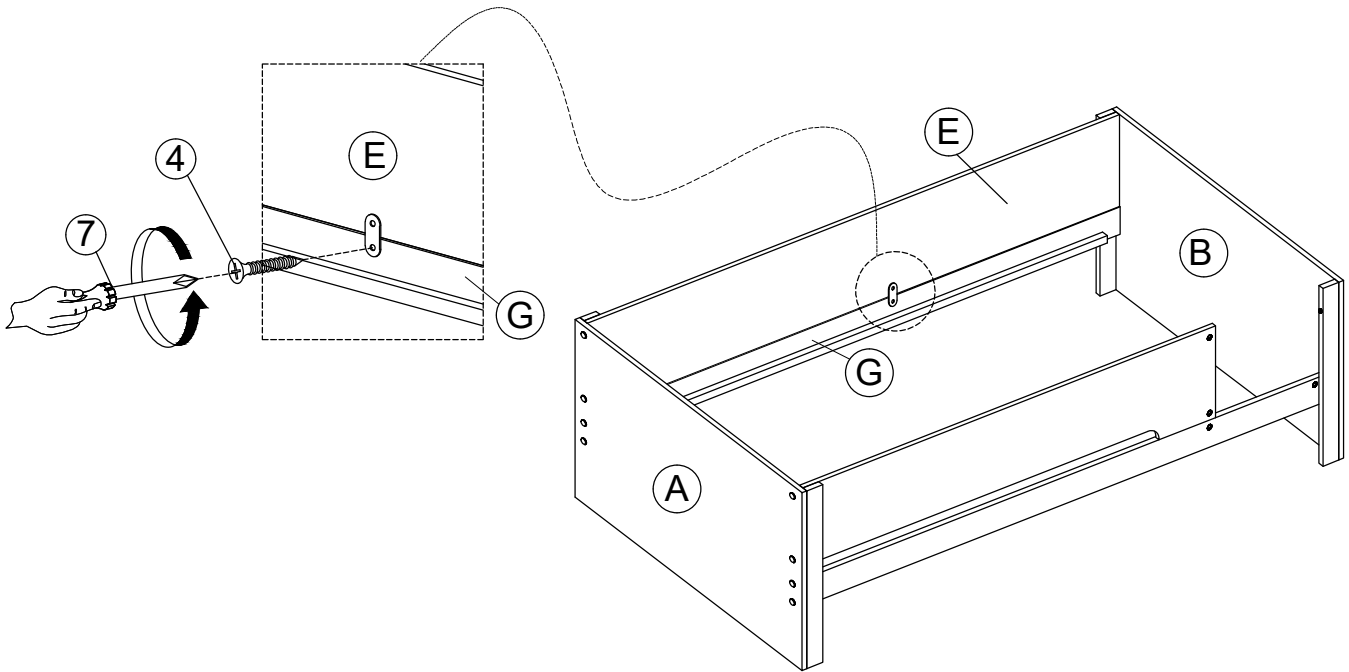
DO NOT USE SUBSTITUTE PARTS. PLEASE CONTACT YOUR RETAIL STORE OR [WWW.ROOMSTOGO.COM](http://WWW.ROOMSTOGO.COM) WITH SERVICE OR PARTS REPLACEMENT REQUEST.

This product is manufactured by (GLOB) for **ROOMS TO GO** | **KIDS**

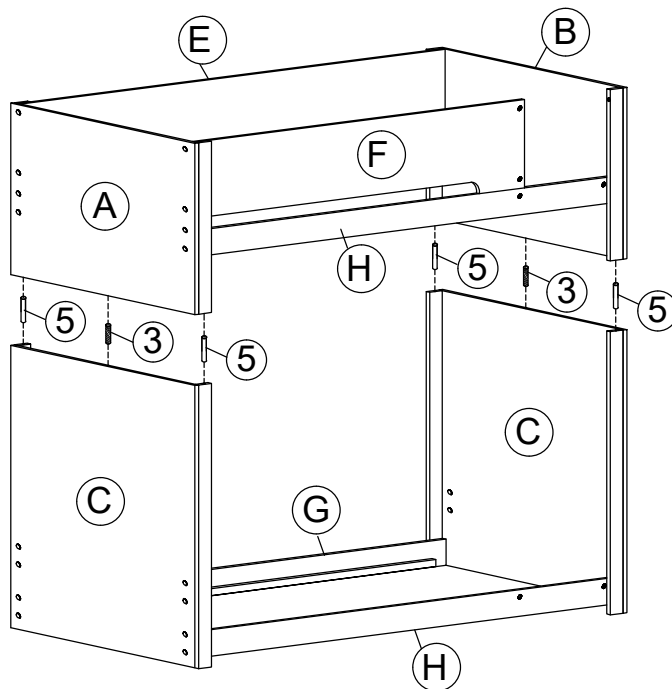
Thank you for purchasing this quality product. Be sure to check all packing material carefully for small parts which may have come loose inside the carton during shipment. Identify and count all parts and compare with the parts list below. Read all instructions before assembling bed and keep these instructions for future reference.

## Assembly Instructions:

**STEP 3** Attach the Metal Plate on the Long Guardrail ( E ) to the Back Side rail ( G )



**STEP 5** Set up Upper Bed to Bottom Bed. Use Metal Pin ( 5 ) and Wood dowel ( 3 ) as shown



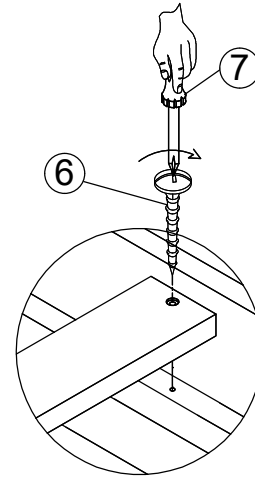
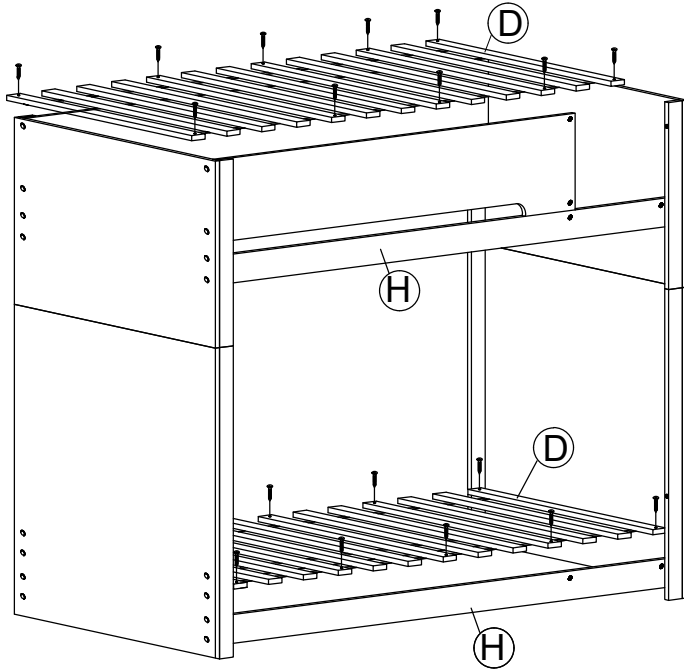
DO NOT USE SUBSTITUTE PARTS. PLEASE CONTACT YOUR RETAIL STORE OR [WWW.ROOMSTOGO.COM](http://WWW.ROOMSTOGO.COM) WITH SERVICE OR PARTS REPLACEMENT REQUEST.

This product is manufactured by (GLOB) for **ROOMS TO GO® | KIDS**

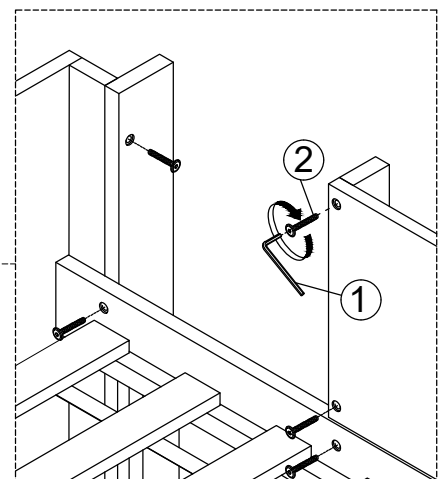
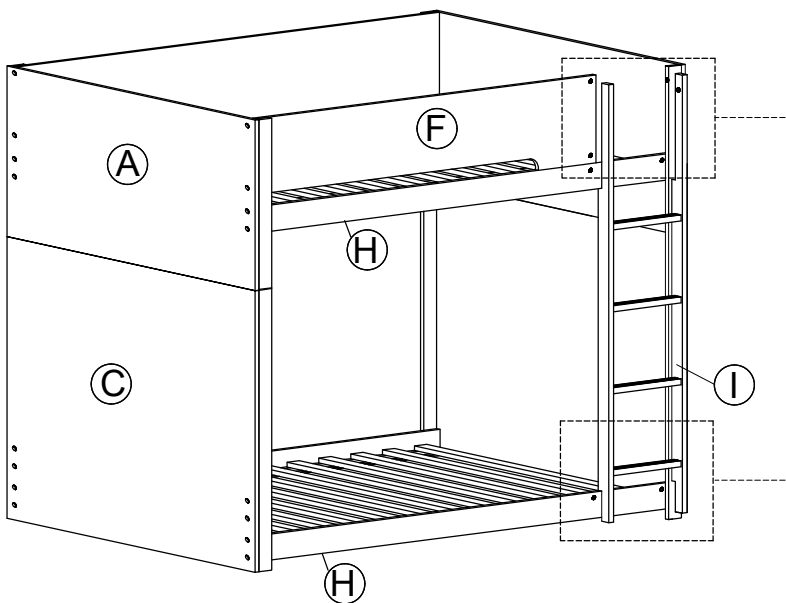
Thank you for purchasing this quality product. Be sure to check all packing material carefully for small parts which may have come loose inside the carton during shipment. Identify and count all parts and compare with the parts list below. Read all instructions before assembling bed and keep these instructions for future reference.

## Assembly Instructions:

### STEP 5 Attach Slats ( D ) to Front and back Side rails ( H ), ( G )



### STEP 6 Attach Ladder ( I ) to the Bunk Bed



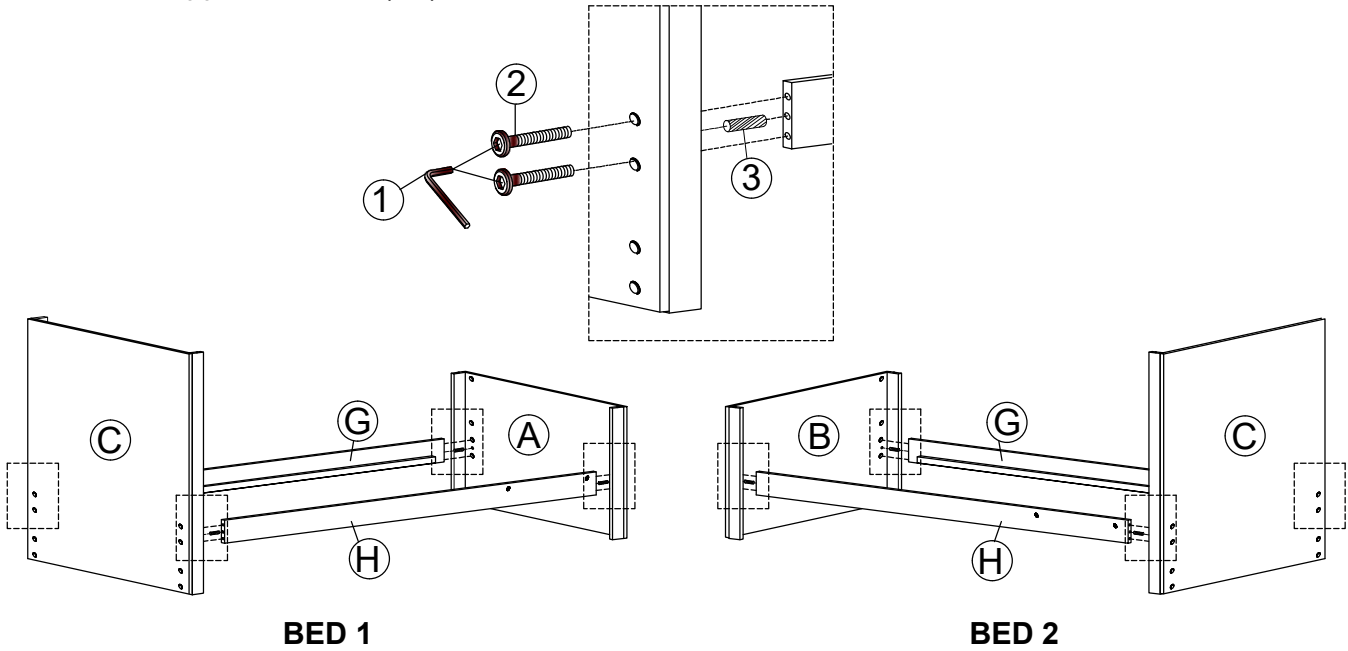
DO NOT USE SUBSTITUTE PARTS. PLEASE CONTACT YOUR RETAIL STORE OR [WWW.ROOMSTOGO.COM](http://WWW.ROOMSTOGO.COM) WITH SERVICE OR PARTS REPLACEMENT REQUEST.

This product is manufactured by (GLOB) for **ROOMS TO GO® | KIDS**

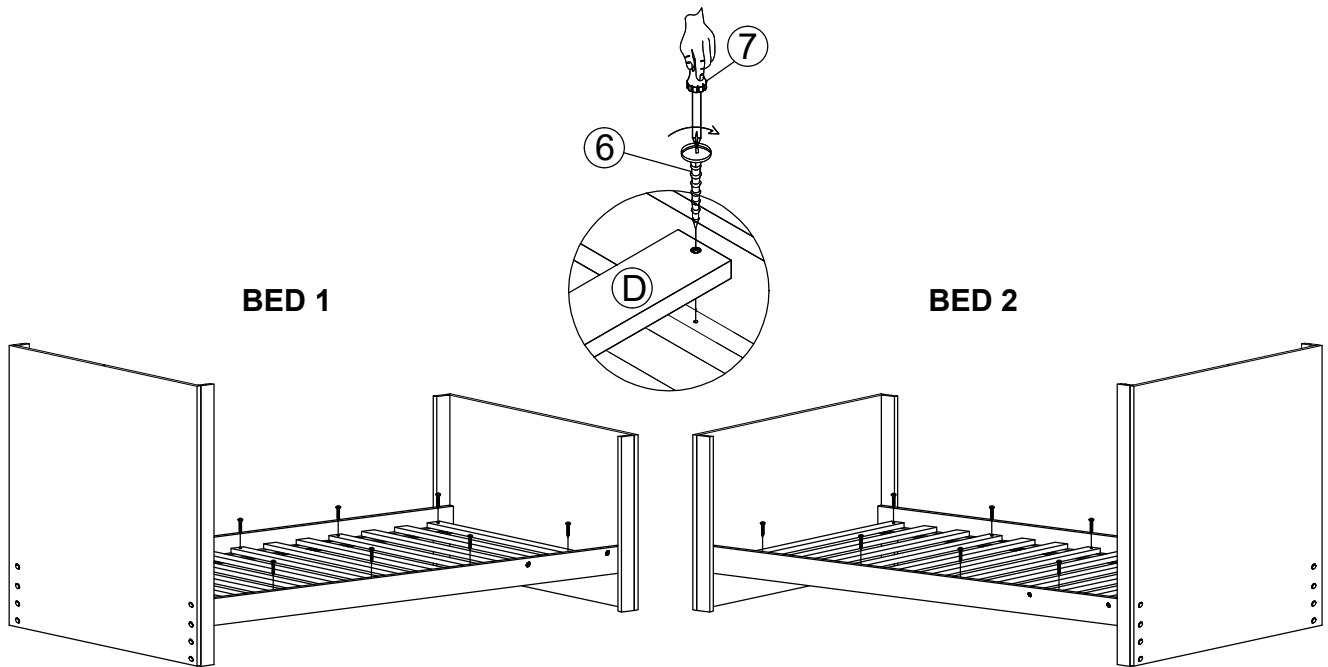
Thank you for purchasing this quality product. Be sure to check all packing material carefully for small parts which may have come loose inside the carton during shipment. Identify and count all parts and compare with the parts list below. Read all instructions before assembling bed and keep these instructions for future reference.

## Assembly Instructions:

- STEP 1** BED 1: Attach Front and back Side rails ( H ), ( G ) to the Bottom Bed End ( C ) and Upper Bed End ( A )  
BED 2: Attach Front and back Side rails ( H ), ( G ) to the Bottom Bed End ( C ) and Upper Bed End ( B )



- STEP 2** Attach Slats ( D ) to Front and back Side rails ( H ), ( G )



DO NOT USE SUBSTITUTE PARTS. PLEASE CONTACT YOUR RETAIL STORE OR [WWW.ROOMSTOGO.COM](http://WWW.ROOMSTOGO.COM) WITH SERVICE OR PARTS REPLACEMENT REQUEST.

This product is manufactured by (GLOB) for **ROOMS TO GO® | KIDS**